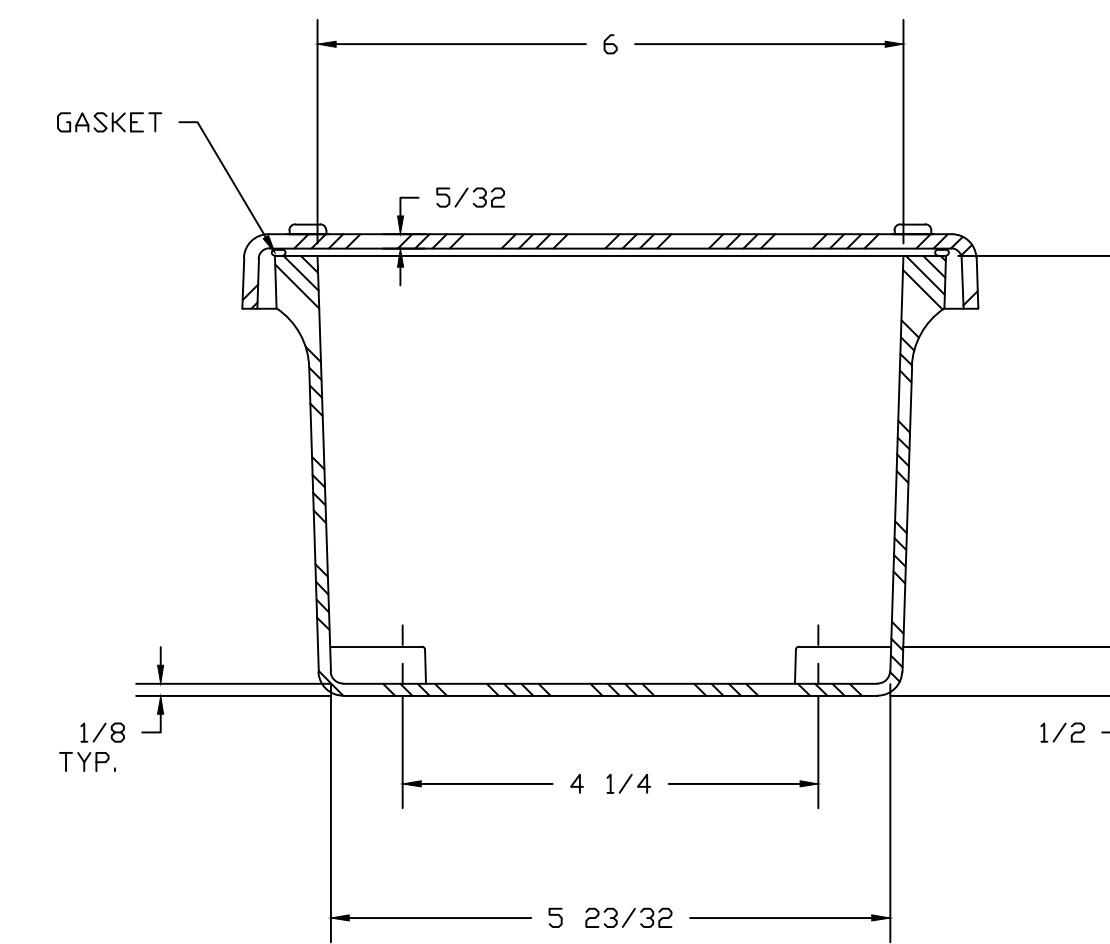
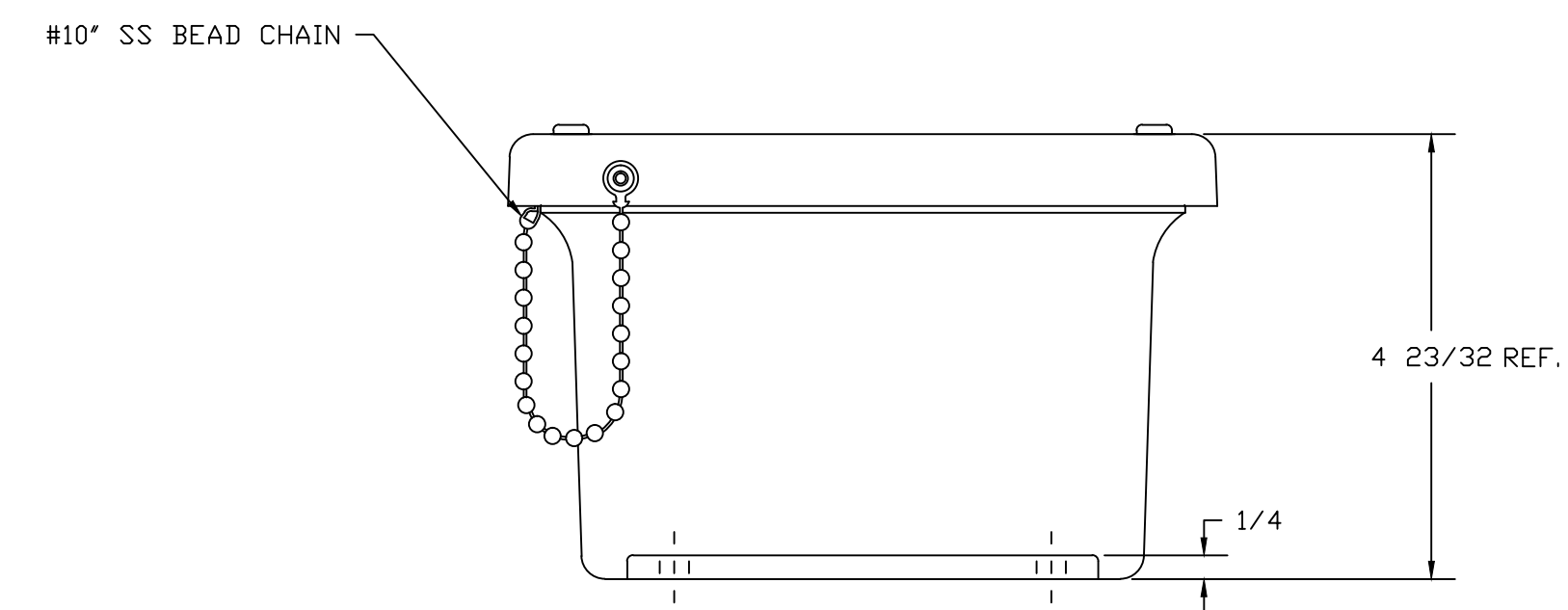



SECTION B-B



SECTION A-A

NOTES:

COLOR GLACIER GRAY RR1013				TOLERANCES UNLESS SPECIFIED		DECIMAL ±.010	FRACTIONAL ± 1/32
NEMA 4X							
MATERIAL		DR. BY	DATE	 <b>STAHLIN ENCLOSURES</b> DIVISION OF ROBROY INDUSTRIES			
F.R. POLYESTER FIBERGLASS		GF	8/20/92				
LET.	REVISION RECORD	DATE	BY	CHD.	CHK. BY	DATE	BELDING, MICHIGAN 48809
					APD. BY	DATE	CUSTOMER
					SCALE		AutoCAD DWG. FILE
					DO NOT SCALE		J606W
PART NAME ENCLOSURE					PART NO. J606W		