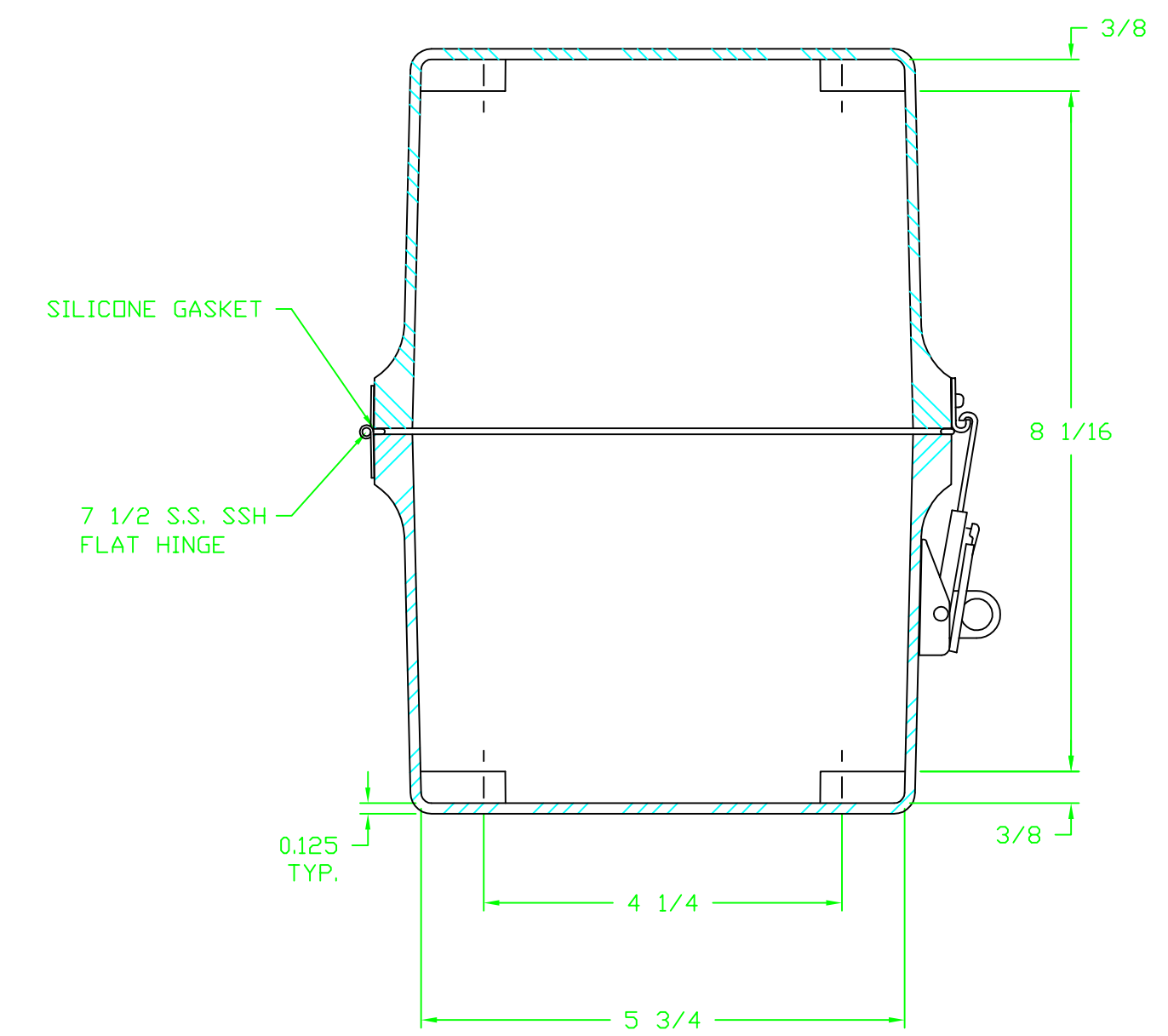
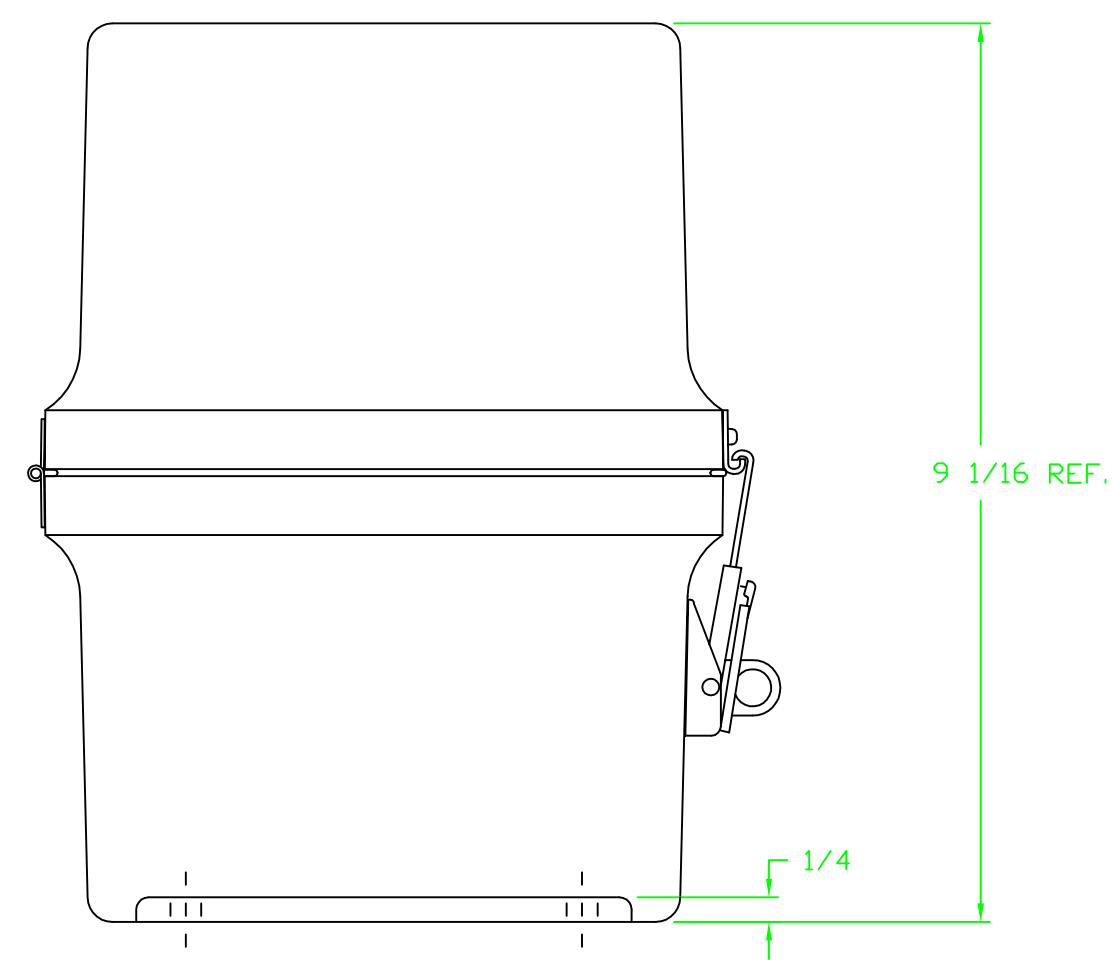



SECTION B-B



SECTION A-A

NOTES:

NEMA 4X		TOLERANCES UNLESS SPECIFIED		DECIMAL ± .010	FRACTIONAL ± 1/32
COLOR GLACIER GRAY RR1013					
MATERIAL F.R. POLYESTER FIBRGLASS		DR. BY SH	DATE 6/21/91	 <b>STAHLIN ENCLOSURES</b> DIVISION OF ROBROY INDUSTRIES	
LET.	REVISION RECORD	DATE	BY		
		APD. BY	DATE	CUSTOMER	
		SCALE DO NOT SCALE		PART NAME ENCLOSURE	PART NO. JB068SSH

BELDING, MICHIGAN 48809  
AutoCAD DWG FILE JB068SSH