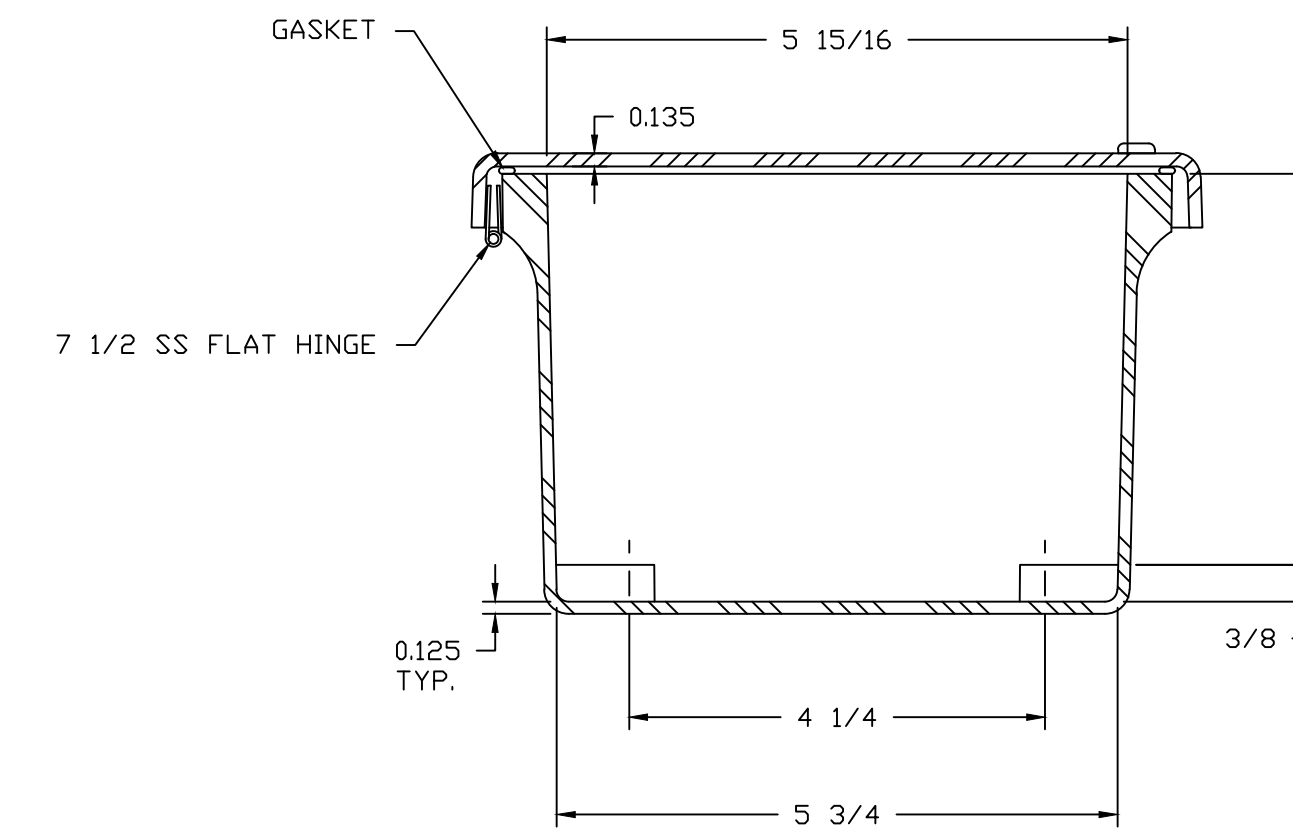
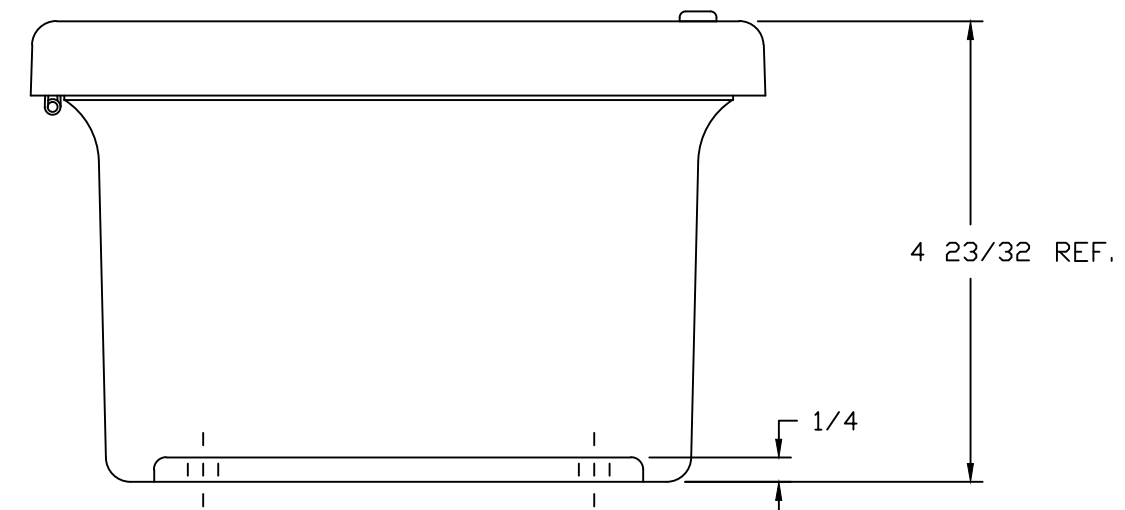



SECTION B-B



SECTION A-A

NOTES:

NEMA 4X		TOLERANCES UNLESS SPECIFIED		DECIMAL $\pm .010$	FRACTIONAL $\pm 1/32$
COLOR GLACIER GRAY RR1013					
MATERIAL	F.R. POLYESTER FIBERGLASS	DR. BY	DATE		
LET.	REVISION RECORD	GF	6/25/91	BELDING, MICHIGAN 48809	
	DATE	BY	CHD.	CHK. BY	DATE
				APD. BY	DATE
				CUSTOMER	
				AutoCAD DWG. FILE J806HW	
				SCALE	PART NAME
				DO NOT SCALE	ENCLOSURE
				PART NO.	J806HW