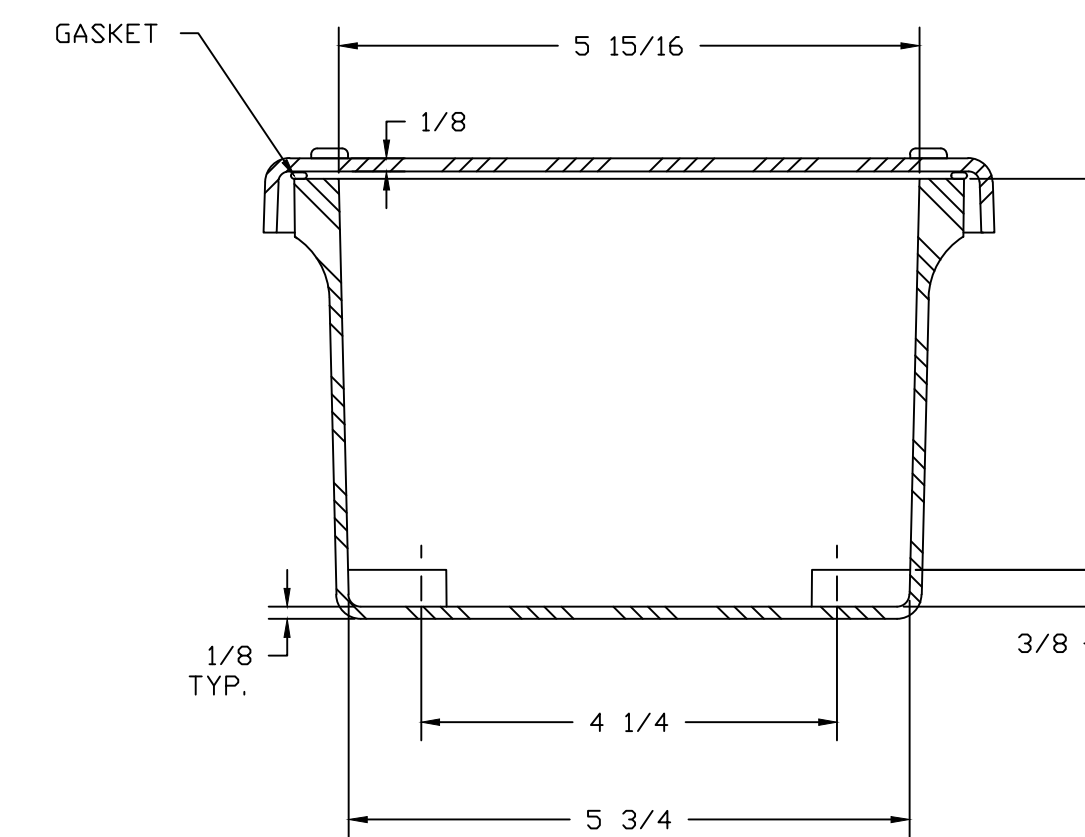
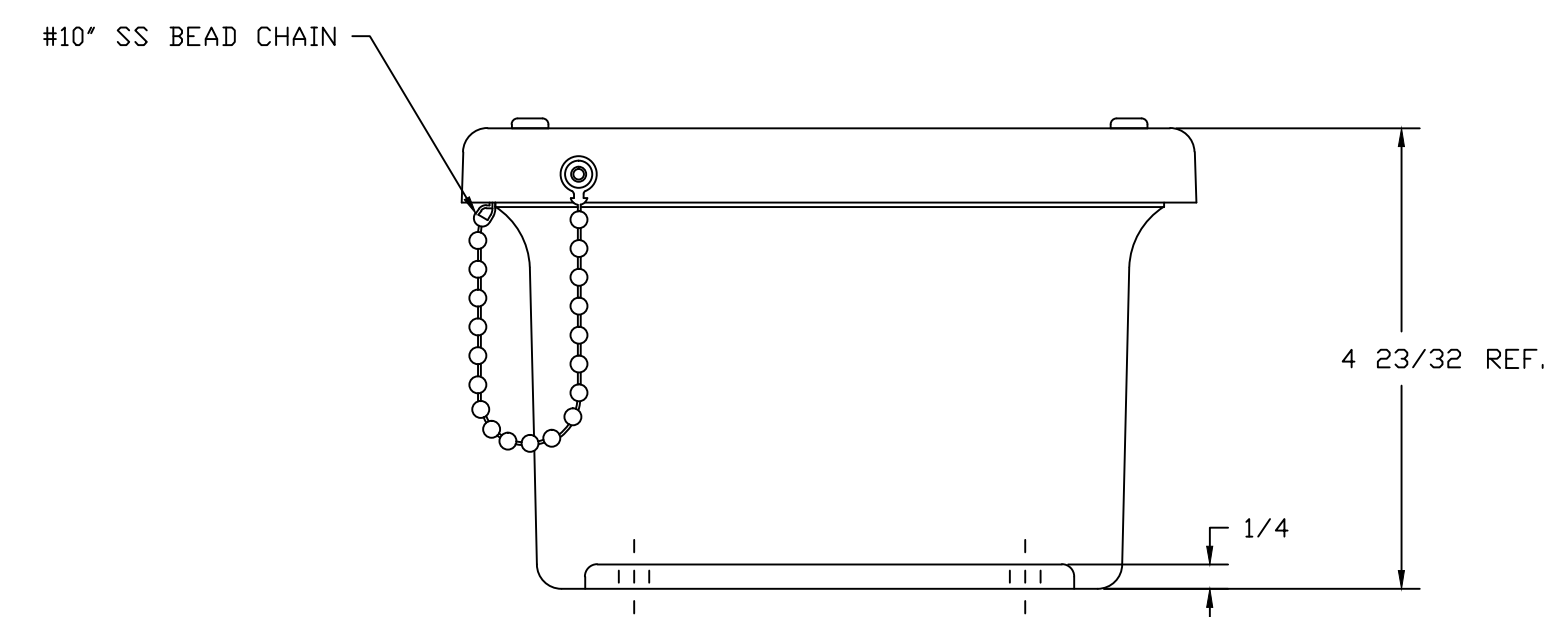



SECTION B-B



SECTION A-A

NOTES:

NEMA 4X		TOLERANCES UNLESS SPECIFIED		DECIMAL ± .010	FRACTIONAL ± 1/32
COLDR. GLACIER GRAY RR3013					
MATERIAL	F.R. POLYESTER FIBERGLASS	DR. BY	DATE	 BELDING, MICHIGAN 48809	
LET.	REVISION RECORD	LB	8/12/10		
		CHK. BY	DATE	AutoCAD DWG. FILE	
		APD. BY	DATE	CUSTOMER	
		SCALE	DO NOT SCALE	PART NAME	PART NO.
				ENCLOSURE	J806W