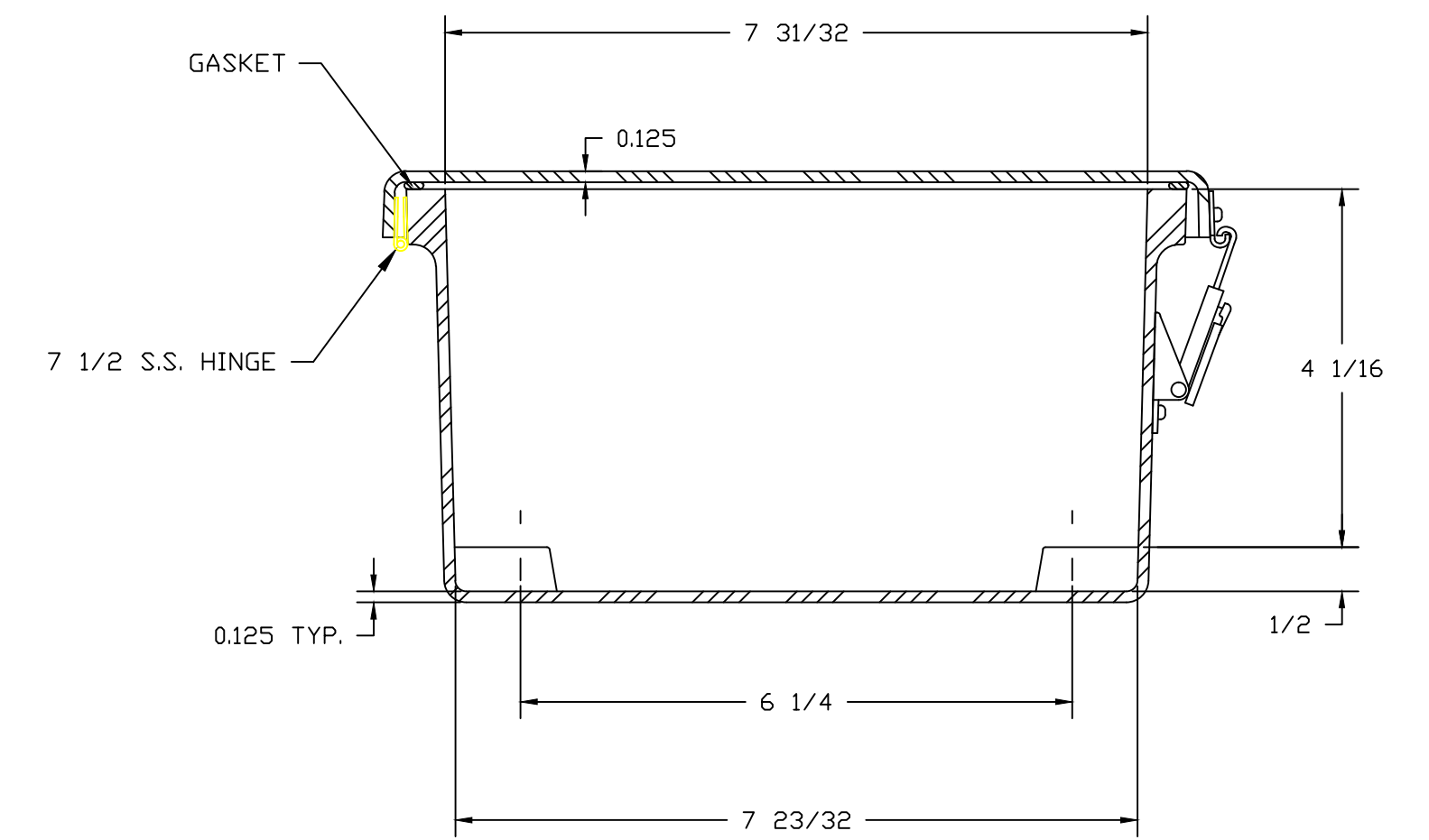
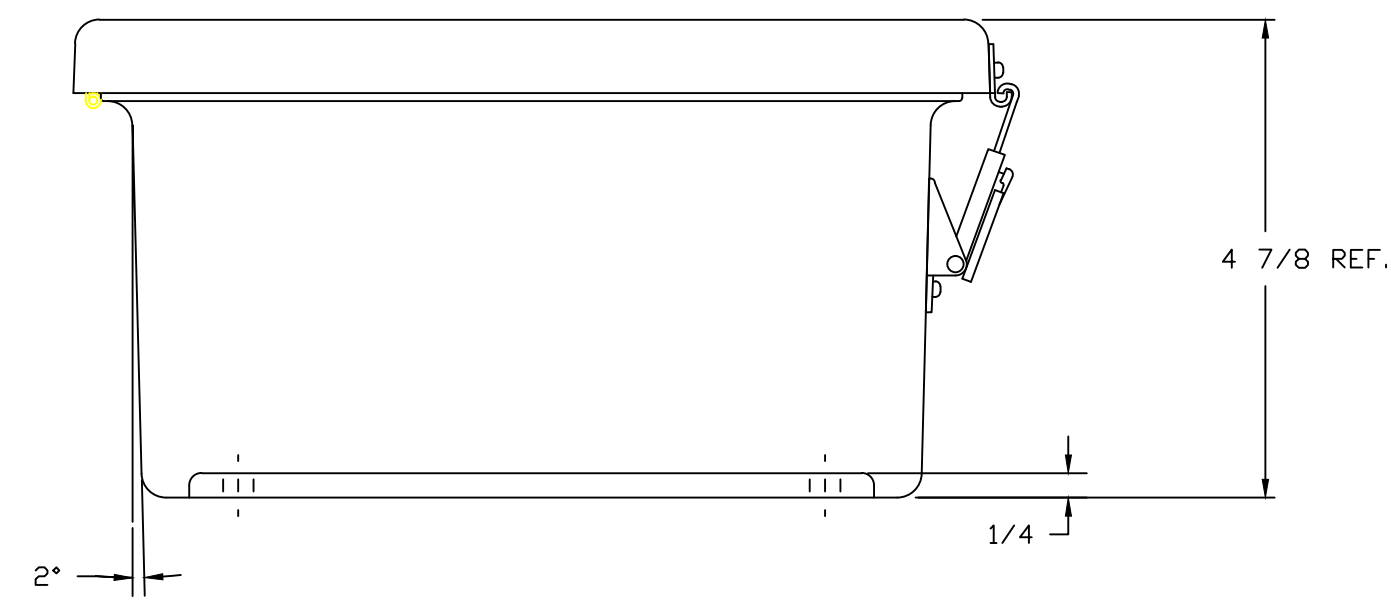



SECTION B-B



SECTION A-A

NOTES:

COLOR: GLACIER GRAY RR1013				TOLERANCES UNLESS SPECIFIED		DECIMAL ± .010	FRACTIONAL ± 1/32
MATERIAL: NEMA 1, 3R, 4X, 6P, 12				DR. BY: ZJB	DATE: 3/2/04	 BELDING, MICHIGAN 48809 DIVISION OF ROBOBY INDUSTRIES	
LET.	REVISION RECORD	DATE	BY	CHK. BY	DATE		
				APD. BY	DATE	CUSTOMER	
				SCALE: DO NOT SCALE		PART NAME: ENCLOSURE	PART NO.: J808HLL

AutoCAD DWG. FILE: J808HLL