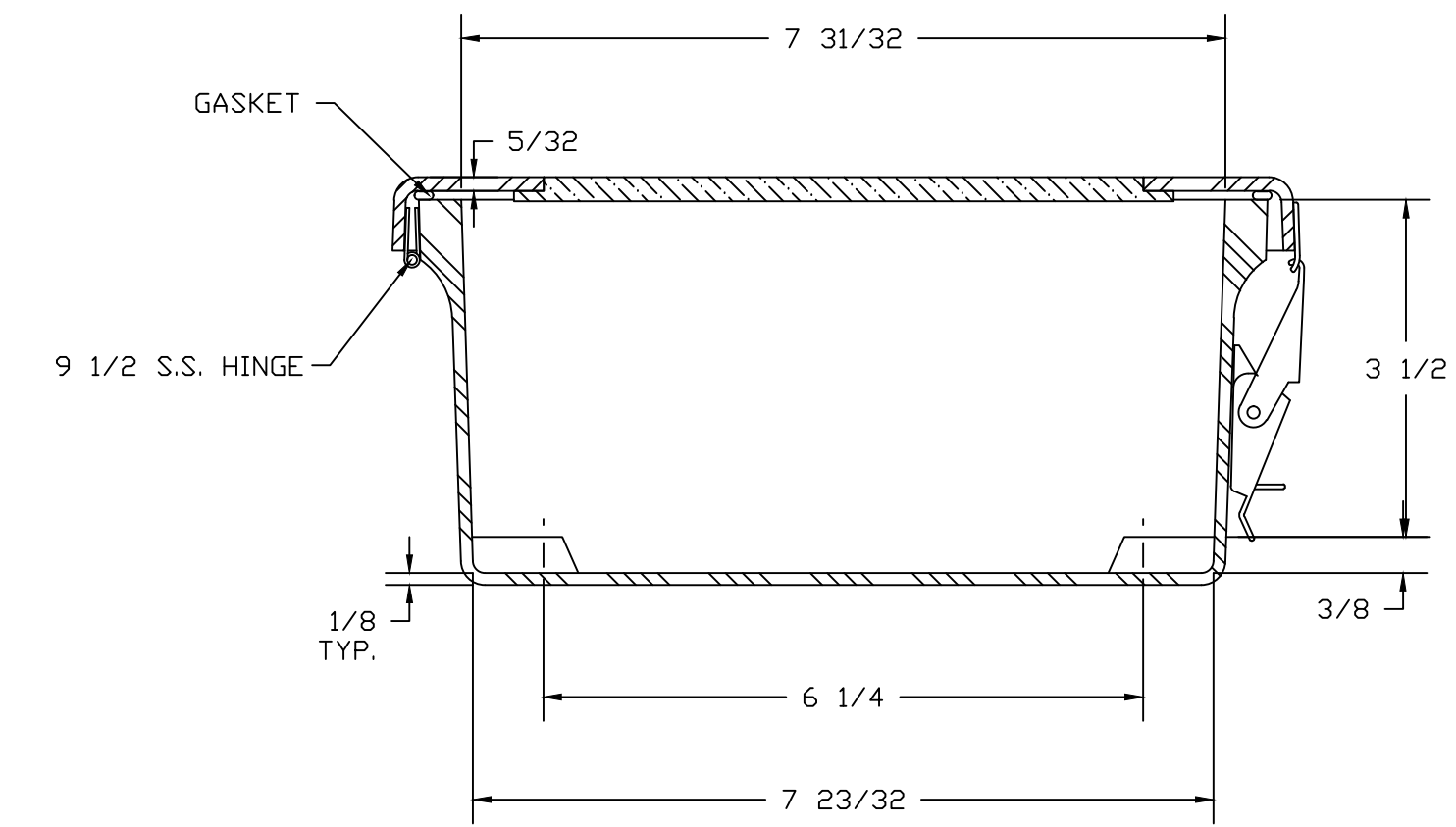
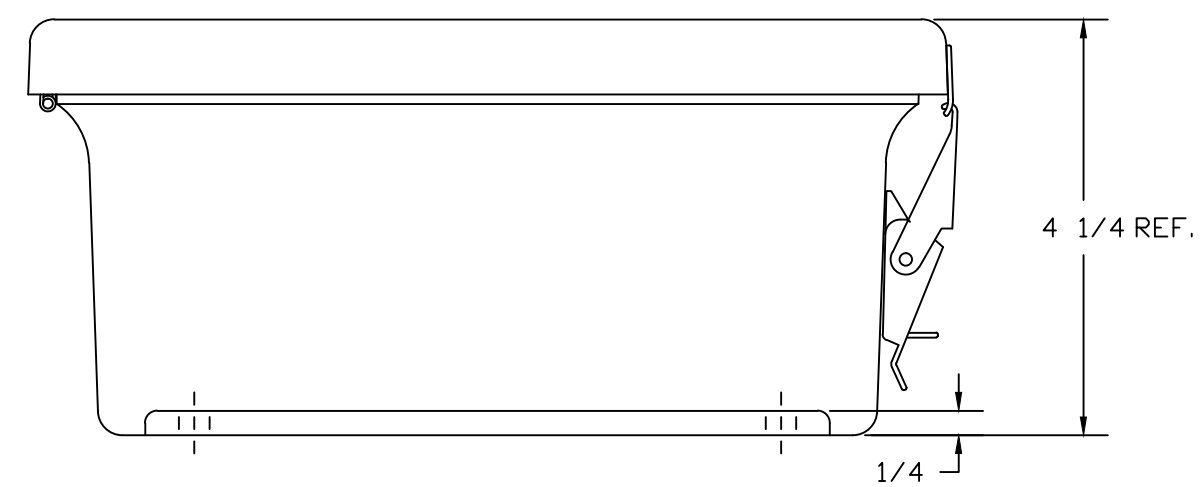


SECTION B-B



SECTION A-A

NOTES:

| | | | | | |
|----------------------------|---------------------------|-----------------------------|----|----------------|-------------------|
| NEMA 4X | | TOLERANCES UNLESS SPECIFIED | | DECIMAL ± .010 | FRACTIONAL ± 1/32 |
| COLOR: GLACIER GRAY RR1013 | | | | | |
| MATERIAL | F.R. POLYESTER FIBERGLASS | DR. BY | SH | DATE | 8/21/91 |
| LET. | REVISION RECORD | DATE | BY | CHD. | CHK. BY |
| | | | | | DATE |
| | | | | | APD. BY |
| | | | | | DATE |
| | | | | | CUSTOMER |
| | | | | | AutoCAD DWG. FILE |
| | | | | | JW1008HPL |
| | | | | | SCALE |
| | | | | | DO NOT SCALE |
| | | | | | PART NAME |
| | | | | | ENCLOSURE |
| | | | | | PART NO. |
| | | | | | JW1008HPL |

