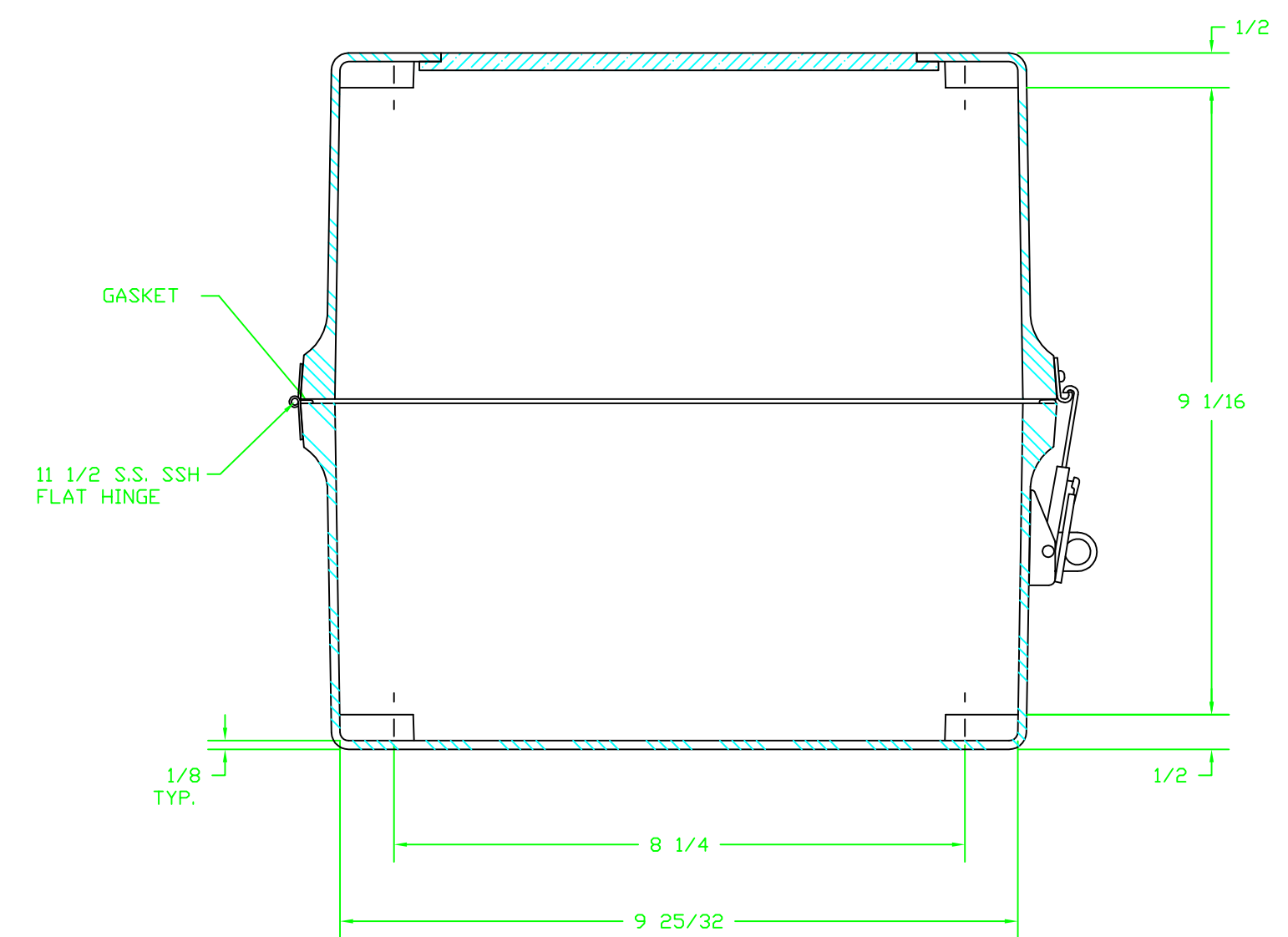
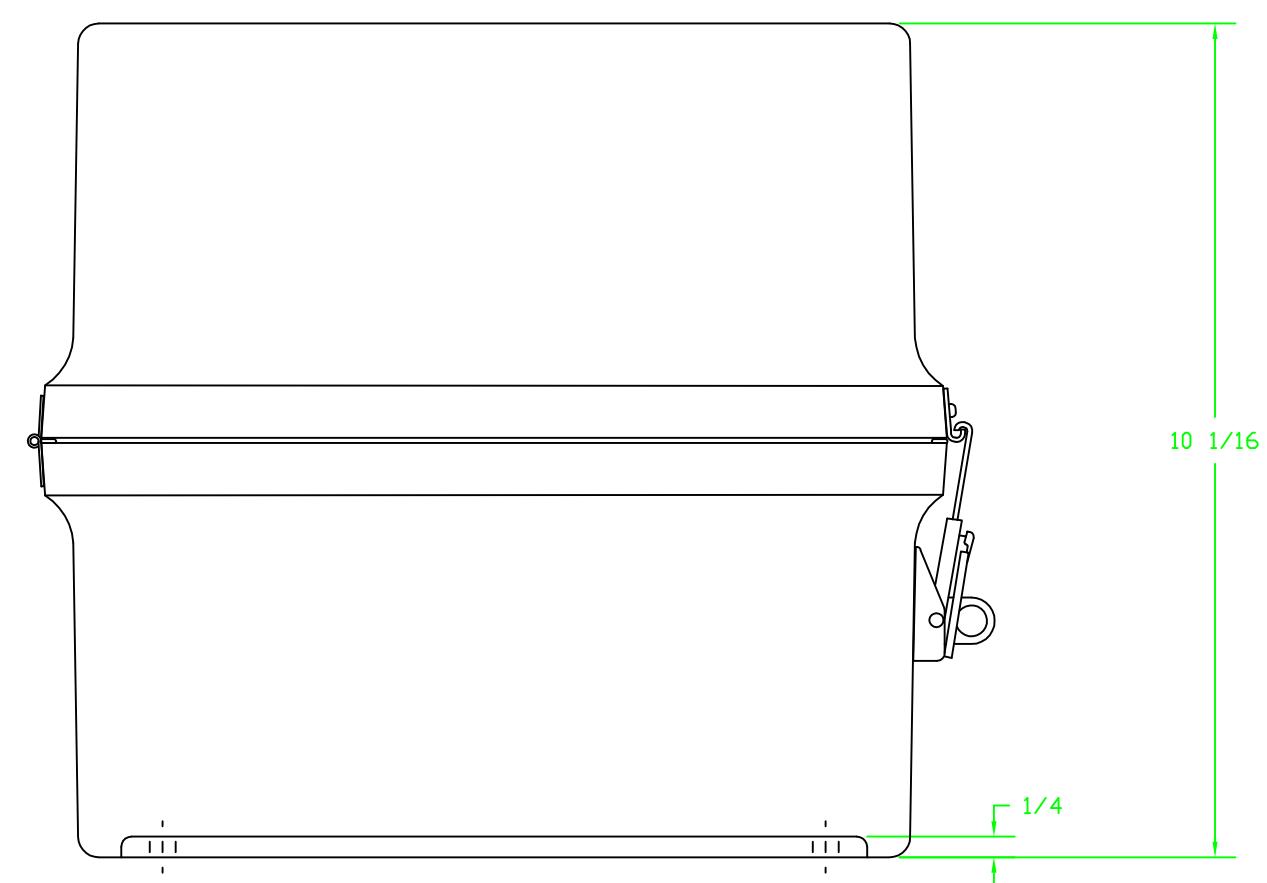



SECTION B-B



SECTION A-A

NOTES:

NEMA 4X		TOLERANCES UNLESS SPECIFIED		DECIMAL ±.010	FRACTIONAL ± 1/32
COLOR GLACIER GRAY RR1013		MATERIAL F.R. POLYESTER FIBERGLASS		DR. BY SH 6/19/91	
LET.	REVISION RECORD	DATE	BY	CHD.	CHK. BY DATE
					APD. BY DATE
SCALE DO NOT SCALE		PART NAME ENCLOSURE		PART NO. JW12101SSH	



STAHLIN
ENCLOSURES
DIVISION OF ROBROY INDUSTRIES

BELDING, MICHIGAN 48809

AutoCAD DWG FILE JW12101SSH