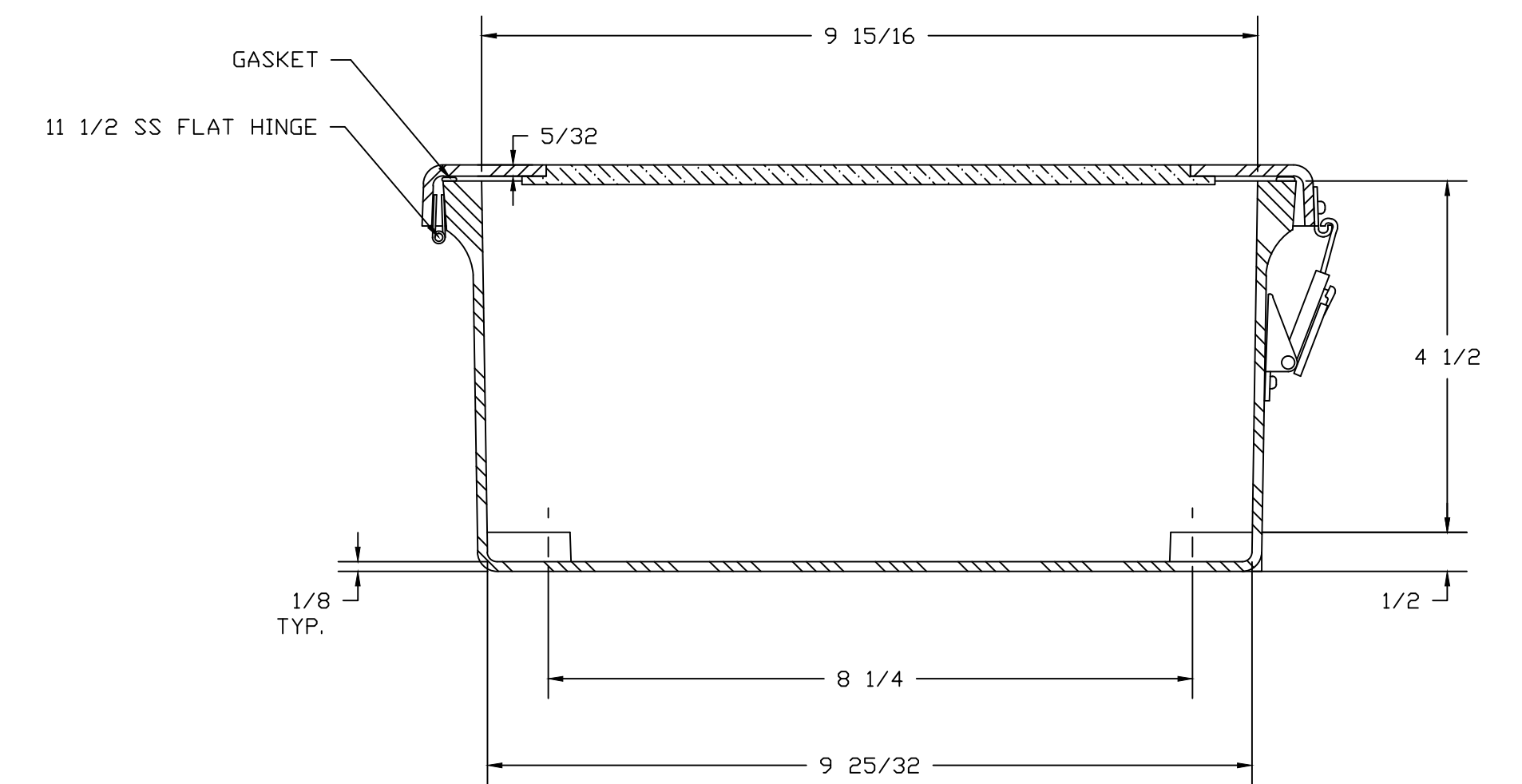
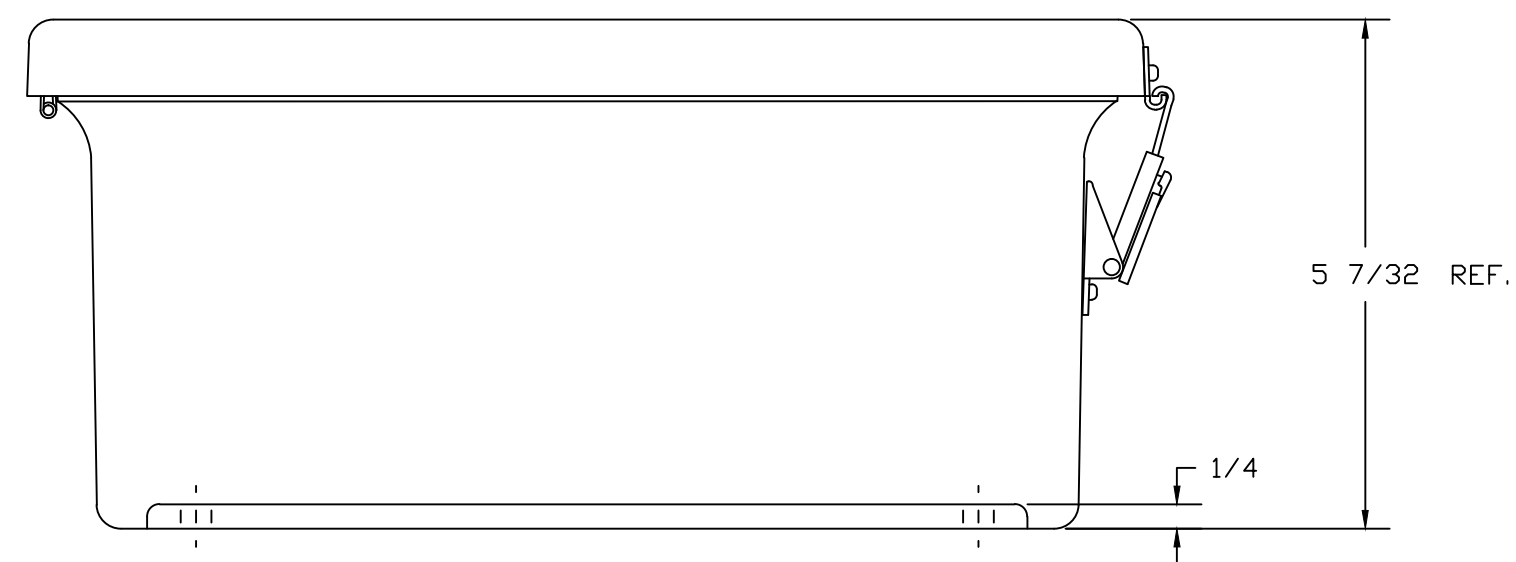



SECTION B-B



SECTION A-A

NEMA 4X		TOLERANCES UNLESS SPECIFIED		DECIMAL ± .010	FRACTIONAL ± 1/32
COLOR GLACIER GRAY RR1013					
MATERIAL	F.R. POLYESTER FIBERGLASS	DR. BY SH	DATE	8/13/91	
LET.	REVISION RECORD	DATE	BY	CHK. BY	DATE
				APD. BY	DATE
		SCALE DO NOT SCALE		PART NAME ENCLOSURE	PART NO. JW1210HLL



STAHLIN
ENCLOSURES
DIVISION OF ROBOBY INDUSTRIES

BELDING, MICHIGAN 48809

AutoCAD DWG. FILE JW1210HLL