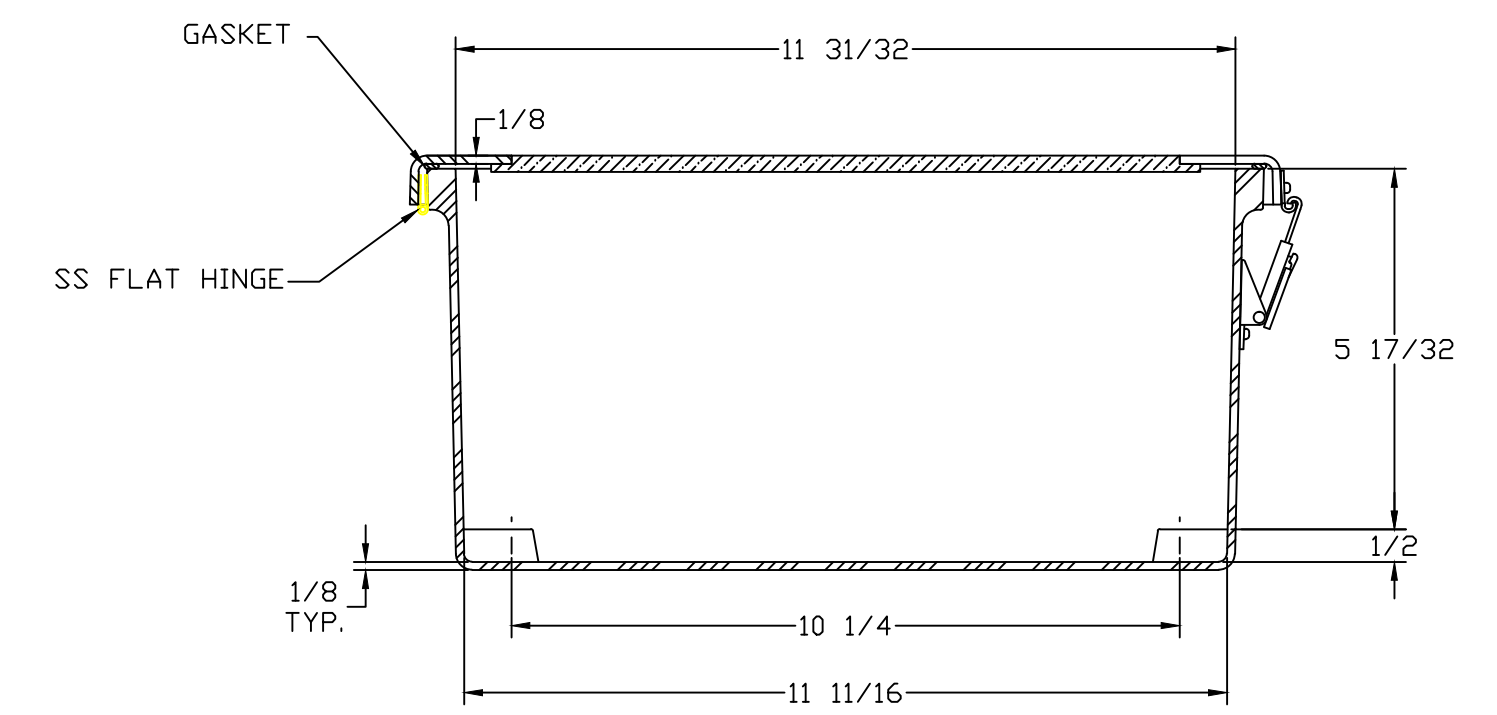
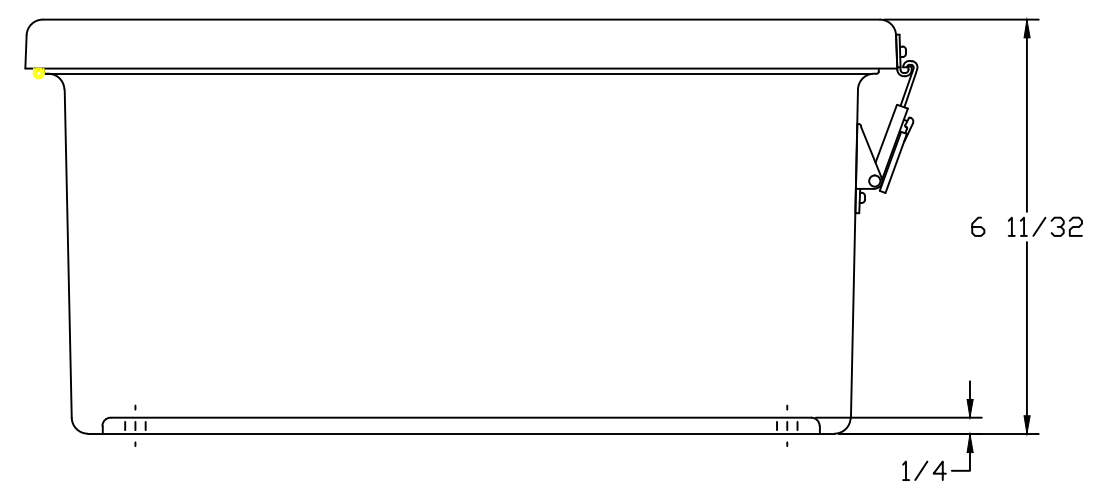


SECTION B-B



SECTION A-A

NOTES:

COLOR: GLACIER GRAY RR3013				TOLERANCES UNLESS SPECIFIED		DECIMAL ± .010	FRACTIONAL ± 1/32
NEMA 1, 3R, 4X, 6P, 12				DR. BY ZJB		DATE 7/3/04	
MATERIAL F.R. POLYESTER FIBERGLASS				CHK. BY	DATE	STAHLIN ENCLOSURES	
REVISION RECORD				DATE	BY	CHD.	DIVISION OF ROBOBY INDUSTRIES
LET.	DATE	BY	CHD.	APD. BY	DATE	CUSTOMER	BELDING, MICHIGAN 48809
				SCALE	PART NAME	PART NO.	
				DD NDT SCALE	ENCLOSURE	JW1212HLL	

Autocad DWG FILE JW1212HLL