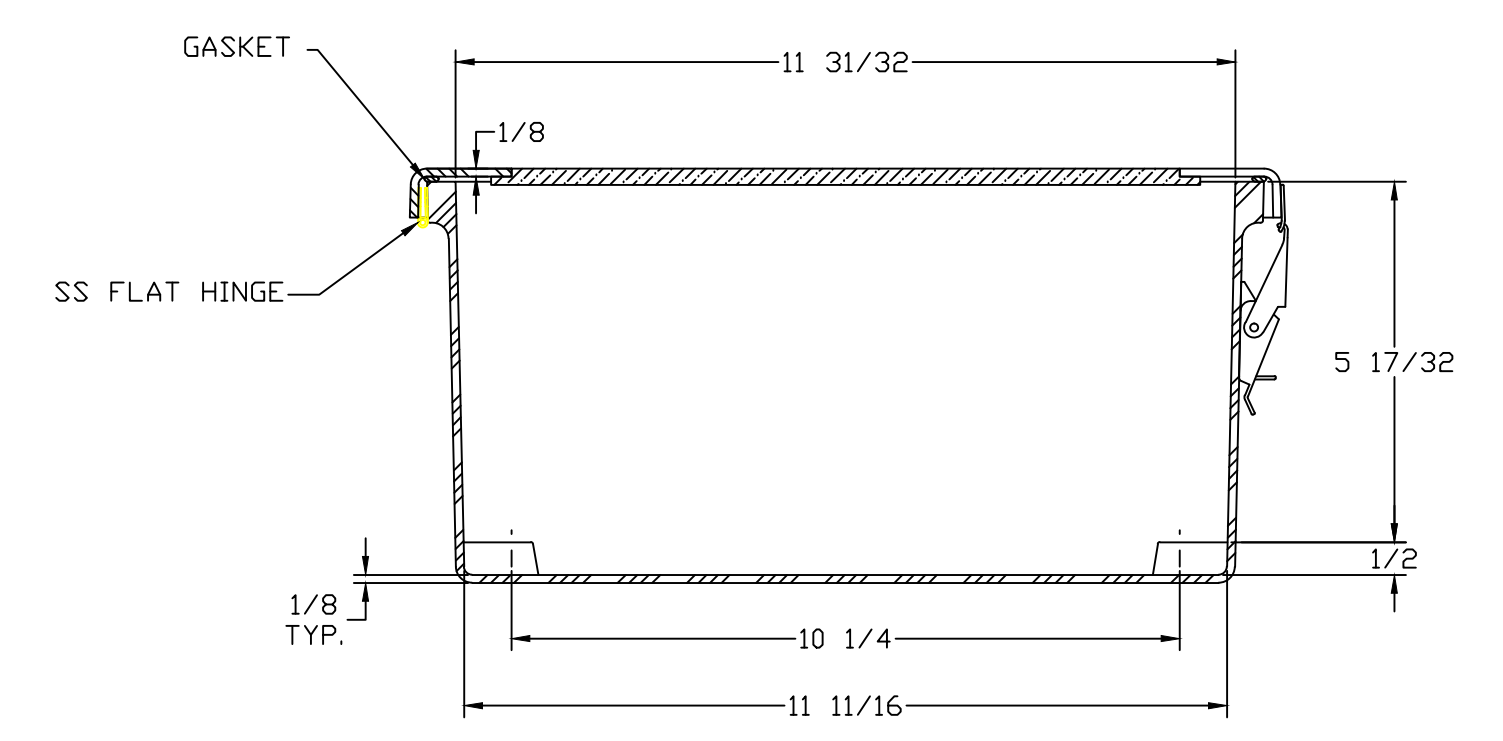
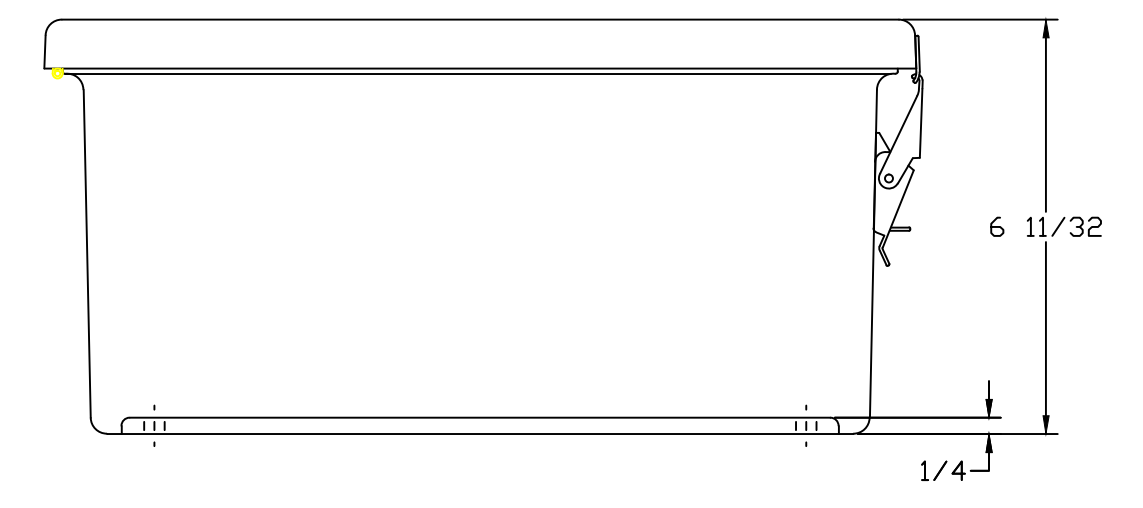



SECTION B-B



SECTION A-A

COLOR: GLACIER GRAY RR3013				TOLERANCES UNLESS SPECIFIED		DECIMAL ± .010	FRACTIONAL ± 1/32
NEMA 1, 3R, 4X, 6P, 12							
MATERIAL		DR. BY	DATE	 STAHLIN ENCLLOSURES DIVISION OF ROBROY INDUSTRIES			
F.R. POLYESTER FIBERGLASS		ZJB	7/3/04				
LET.	REVISION RECORD	DATE	BY	CHD.	CHK. BY	DATE	
					APD. BY	DATE	CUSTOMER
				SCALE		PART NAME	PART NO.
				DD NDT SCALE		ENCLOSURE	JW1212HPL

BELDING, MICHIGAN 48809

Autocad DWG FILE JW1212HPL