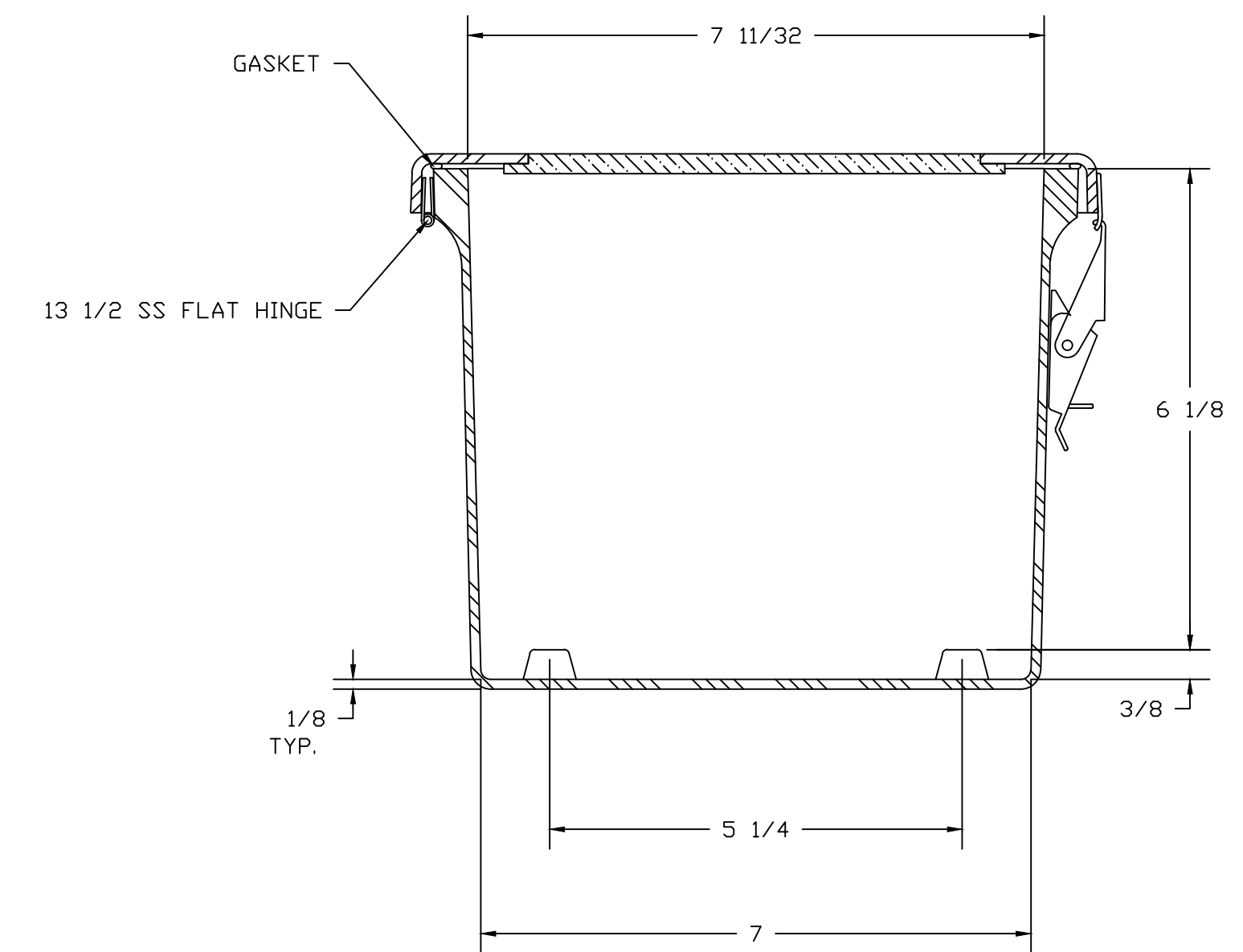
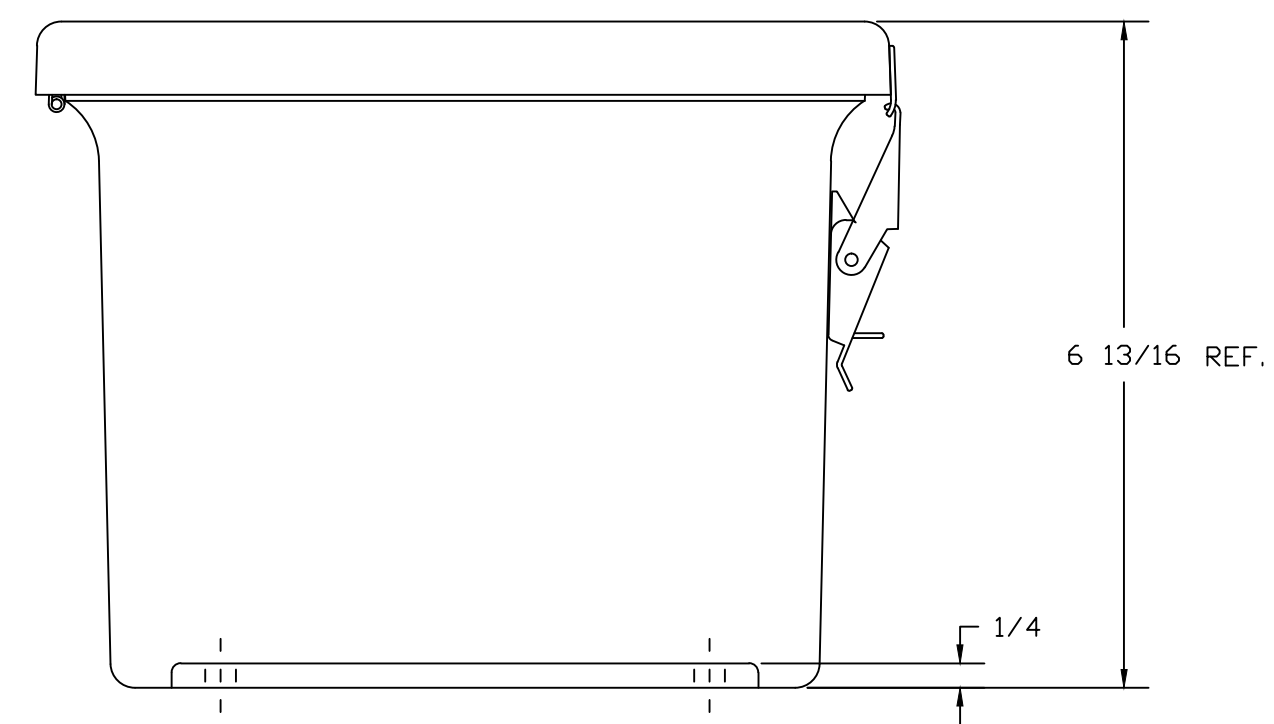



SECTION B-B



SECTION A-A

NEMA 4X		TOLERANCES UNLESS SPECIFIED		DECIMAL ±.010	FRACTIONAL ± 1/32
COLOR GLACIER GRAY RR1013					
MATERIAL	F.R. POLYESTER FIBERGLASS	DR. BY SH	DATE	8/16/91	
LET.	REVISION RECORD	DATE	BY	CHK. BY	DATE
				APD. BY	DATE
		SCALE		PART NAME	
		DO NOT SCALE		ENCLOSURE	
		PART NO.		JW1407HPL	



STAHLIN
ENCLOSURES
DIVISION OF ROBROY INDUSTRIES

BELDING, MICHIGAN
48809

AutoCAD DWG. FILE
JW1407HPL