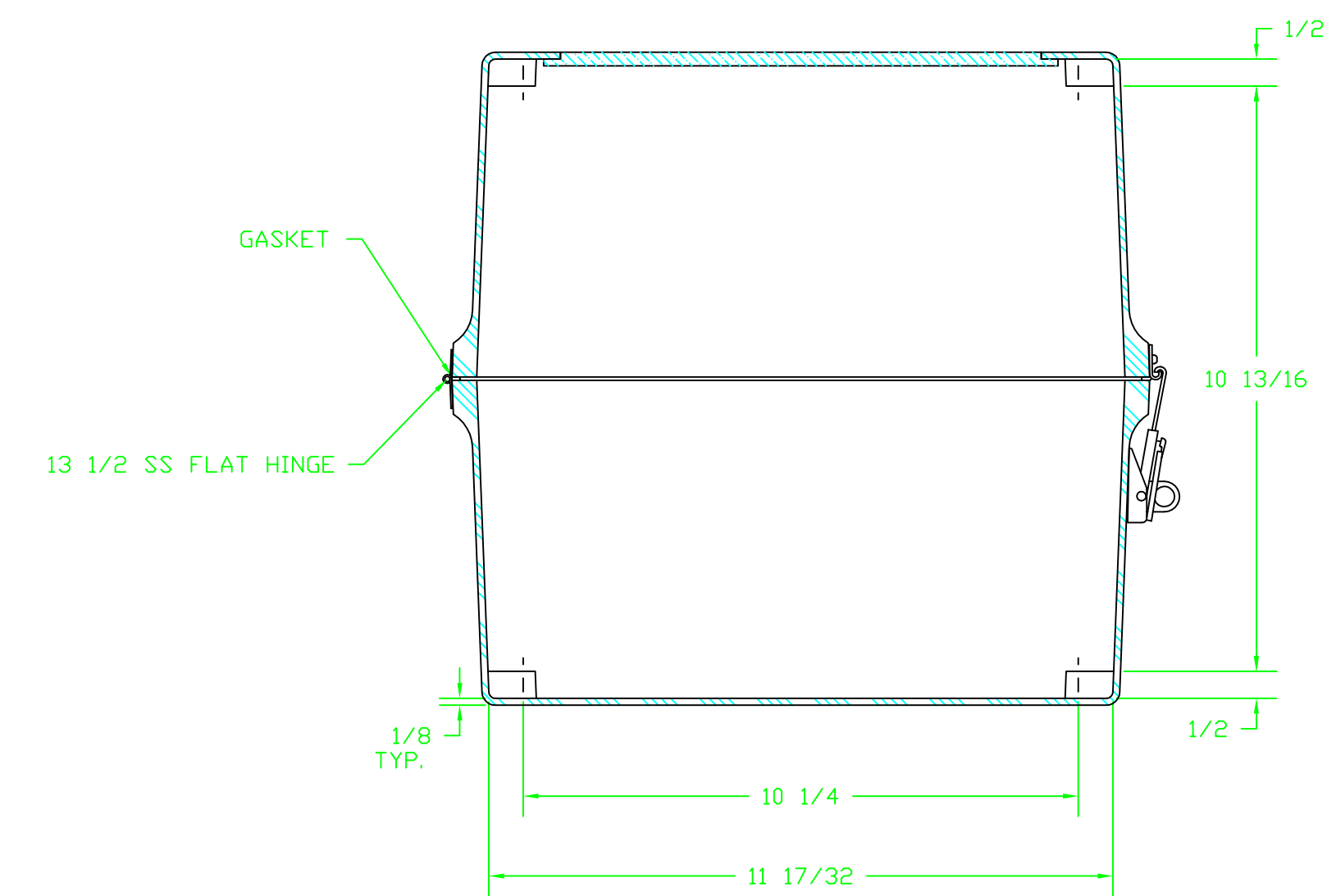
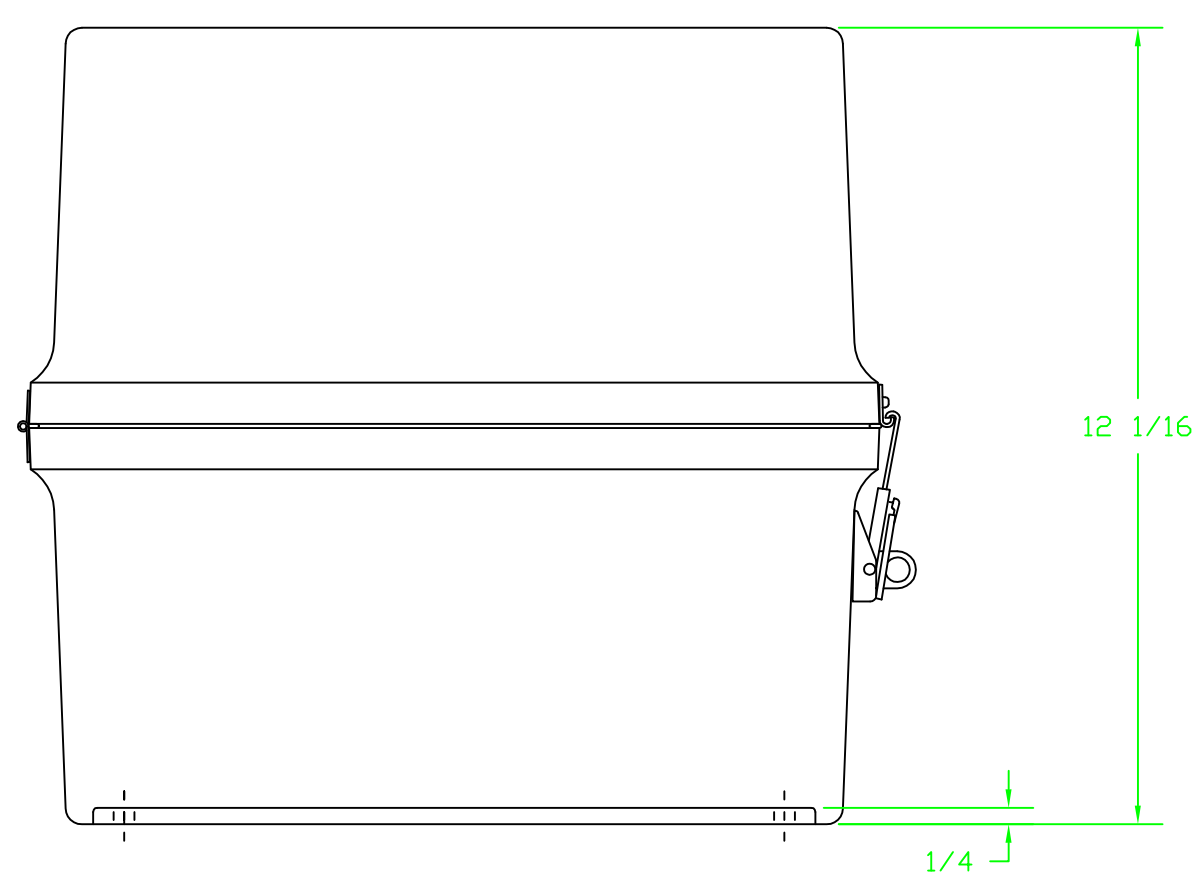


SECTION B-B



SECTION A-A

NOTES:

NEMA 4X		TOLERANCES UNLESS SPECIFIED		DECIMAL $\pm .010$	FRACTIONAL $\pm \frac{1}{32}$
MATERIAL COLOR GLACIER GRAY RR1013					
DR. BY SH		DATE		5/3/91	
CHK. BY		DATE			
APD. BY		DATE		CUSTOMER	
SCALE DO NOT SCALE		PART NAME ENCLOSURE		PART NO. JW141212SSH	

STAHLIN ENCLOSURES DIVISION OF ROBROY INDUSTRIES BELDING, MICHIGAN 48809

AutoCAD DWG FILE