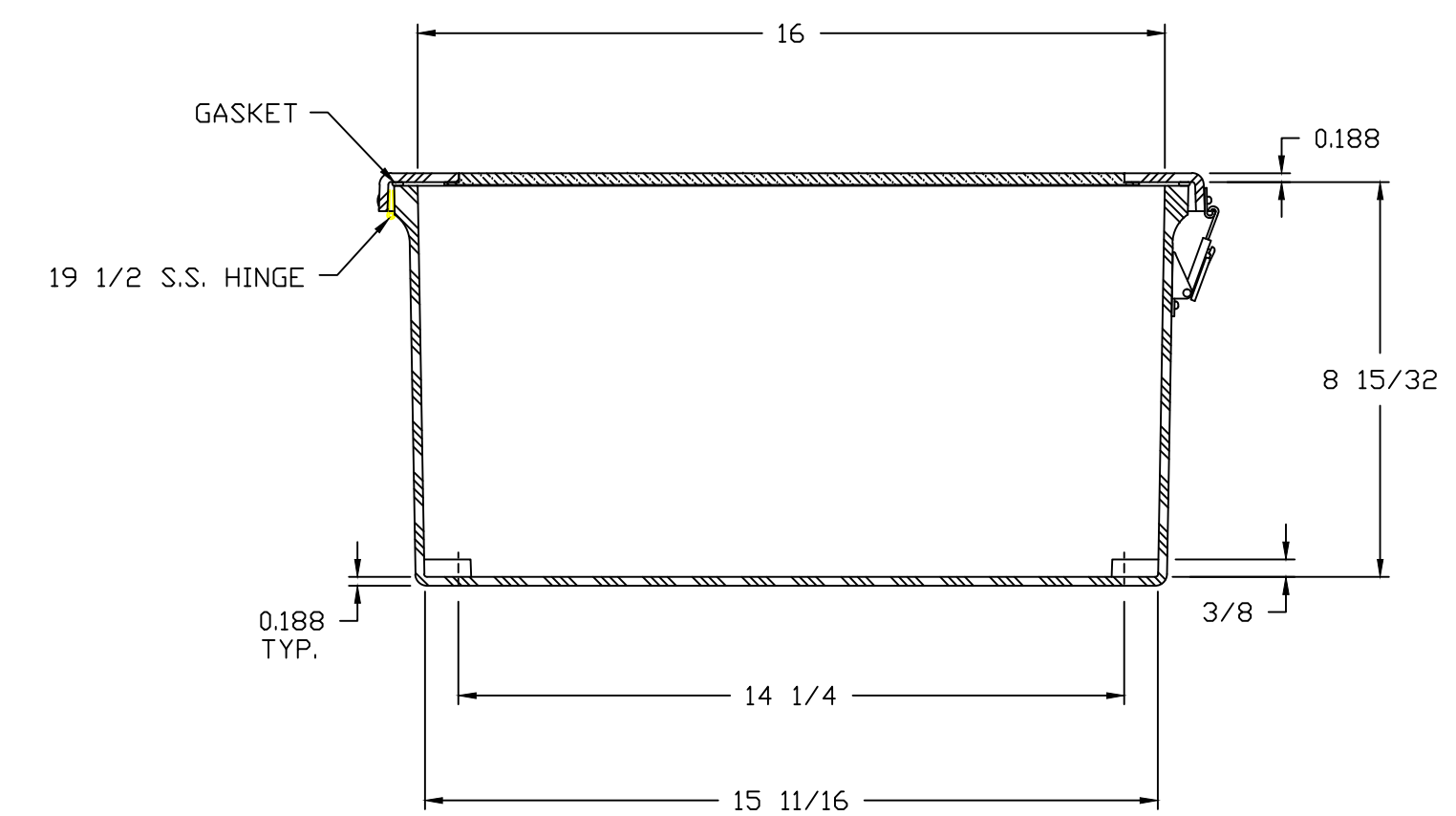
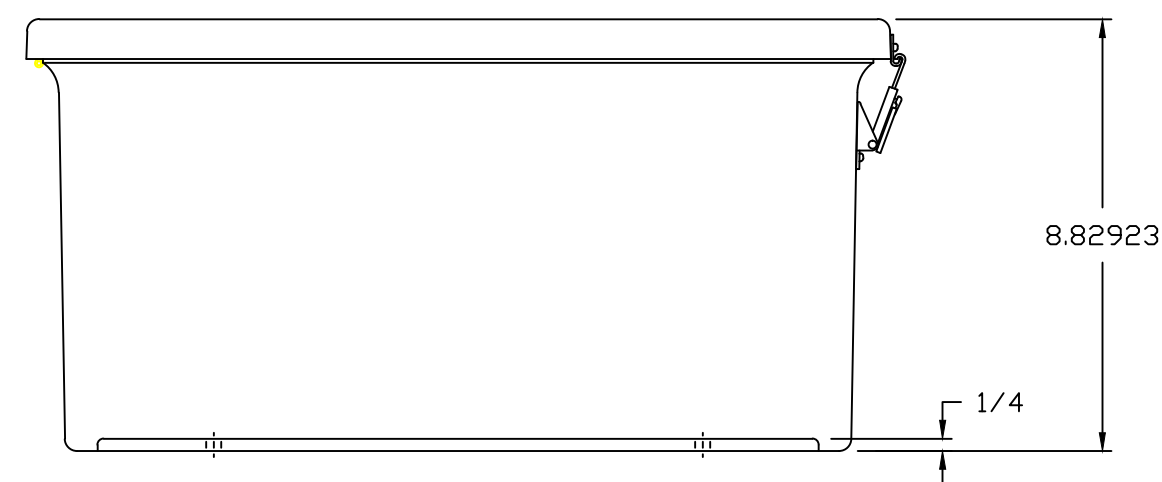


SECTION B-B



SECTION A-A

NOTES:										
NEMA 4X					TOLERANCES UNLESS SPECIFIED		DECIMAL ±.010	FRACTIONAL ± 1/32		
COLOR GLACIER GRAY RR1013					DR. BY GF	DATE 3/30/00				
MATERIAL F.R. POLYESTER FIBERGLASS					CHK. BY	DATE				
LET.	REVISION RECORD	DATE	BY	CHD.	APD. BY	DATE	CUSTOMER		AutoCAD DWG. FILE	
							JW2016HLL		BELDING, MICHIGAN 48809	
SCALE DO NOT SCALE							PART NAME ENCLOSURE	PART NO. JW2016HLL		