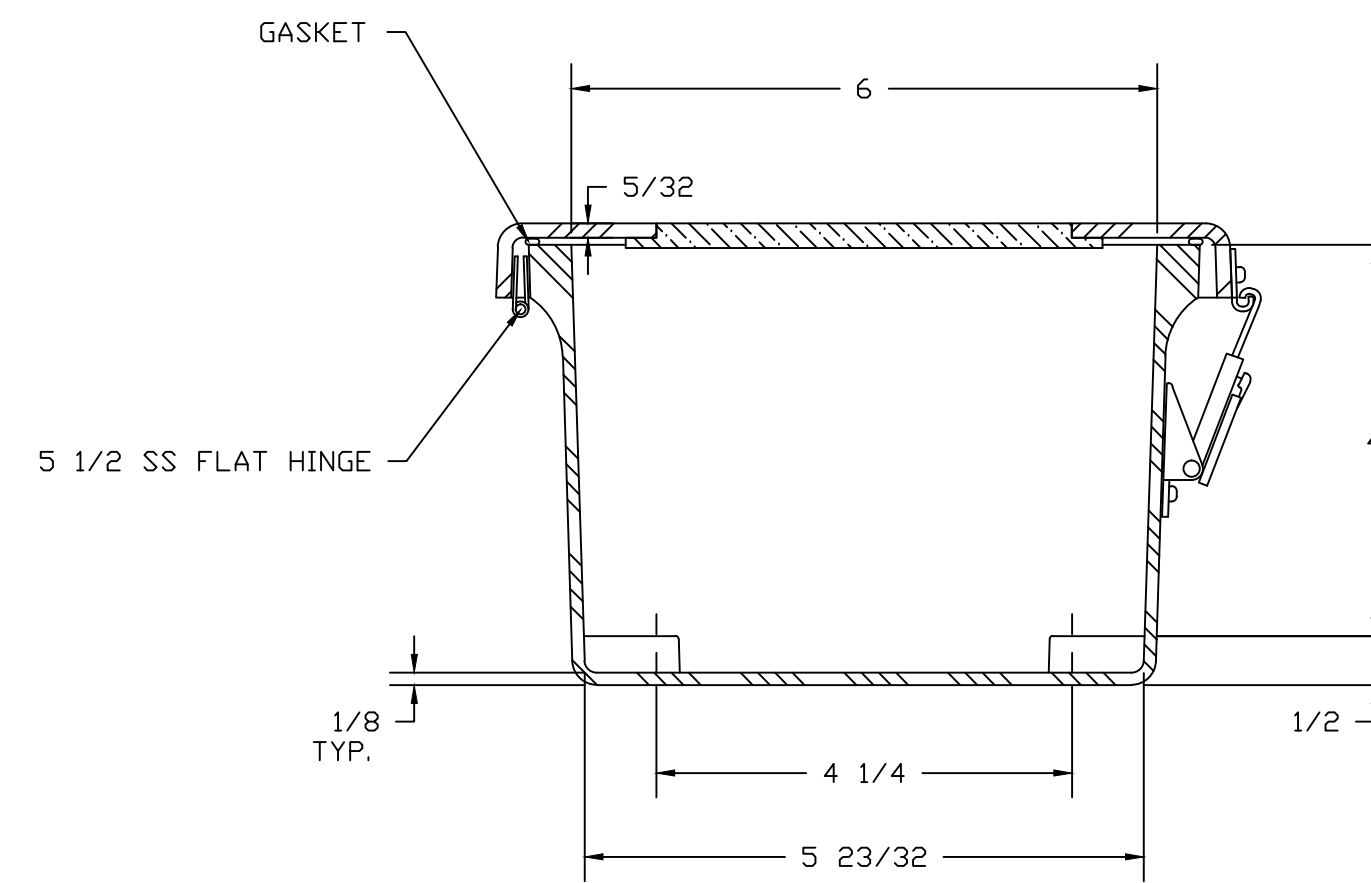
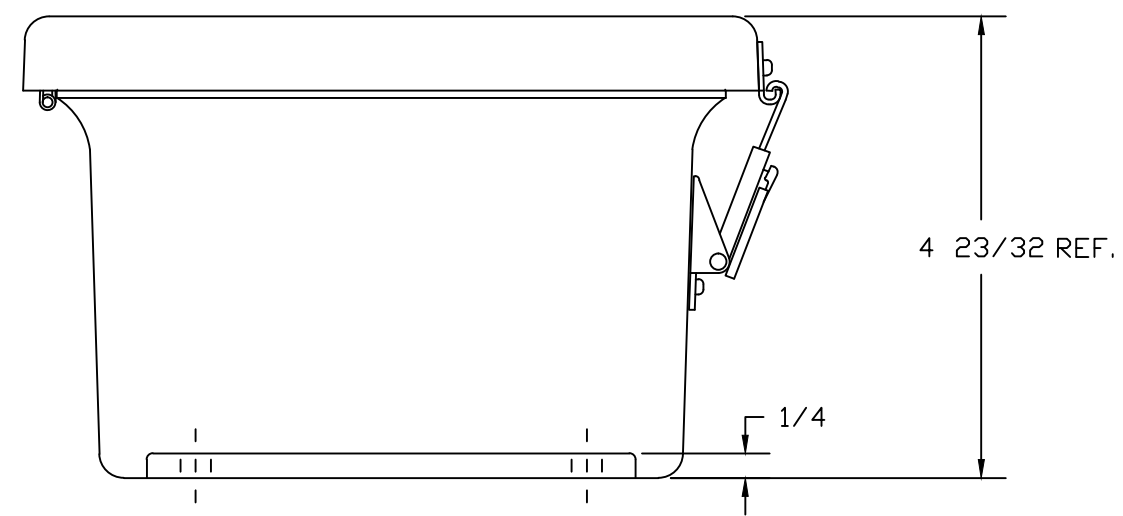


SECTION B-B



SECTION A-A

NOTES:

NEMA 4X		TOLERANCES UNLESS SPECIFIED		DECIMAL ±.010	FRACTIONAL ± 1/32
COLOR GLACIER GRAY RR1013					
MATERIAL	F.R. POLYESTER FIBERGLASS	DR. BY	SH	DATE	8/13/91
LET.	REVISION RECORD	DATE	BY	CHD.	CHK. BY
					DATE
		APD. BY	DATE		
		SCALE			PART NAME
		DO NOT SCALE			ENCLOSURE
				PART NO.	JW606HLL

STAHLIN ENCLOSURES
DIVISION OF ROBROY INDUSTRIES

BELDING, MICHIGAN 48809

AutoCAD DWG. FILE JW606HLL