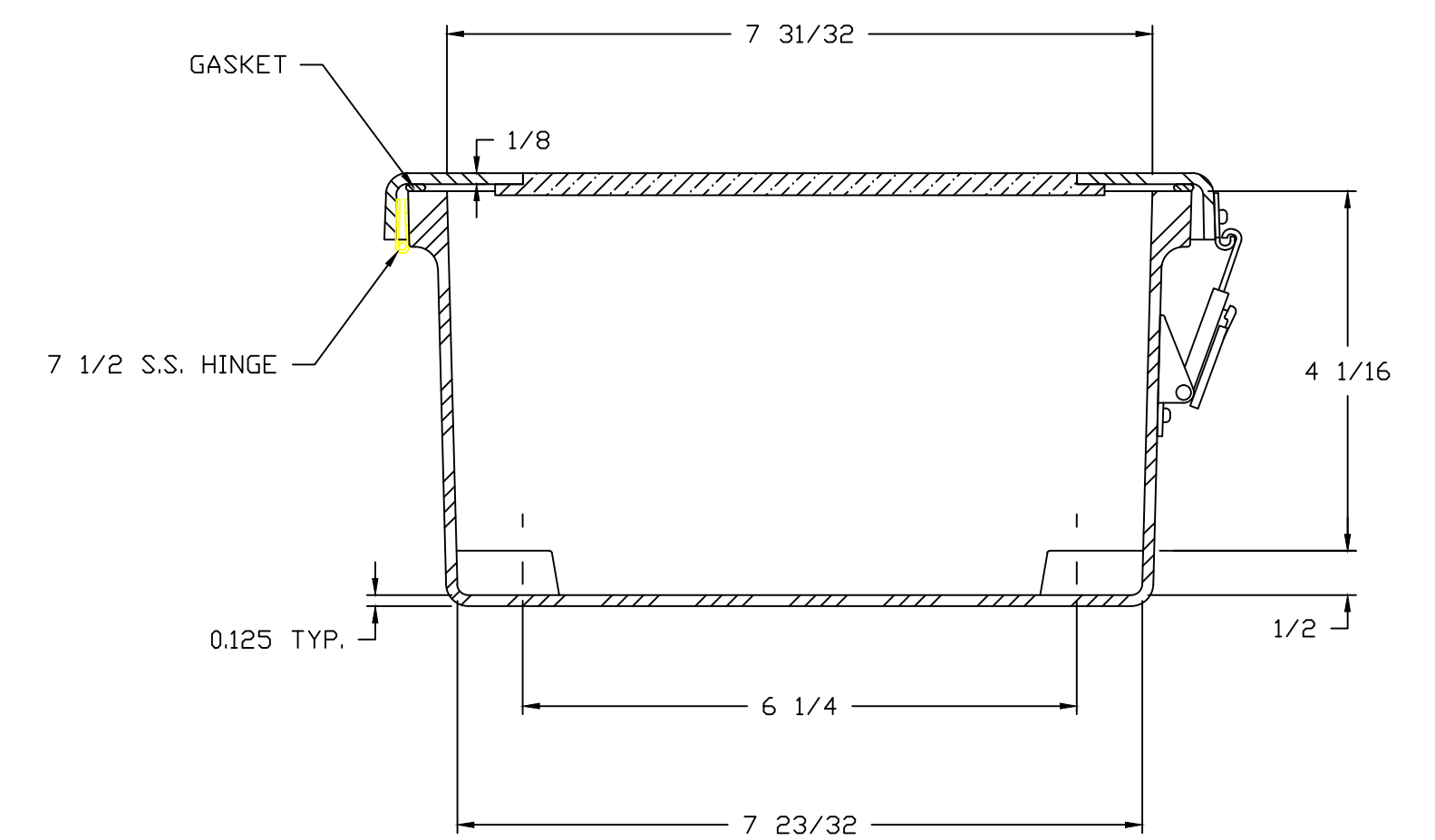
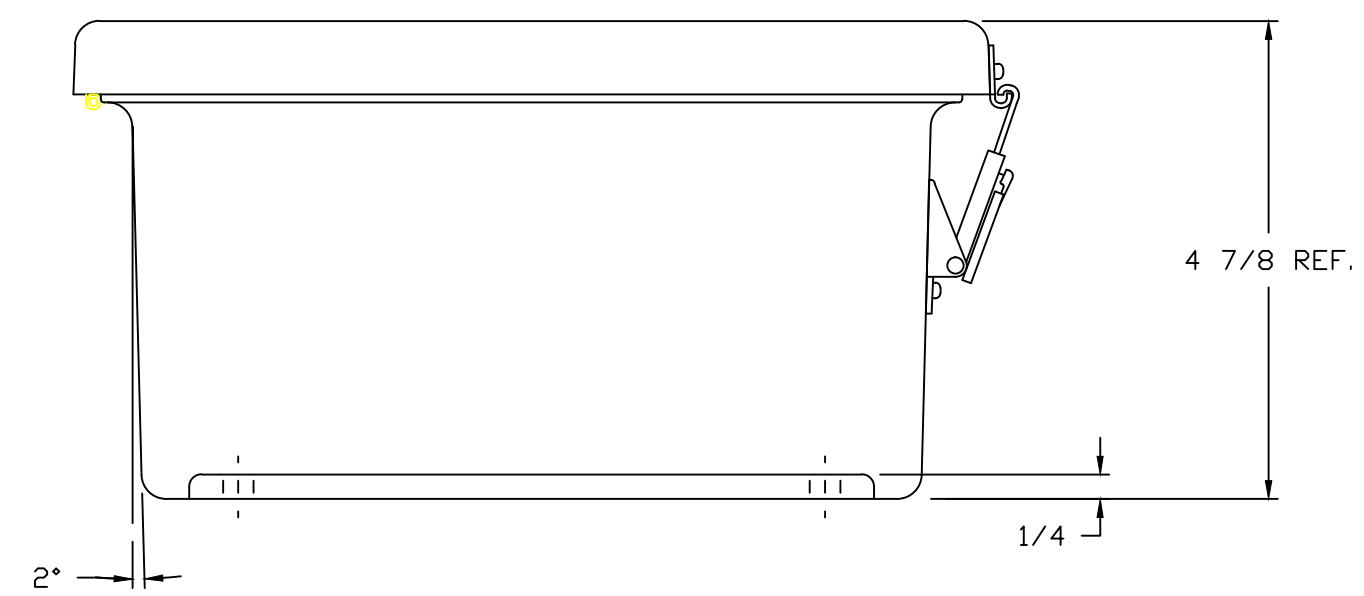



SECTION B-B



SECTION A-A

NOTES:

COLOR: GLACIER GRAY RR3013				TOLERANCES UNLESS SPECIFIED		DECIMAL 5/10	FRACTIONAL 1/32
NEMA 1, 3R, 4X, 6P, 12				DR. BY ZJB	DATE 3/2/04	 BELDING, MICHIGAN 48809	
MATERIAL F.R. POLYESTER FIBERGLASS				CHK. BY	DATE		
LET.	REVISION RECORD	DATE	BY	CHD.	APD. BY	DATE	CUSTOMER
							AutoCAD DWG. FILE JW808HLL
SCALE DO NOT SCALE				PART NAME ENCLOSURE		PART NO. JW808HLL	