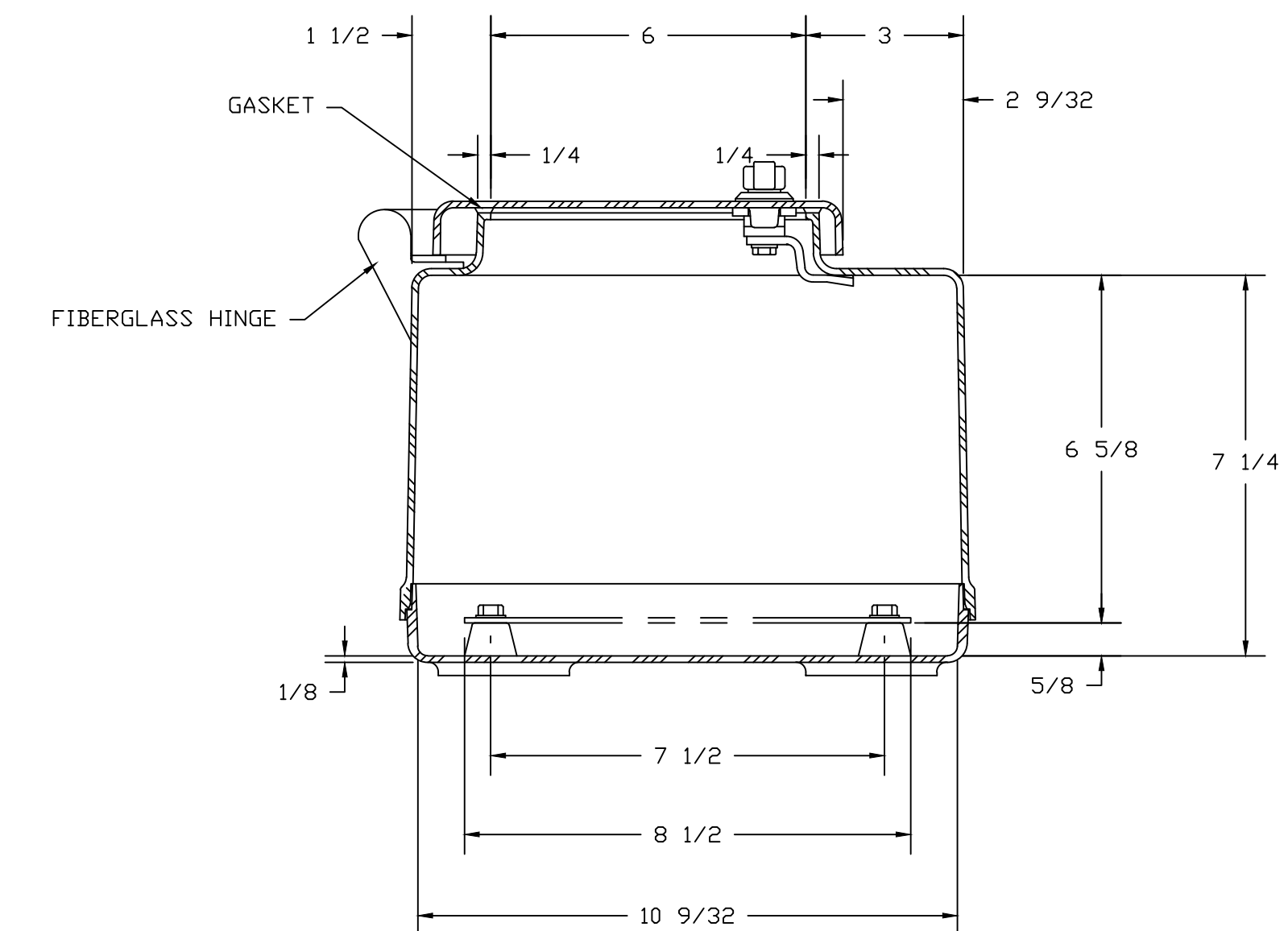
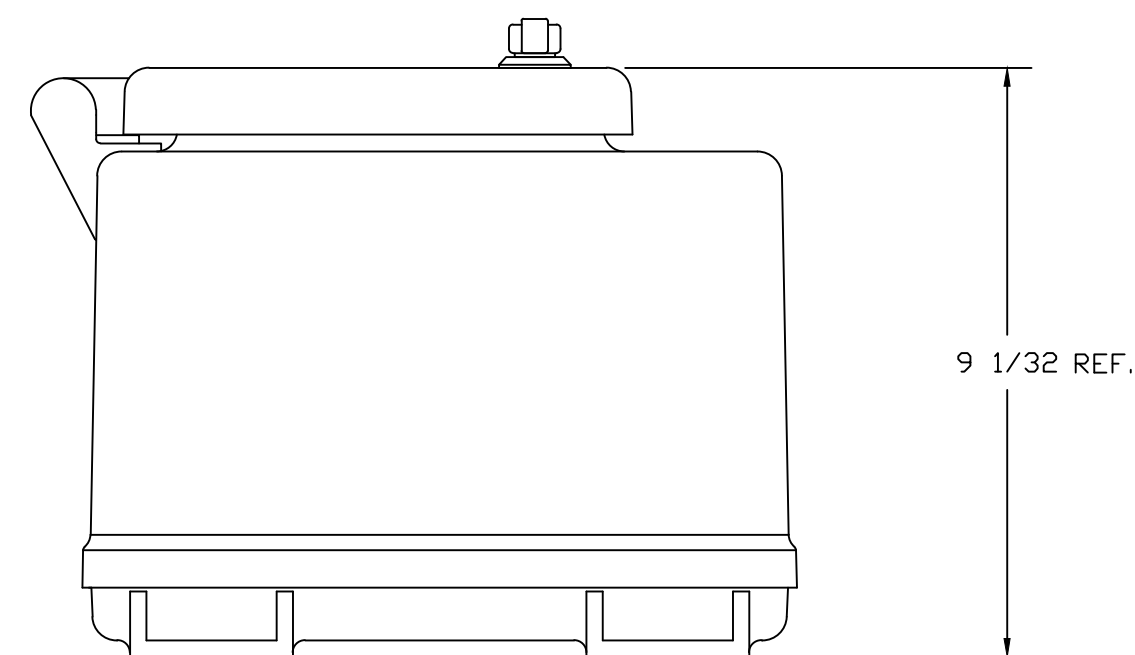


SECTION B-B



SECTION A-A

NOTES:

NEMA 4X		TOLERANCES UNLESS SPECIFIED		DECIMAL ± .010	FRACTIONAL ± 1/32
COLOR: GLACIER GRAY RR1013					
MATERIAL	F.R. POLYESTER FIBERGLASS	DR. BY	DATE	STAHLIN ENCLOSURES	
LET.	REVISION RECORD	GF	10/7/98	DIVISION OF ROBROY INDUSTRIES	
	DATE	BY	CHD.	APD. BY	DATE
					CUSTOMER
				SCALE	PART NAME
				DO NOT SCALE	ENCLOSURE
				PART NO.	ENCLOSURE
					N16107FHLWT

STAHLIN ENCLOSURES
DIVISION OF ROBROY INDUSTRIES

BELDING, MICHIGAN 48809

AutoCAD DWG FILE
N16107FHLWT