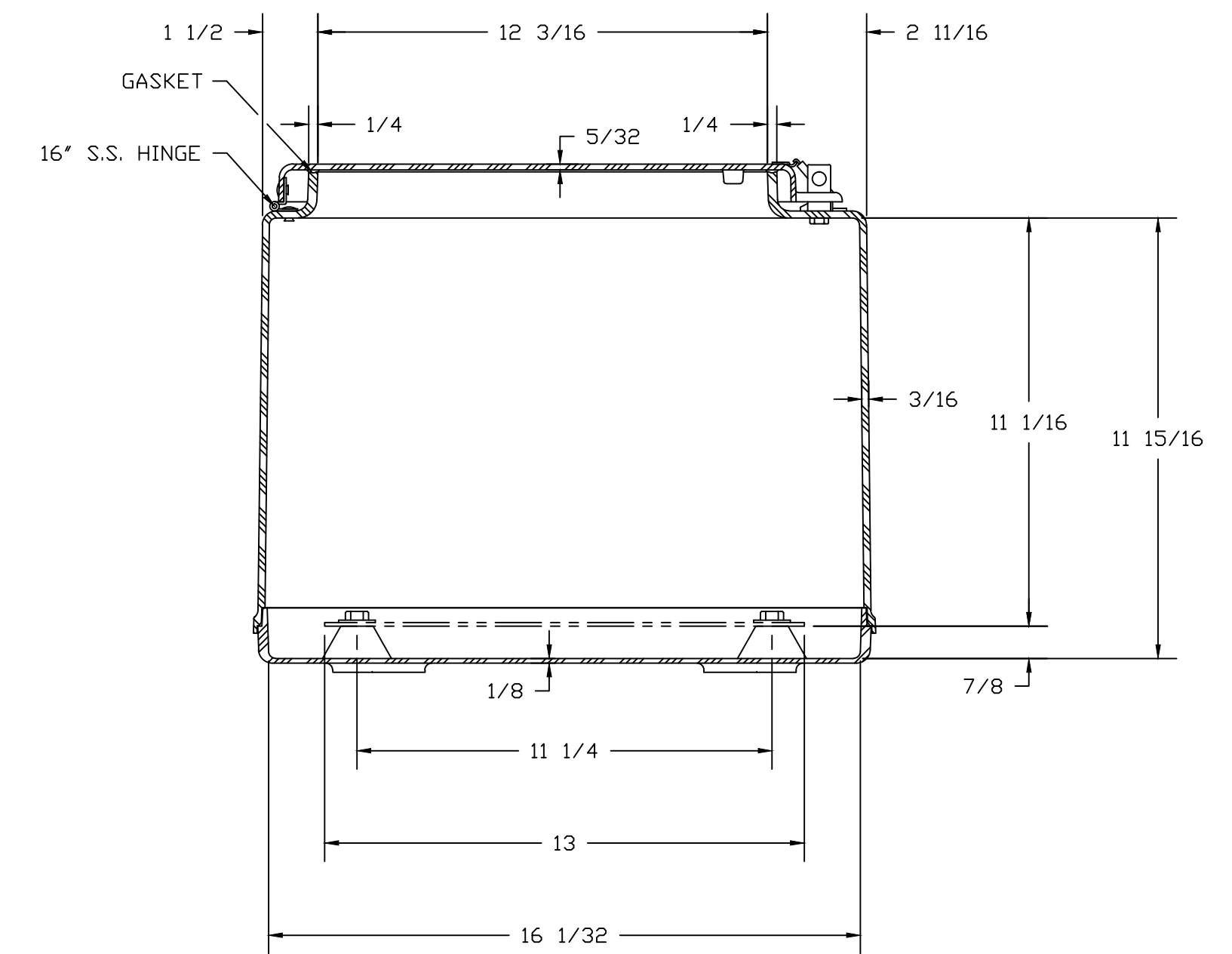
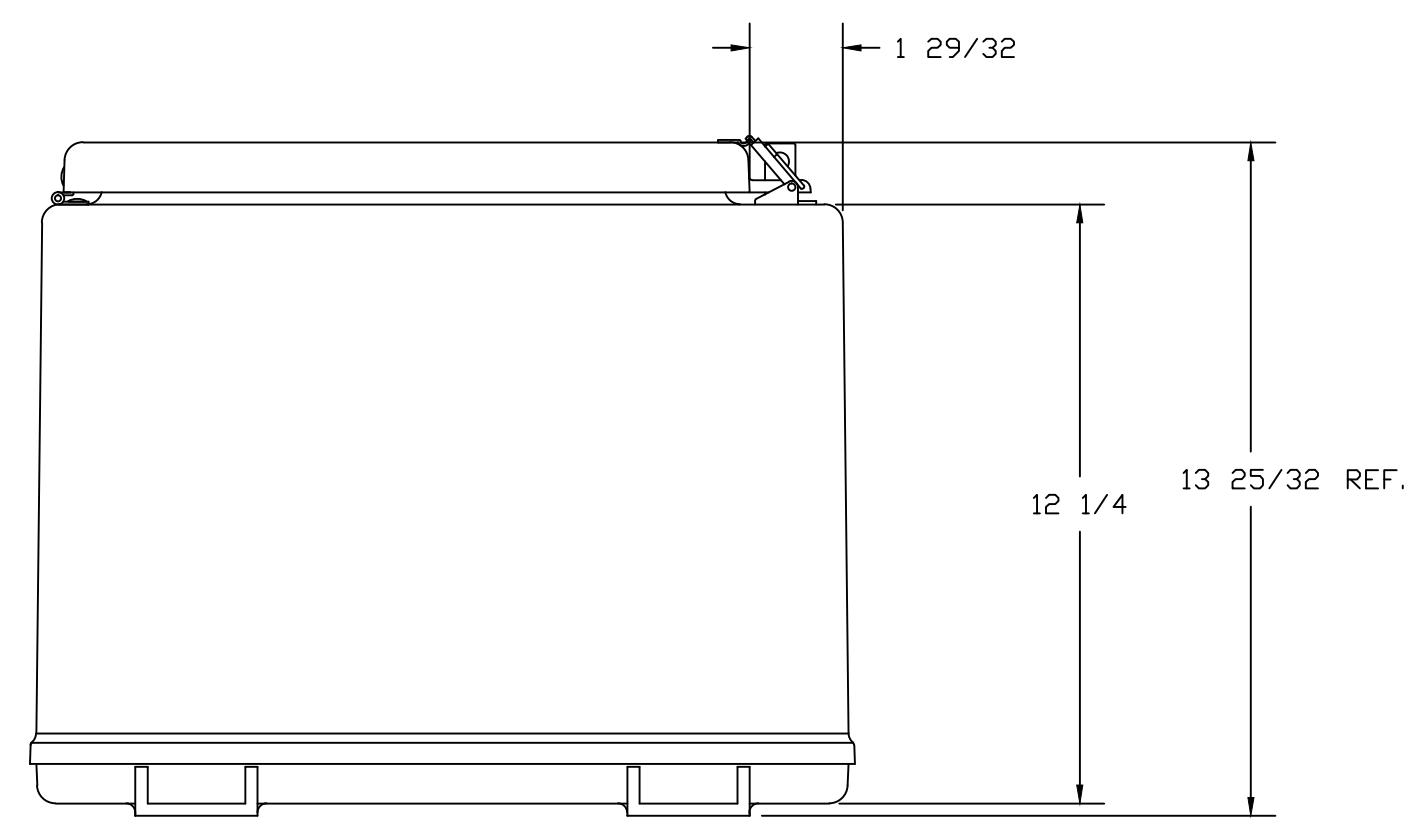


SECTION B-B



SECTION A-A

NOTES:

NEMA 4X		TOLERANCES UNLESS SPECIFIED		DECIMAL ± 0.10	FRACTIONAL ± 1/32
COLOR: GLACIER GRAY RR1013					
MATERIAL	F.R. POLYESTER FIBERGLASS	DR. BY	SH	DATE	03/27/92
LET.	REVISION RECORD	DATE	BY	CHK. BY	CHD.
		APD. BY	DATE	CUSTOMER	
		SCALE	DO NOT SCALE	PART NAME	ENCLOSURE
				PART NO.	N201612HWT



BELDING, MICHIGAN 48809

AutoCAD DWG. FILE 201612HWT