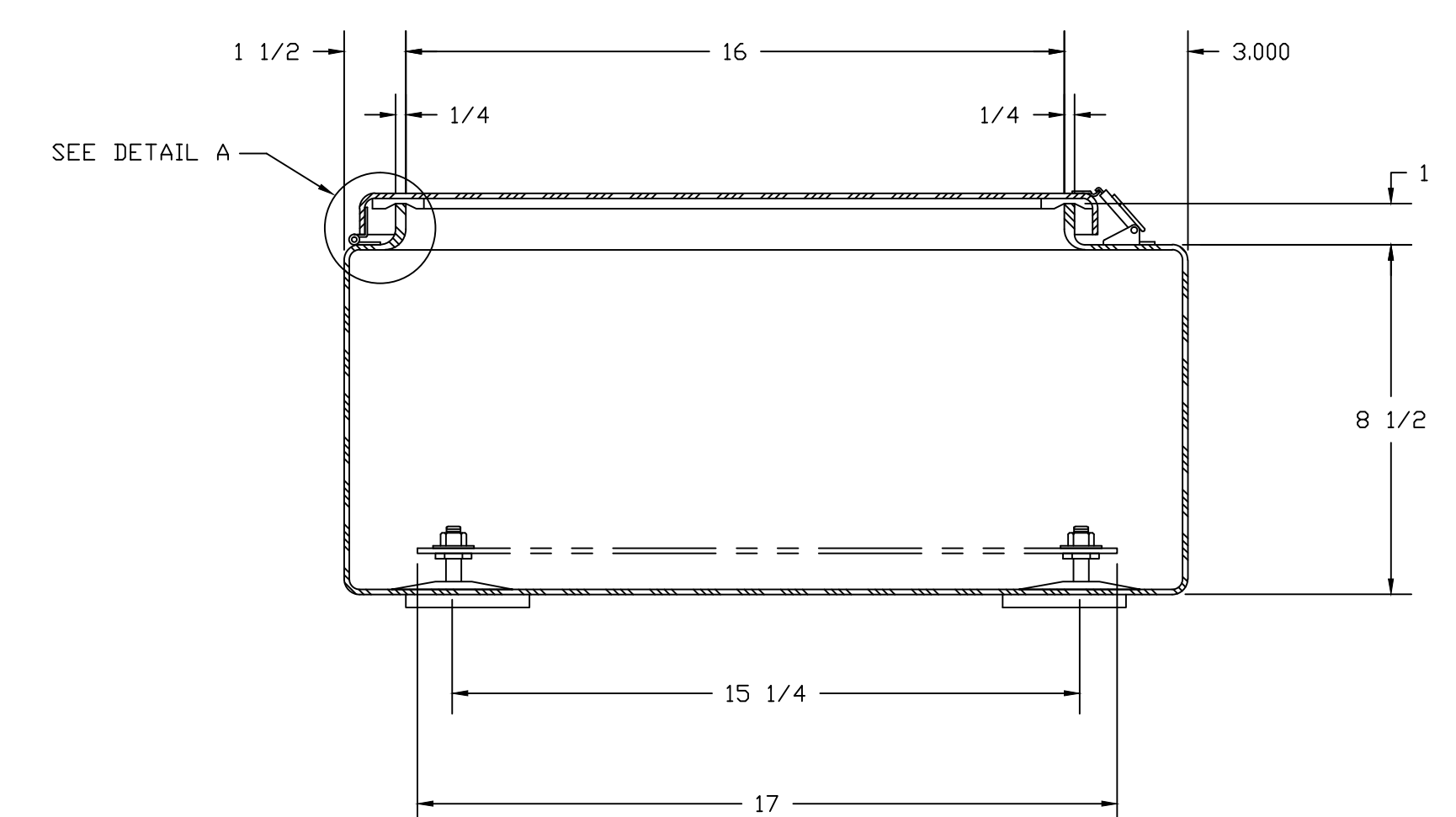
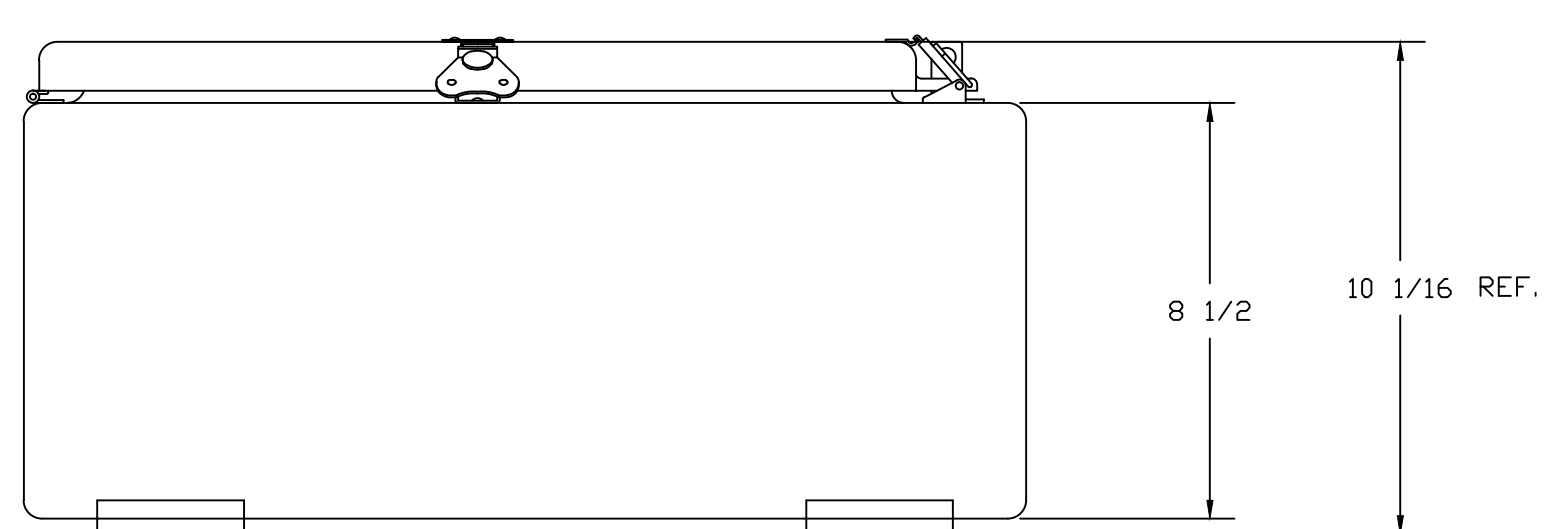
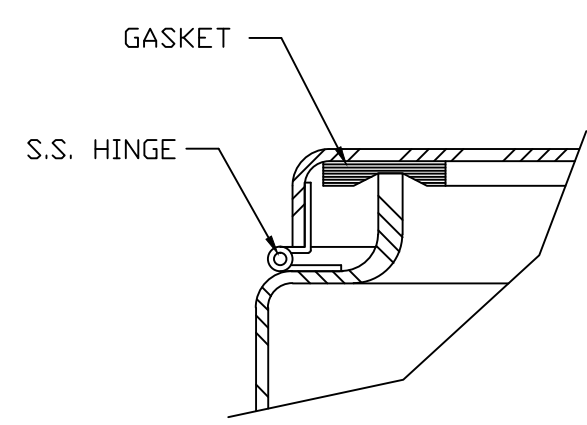


SECTION A-A



SECTION B-B



DETAIL A

NOTES:

EXTERIOR & INTERIOR COLOR GLACIER GRAY				TOLERANCES UNLESS SPECIFIED		DECIMAL ±	FRACTIONAL ± 1/8
WALL THK. 1/8							
MATERIAL		DR. BY	DATE	<b>STAHLIN ENCLOSURES</b> DIVISION OF ROBROY INDUSTRIES			
F.R. POLYESTER FIBERGLASS		3/28/95	GF				
LET.	REVISION RECORD	DATE	BY	CHD.	CHK. BY	DATE	
					APD. BY	DATE	CUSTOMER
				SCALE	PART NAME	PART NO.	
				DO NOT SCALE	ENCLOSURE	N20208HWT	

BELDING, MICHIGAN 48809  
 AutoCAD DWG. FILE N20208HWT