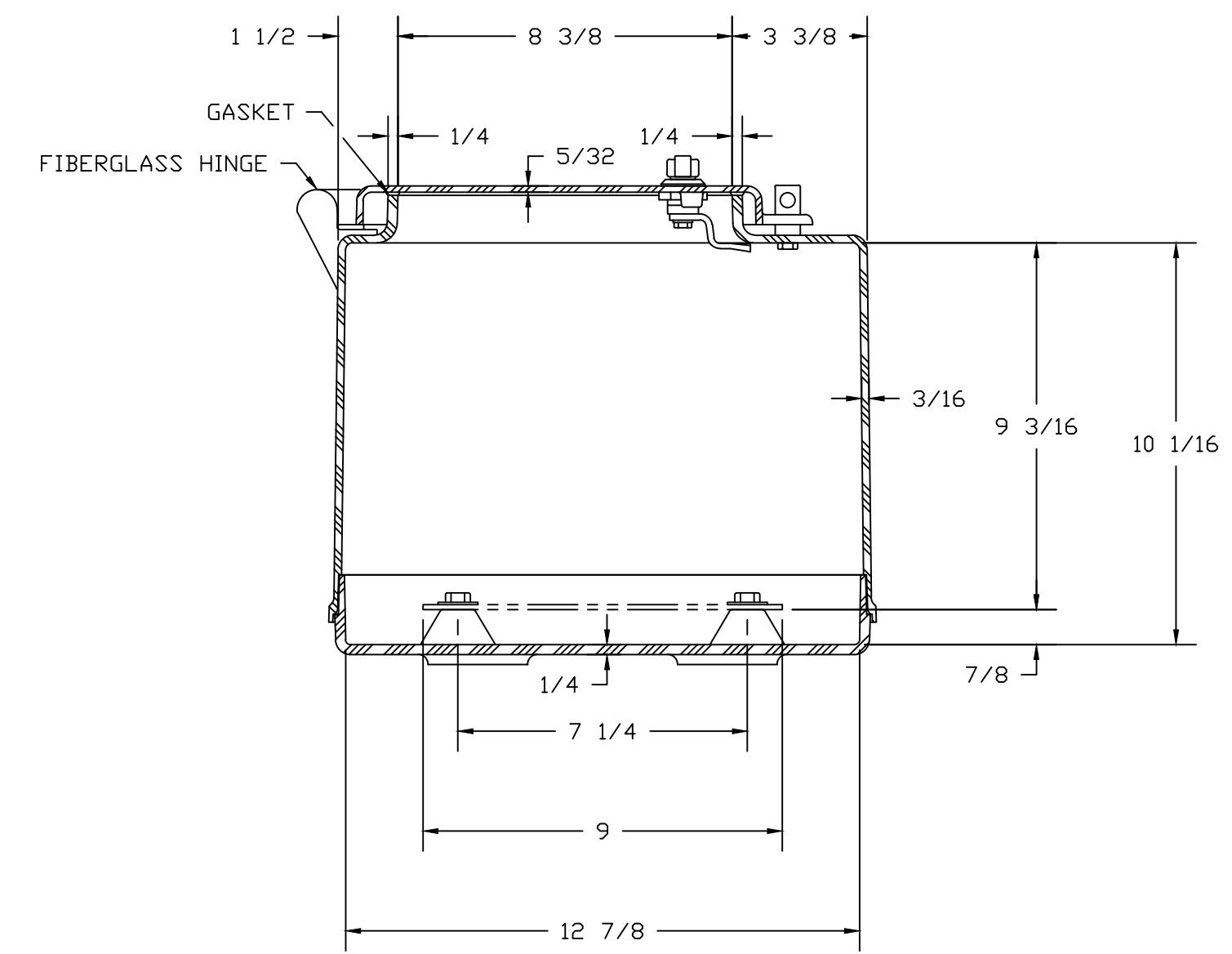
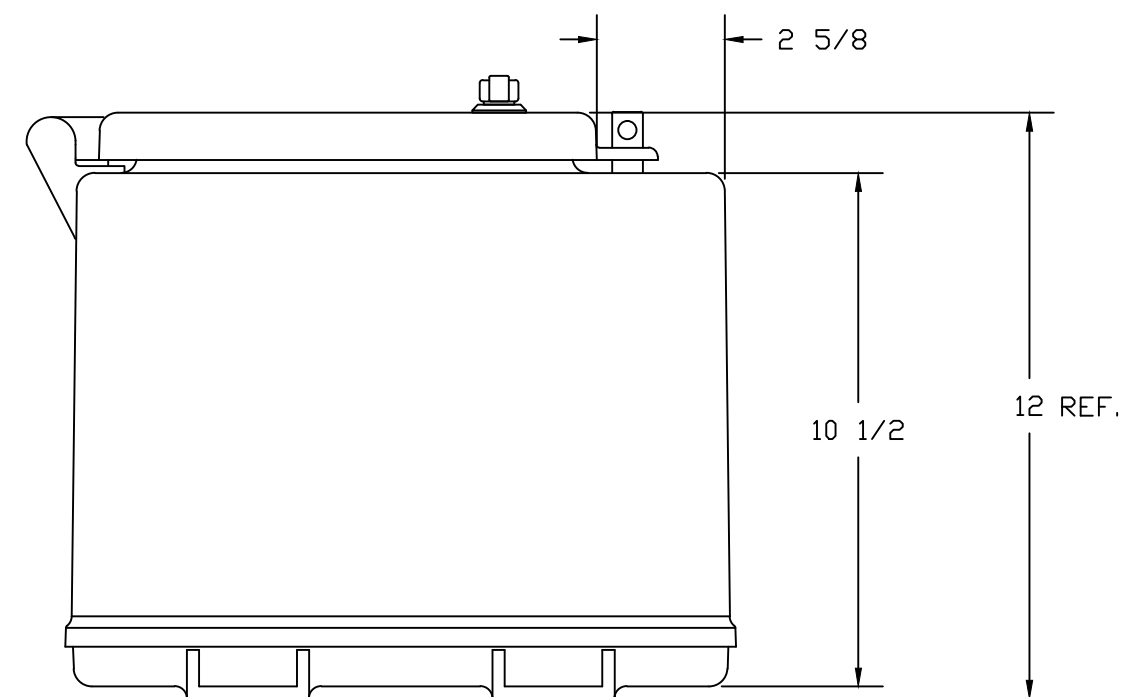


SECTION B-B



SECTION A-A

NOTES:

NEMA 4X		TOLERANCES UNLESS SPECIFIED		DECIMAL ± .010	FRACTIONAL ± 1/32
COLOR: GLACIER GRAY RR1013					
MATERIAL	F.R. POLYESTER FIBERGLASS	DR. BY	SH	DATE	04/22/98
LET.	REVISION RECORD	DATE	BY	CHD.	
		CHK. BY		DATE	
		APD. BY		DATE	
		SCALE	PART NAME		PART NO.
		DO NOT SCALE	ENCLOSURE		N241210FHLWT



BELDING, MICHIGAN 48809

AutoCAD DWG. FILE N241210FHLWT