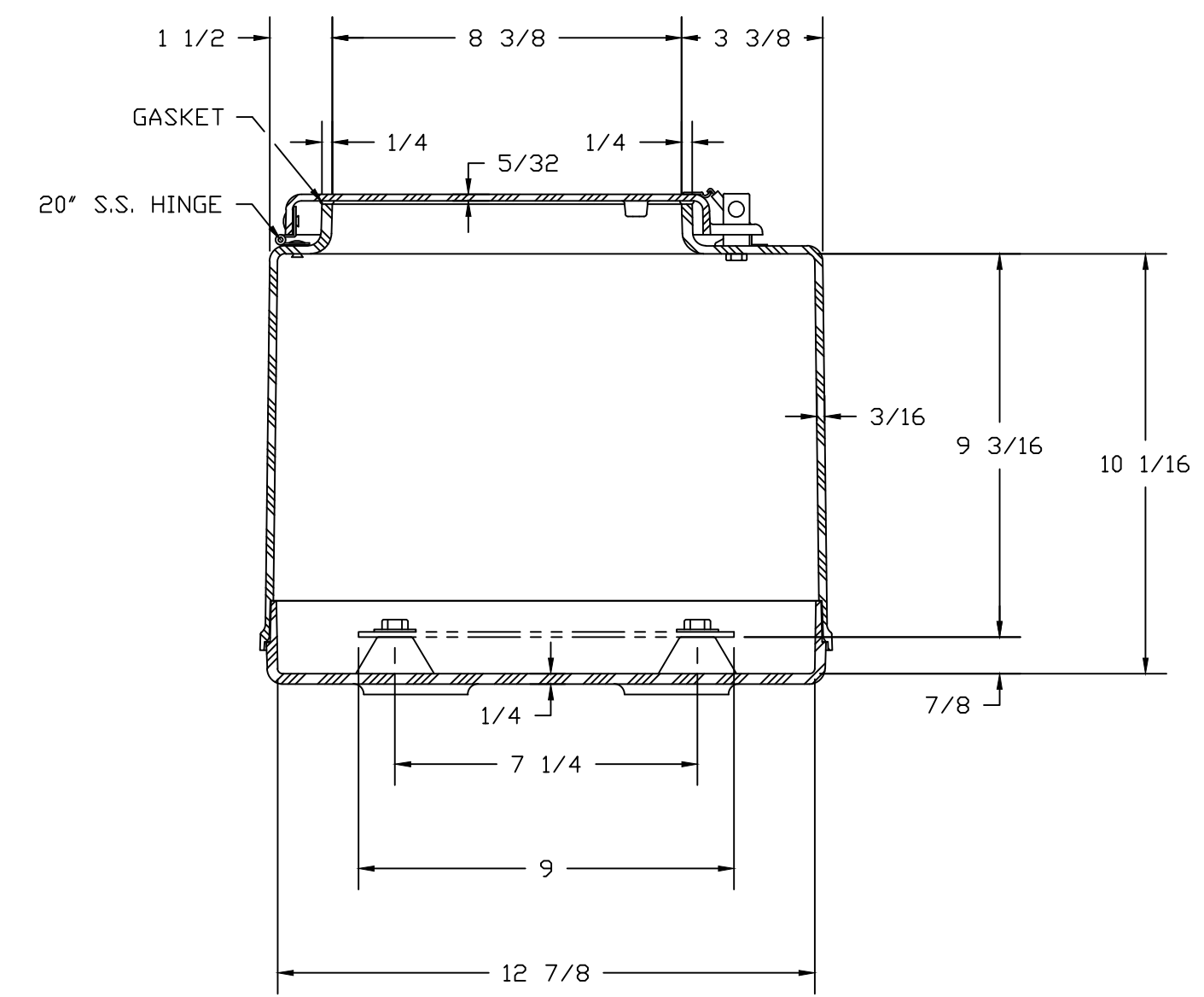
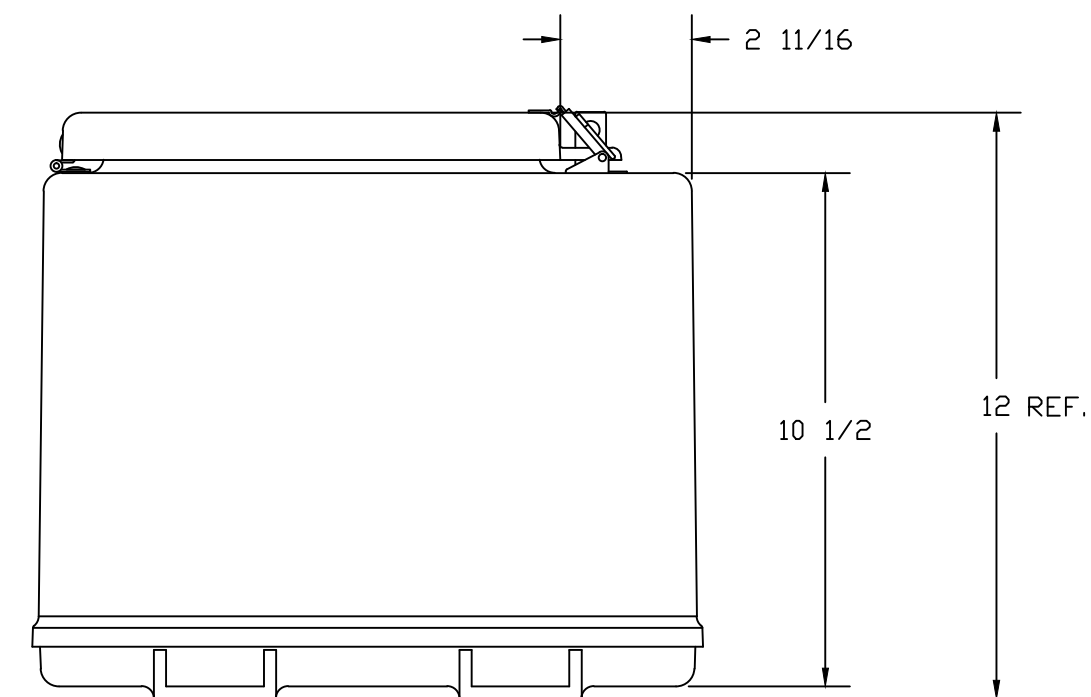



SECTION B-B



SECTION A-A

NOTES:

NEMA 4X				TOLERANCES UNLESS SPECIFIED		DECIMAL ± .010	FRACTIONAL ± 1/32
COLOR: GLACIER GRAY RR1013							
MATERIAL: F.R. POLYESTER FIBERGLASS				DR. BY: GF	DATE: 03/26/92	 BELDING, MICHIGAN 48809	
LET.	REVISION RECORD	DATE	BY	CHK. BY	DATE		
				APD. BY	DATE	CUSTOMER	
				SCALE: DO NOT SCALE		PART NAME: ENCLOSURE	PART NO.: N241210HWT

AutoCAD DWG FILE N241210HWT