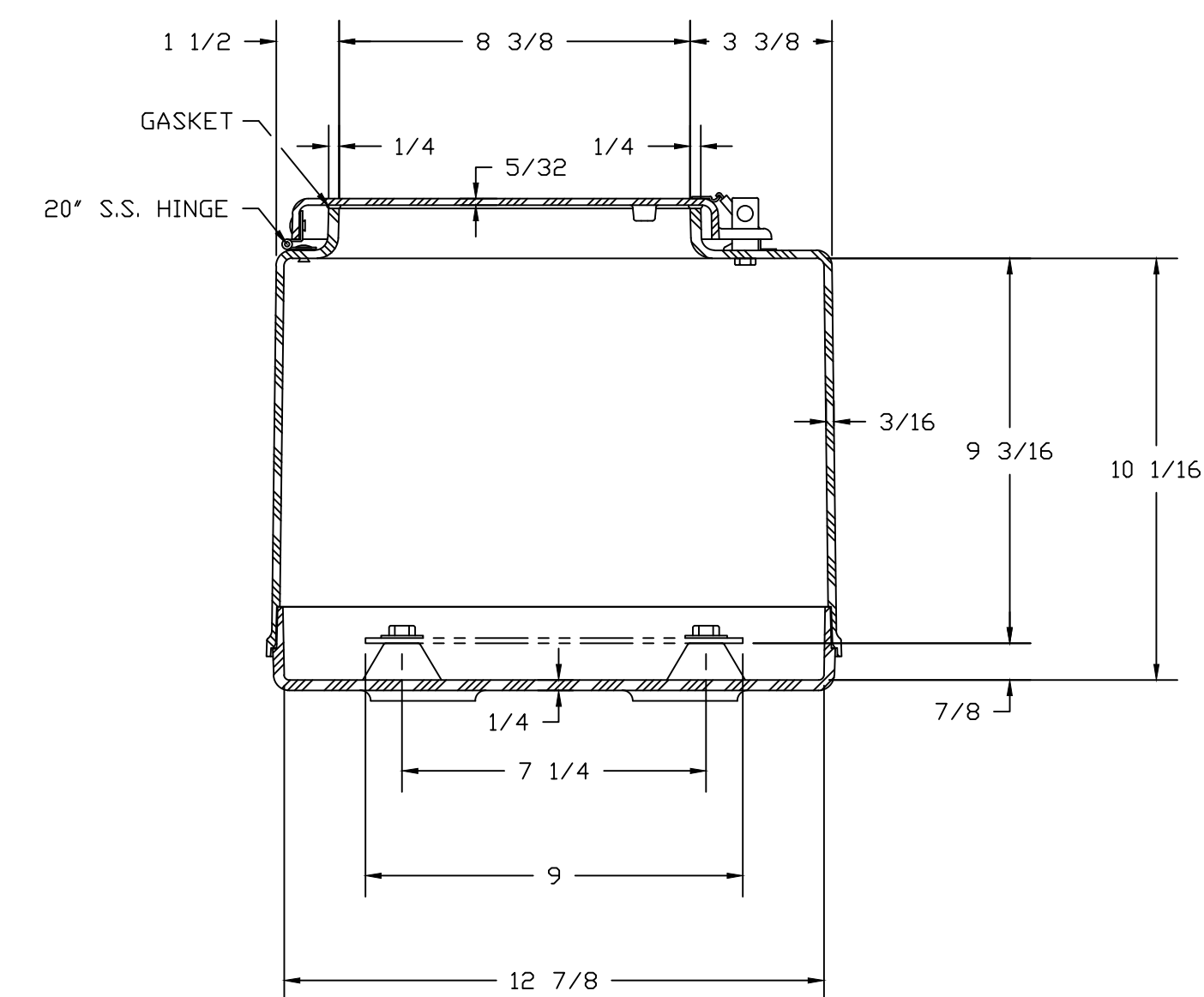
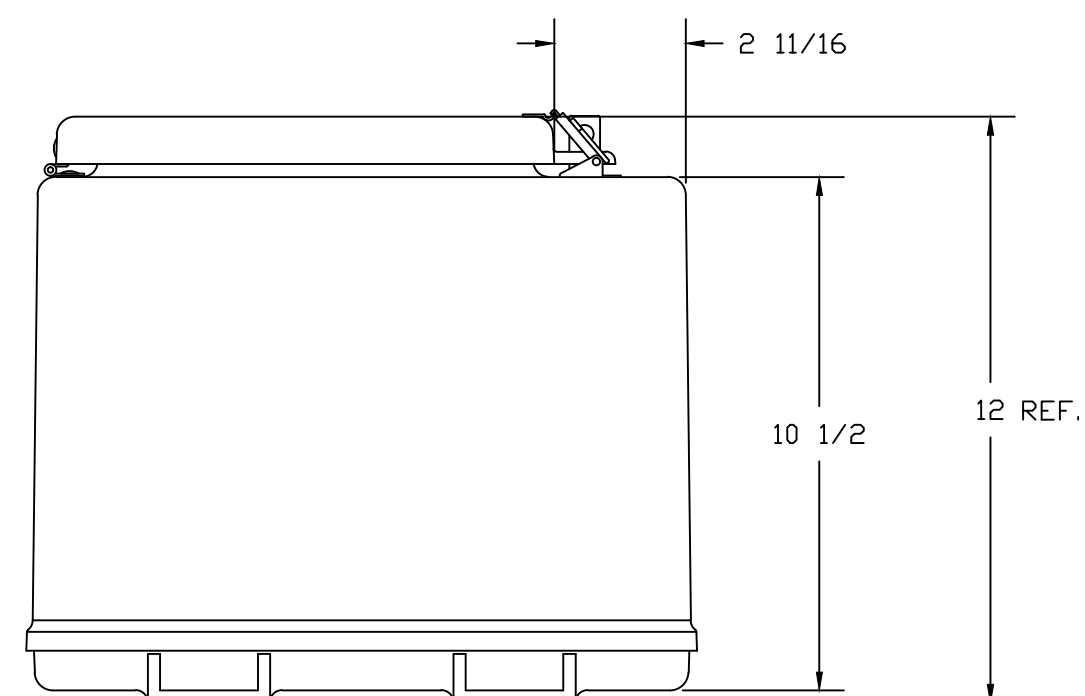



SECTION B-B



SECTION A-A

NOTES:

NEMA 3		TOLERANCES UNLESS SPECIFIED		DECIMAL ± .010	FRACTIONAL ± 1/32	
MATERIAL COLOR: GLACIER GRAY RR1013						
MATERIAL F.R. POLYESTER FIBERGLASS		DR. BY SH	DATE 03/25/98	 BELDING, MICHIGAN 48809		
LET.	REVISION RECORD	DATE	BY			CHK. BY
				APD. BY	DATE	CUSTOMER
				SCALE	DO NOT SCALE	PART NAME ENCLOSURE
						PART NO. N241210RT

AutoCAD DWG. FILE N241210RT