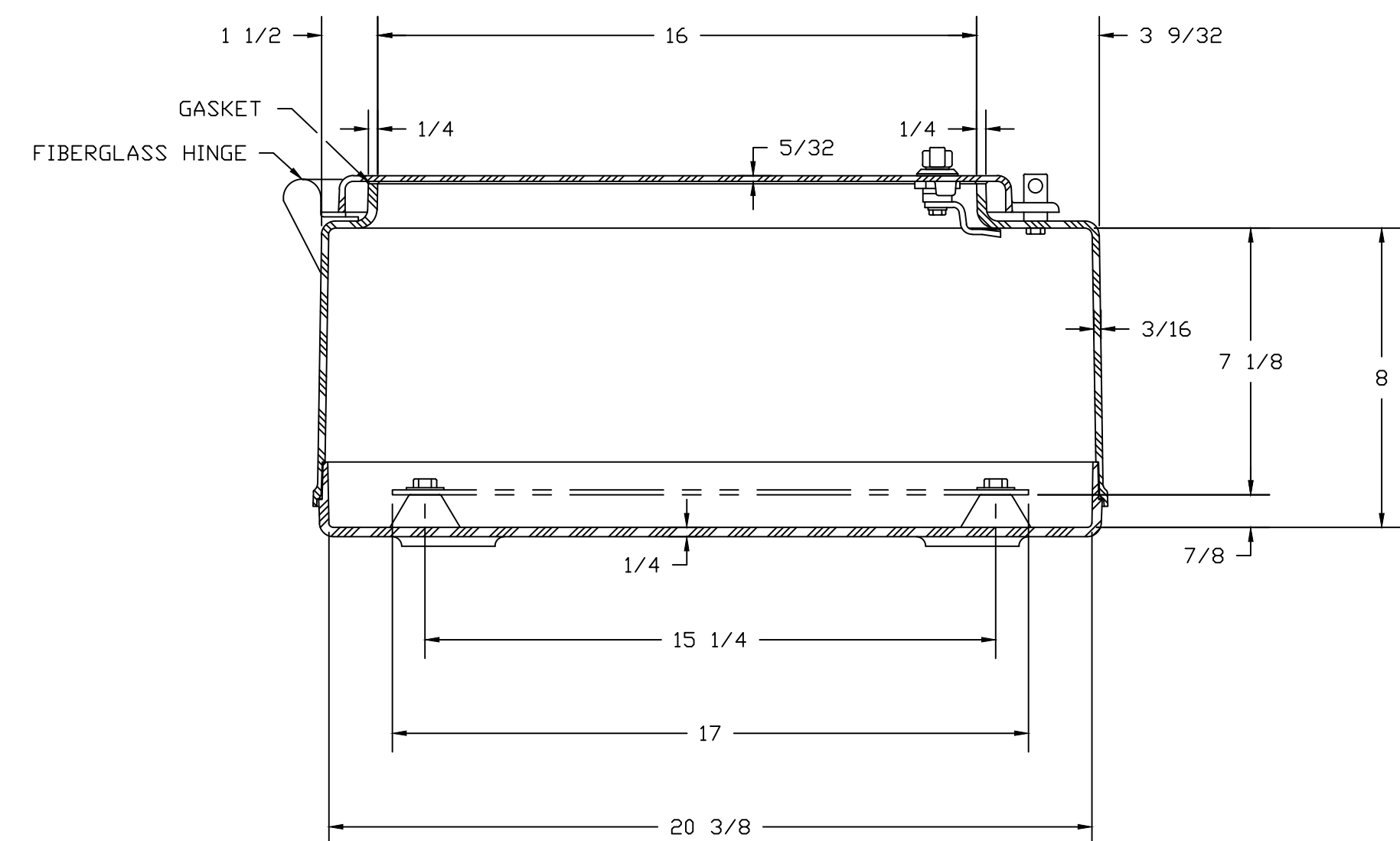
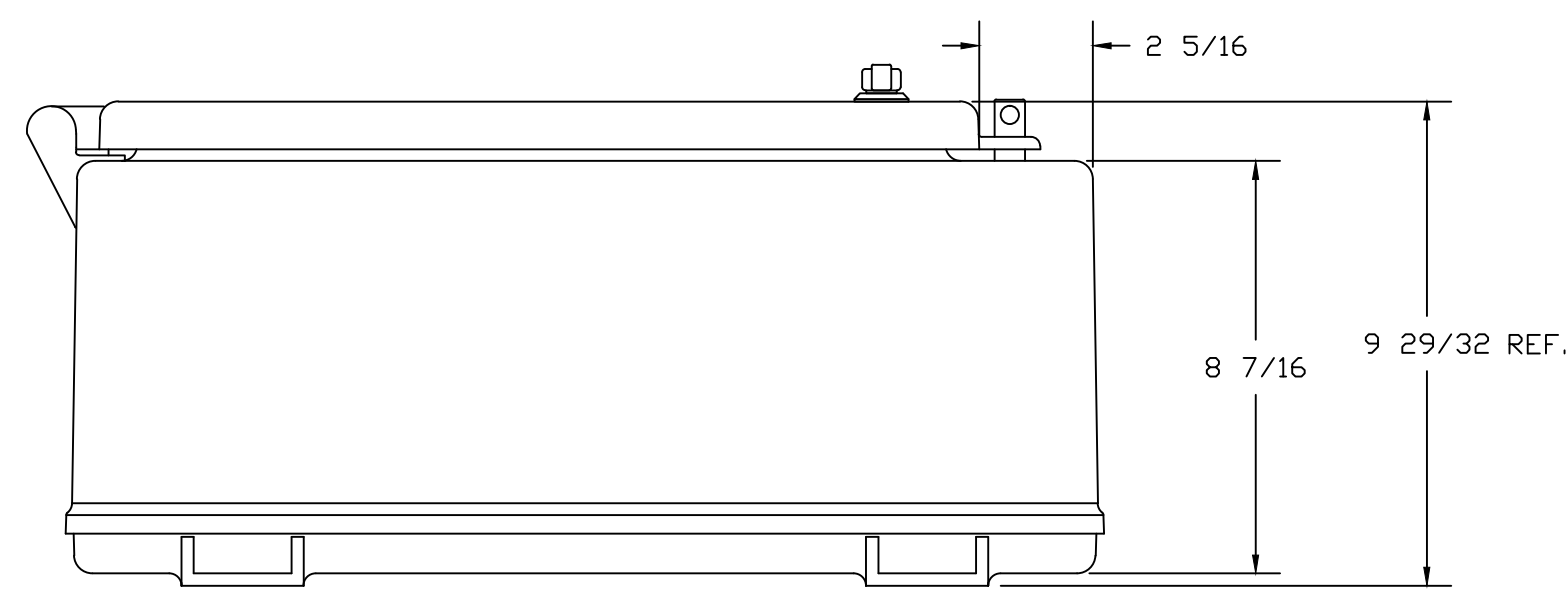


SECTION B-B



SECTION A-A

NOTES:

NEMA 3		TOLERANCES UNLESS SPECIFIED		DECIMAL ± 0.10	FRACTIONAL ± 1/32
COLOR GLACIER GRAY RR1013					
MATERIAL	F.R. POLYESTER FIBERGLASS	DR. BY	SH	DATE	04/23/92
LET.	REVISION RECORD	DATE	BY	CHK. BY	CHD.
		APD. BY	DATE	CUSTOMER	
		SCALE	DO NOT SCALE	PART NAME	ENCLOSURE
				PART NO.	N24208FHLRT

STAHLIN ENCLOSURES  
DIVISION OF ROBOBY INDUSTRIES

BELDING, MICHIGAN 48809

AutoCAD DWG. FILE N24208FHLRT