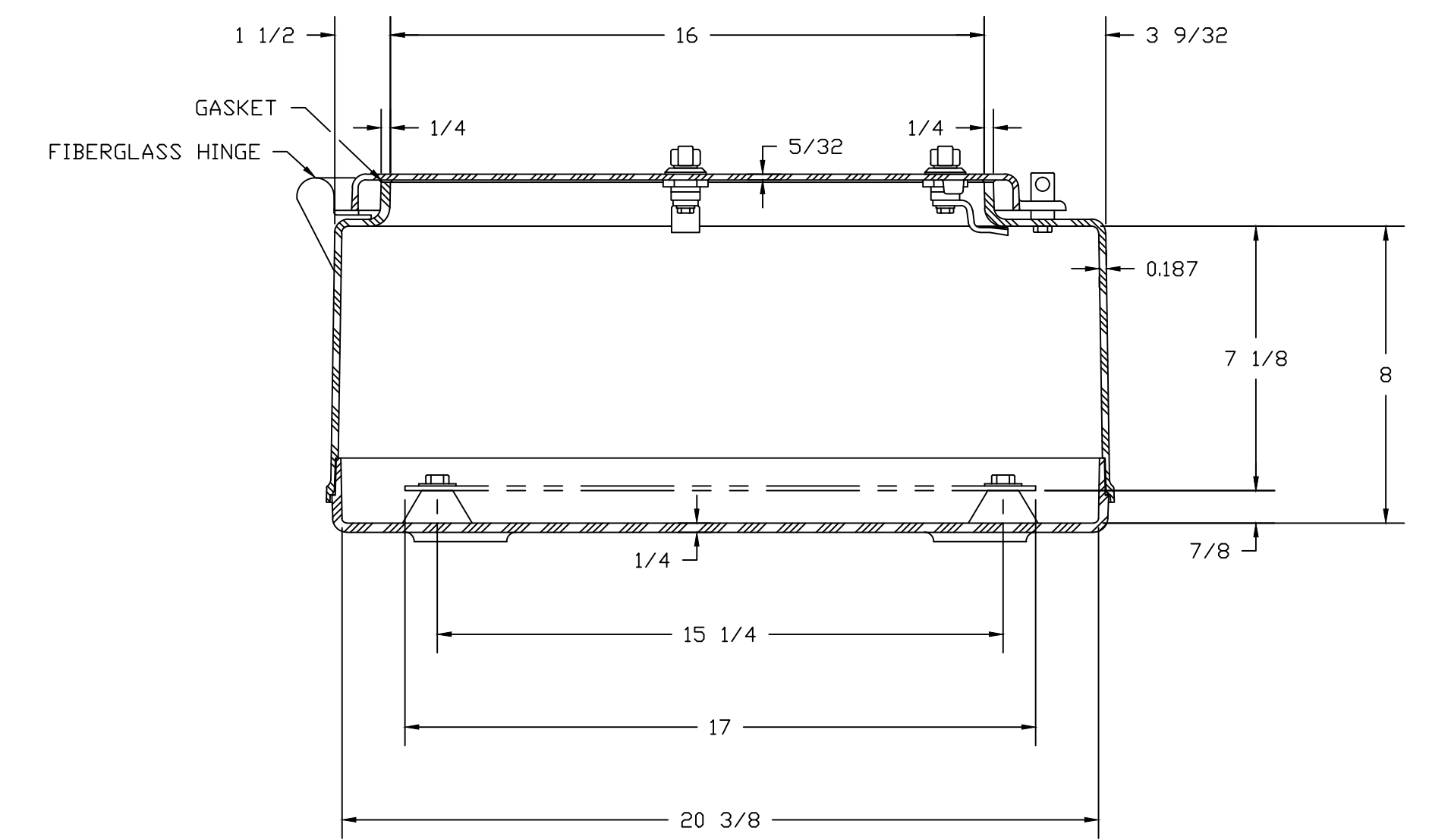
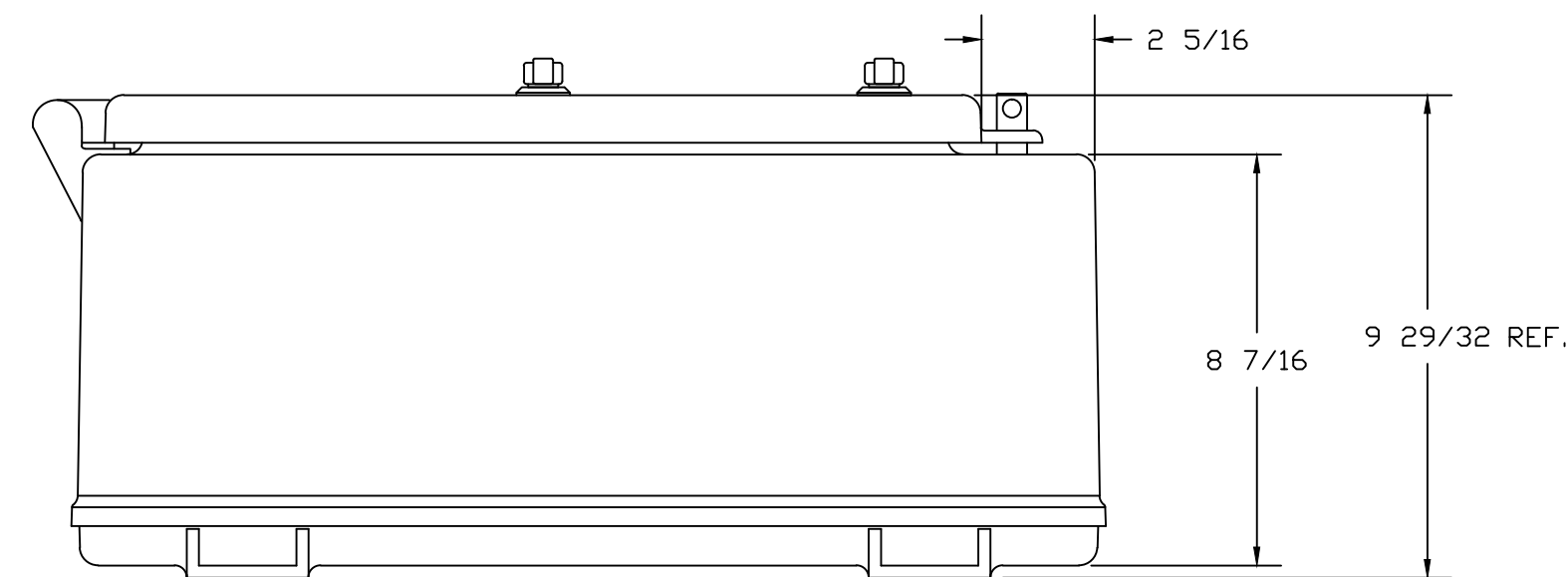



SECTION B-B



SECTION A-A

NOTES:

NEMA 4X		TOLERANCES UNLESS SPECIFIED		DECIMAL ± .010	FRACTIONAL ± 1/32
COLOR GLACIER GRAY R1013					
MATERIAL	F.R. POLYESTER FIBERGLASS	DR. BY	SH	DATE	04/23/92
LET.	REVISION RECORD	DATE	BY	CHD.	
		CHK. BY		DATE	
		APD. BY		DATE	
		SCALE	PART NAME		PART NO.
		DD NDT SCALE	ENCLOSURE		N24208FHLWT



STAHLIN
ENCLOSURES
DIVISION OF ROBROY INDUSTRIES

BELDING, MICHIGAN 48809

AutoCAD DWG FILE
N24208FHLWT