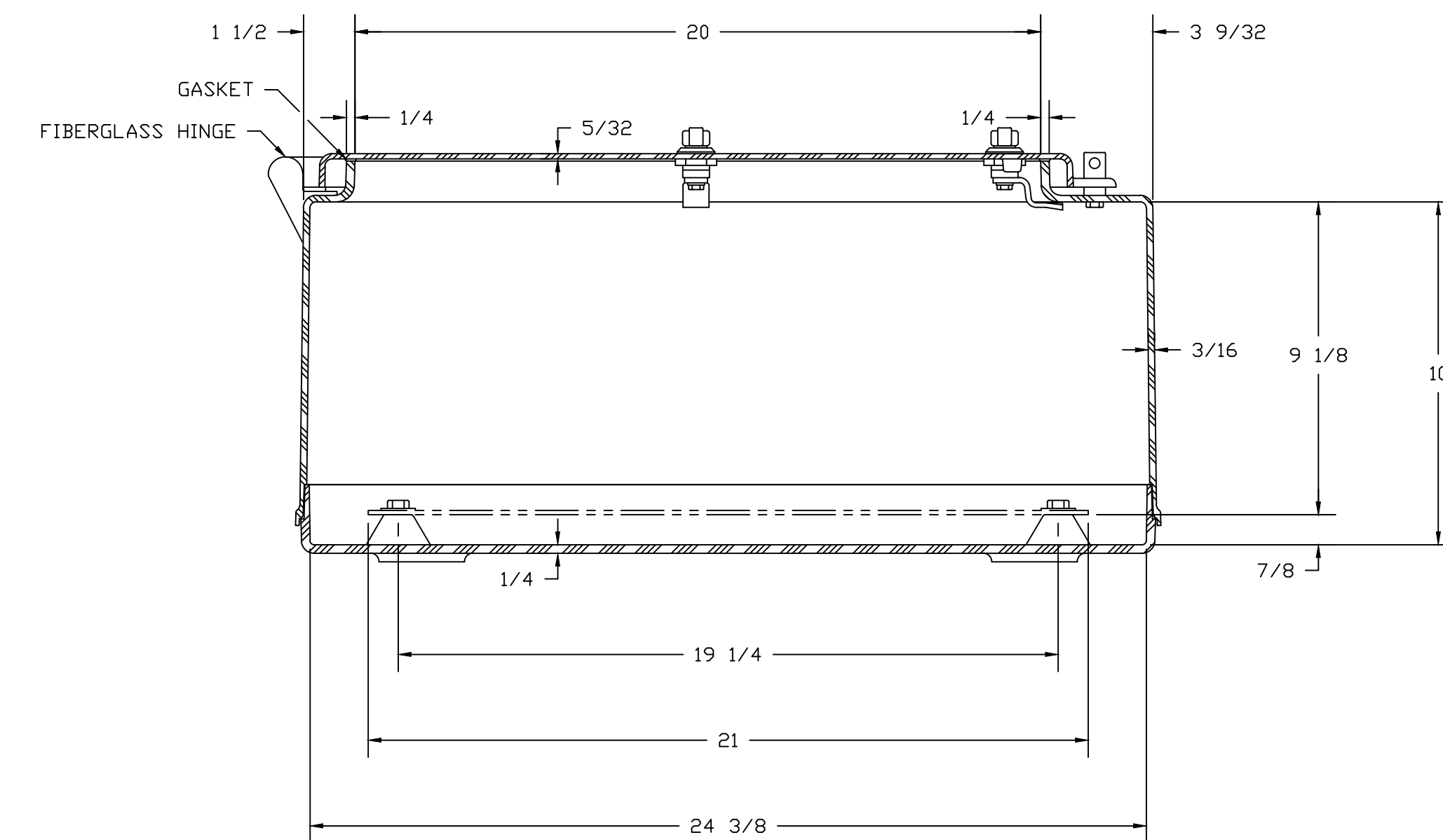
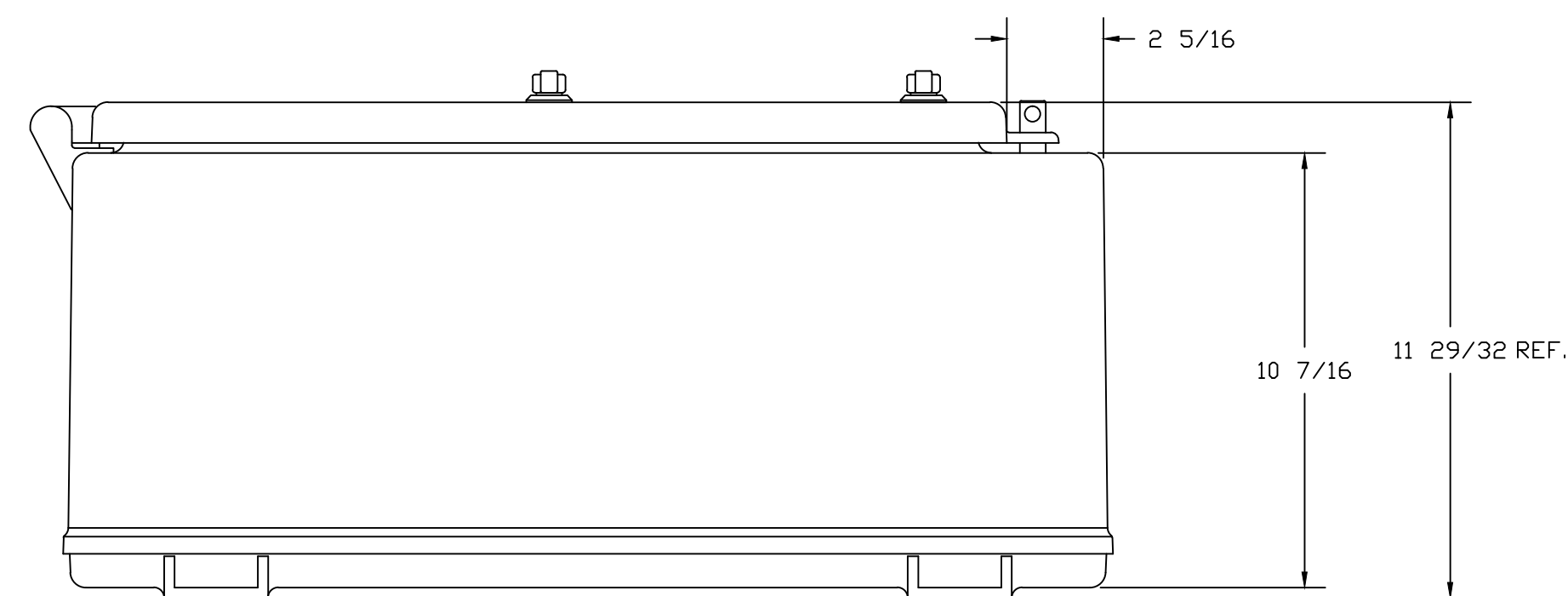



SECTION B-B



SECTION A-A

NOTES:										
NEMA 4X					TOLERANCES UNLESS SPECIFIED		DECIMAL ±.010	FRACTIONAL ± 1/32		
COLOR GLACIER GRAY RR1013										
MATERIAL		DR. BY	DATE	SH		04/23/92		 BELDING, MICHIGAN 48809		
F.R. POLYESTER FIBERGLASS		CHK. BY	DATE							
LET.	REVISION RECORD	DATE	BY	CHD.	APD. BY	DATE	CUSTOMER	AutoCAD DWG. FILE N242410FHLWT		
								SCALE DO NOT SCALE	PART NAME ENCLOSURE	
								PART NO.	N242410FHLWT	