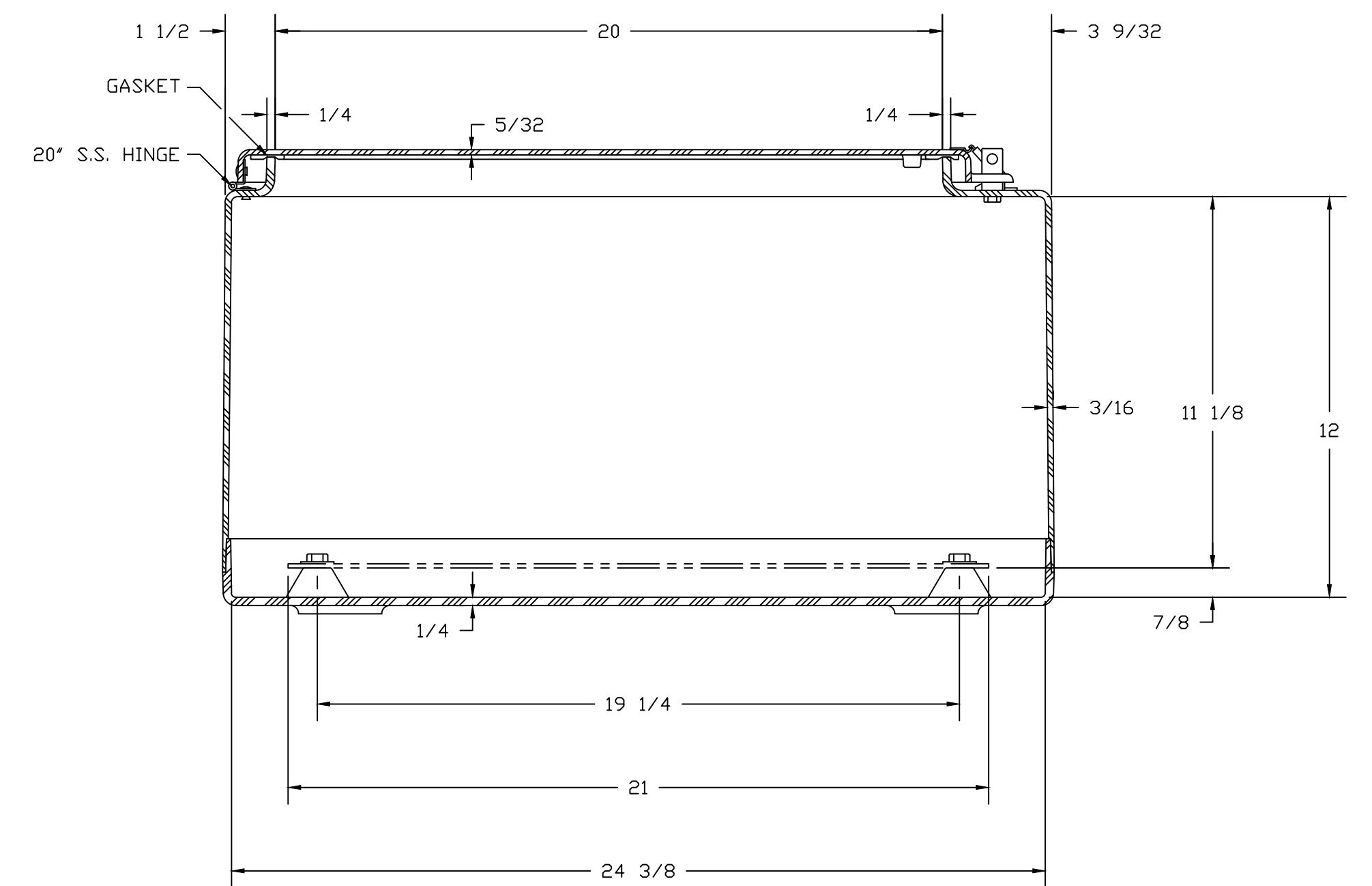
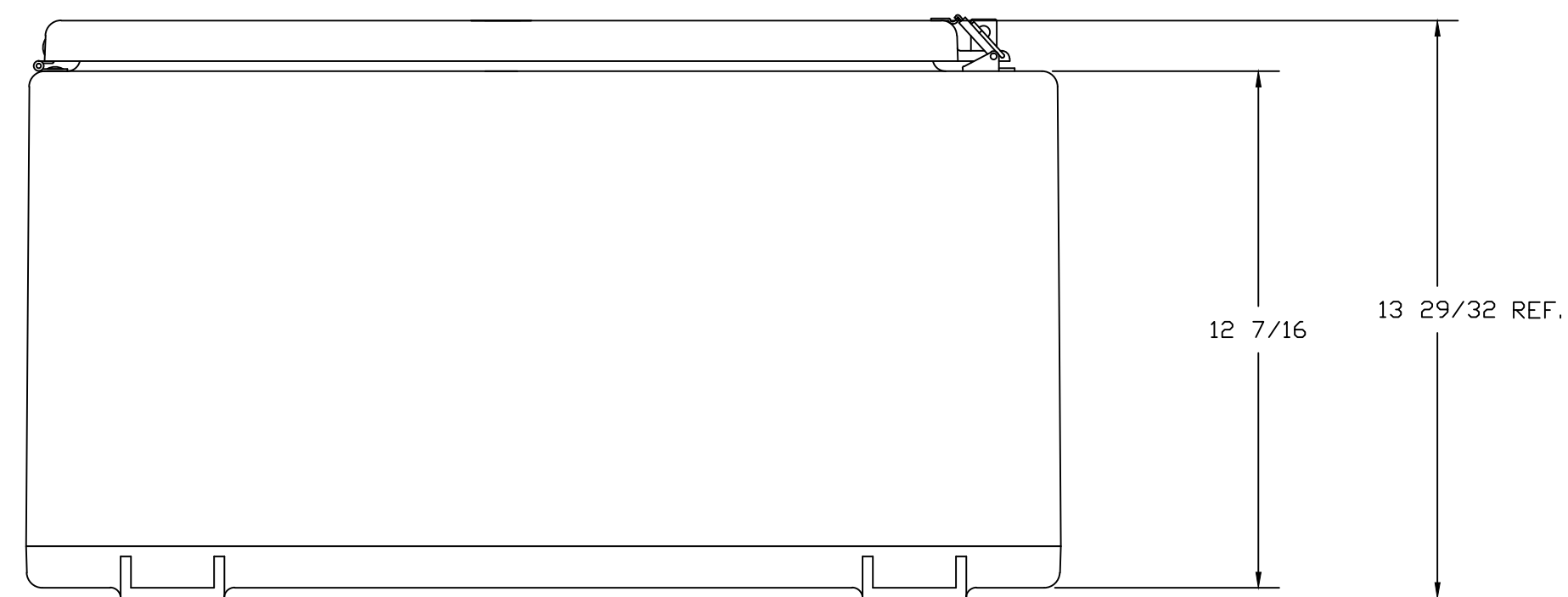



SECTION B-B



SECTION A-A

NOTES:

INTERIOR & EXTERIOR COLOR GLACIER GRAY						TOLERANCES UNLESS SPECIFIED		DECIMAL ±.010	FRACTIONAL ± 1/32
NEMA 4X									
MATERIAL F.R. POLYESTER FIBERGLASS				DR. BY SH	DATE 04/01/92	 BELDING, MICHIGAN 48809 AutoCAD DWG FILE N242412			
LET.	REVISION RECORD	DATE	BY	CHD.	CHK. BY				
					APD. BY	DATE	CUSTOMER		
SCALE DO NOT SCALE				PART NAME ENCLOSURE		PART NO. N242412			