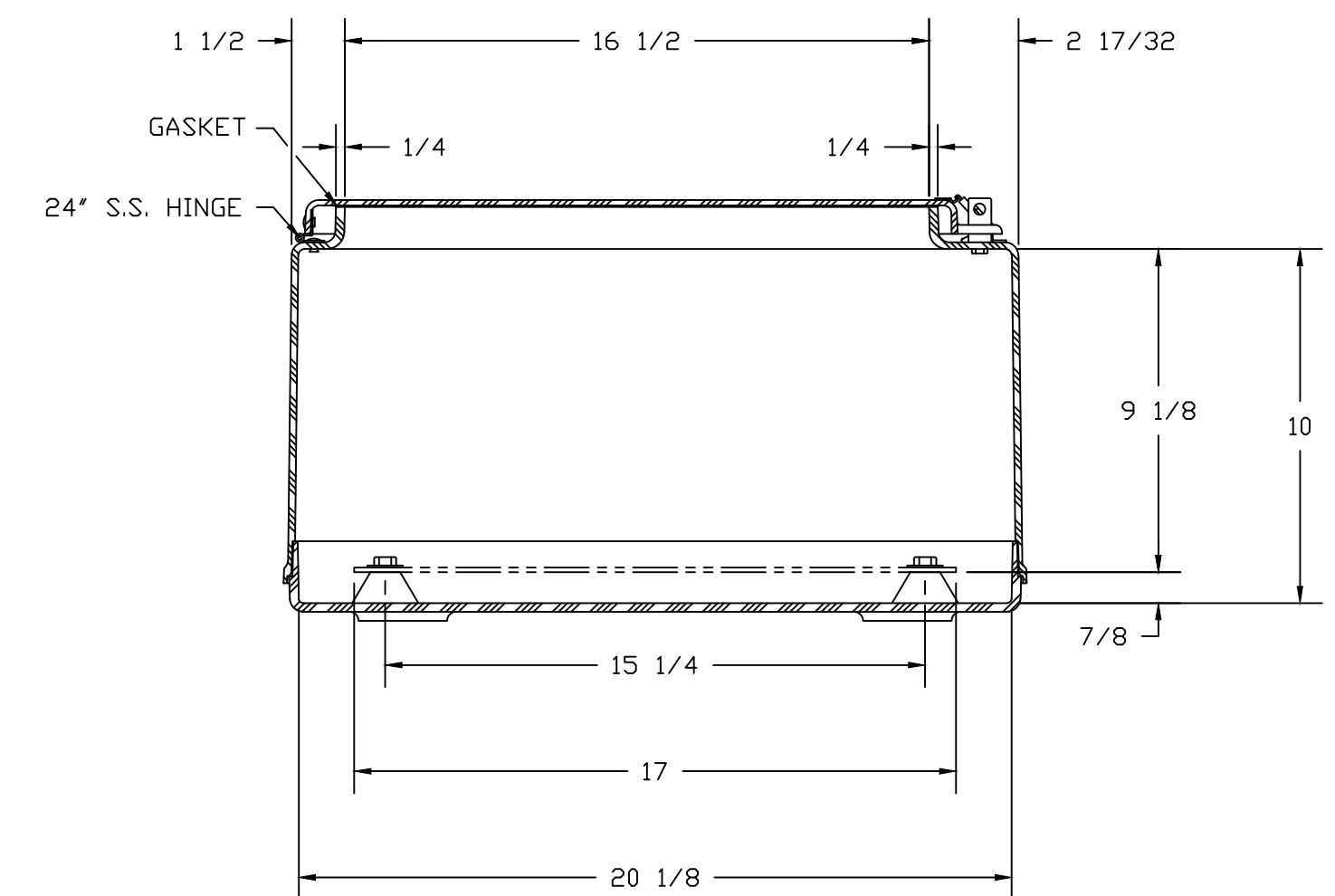
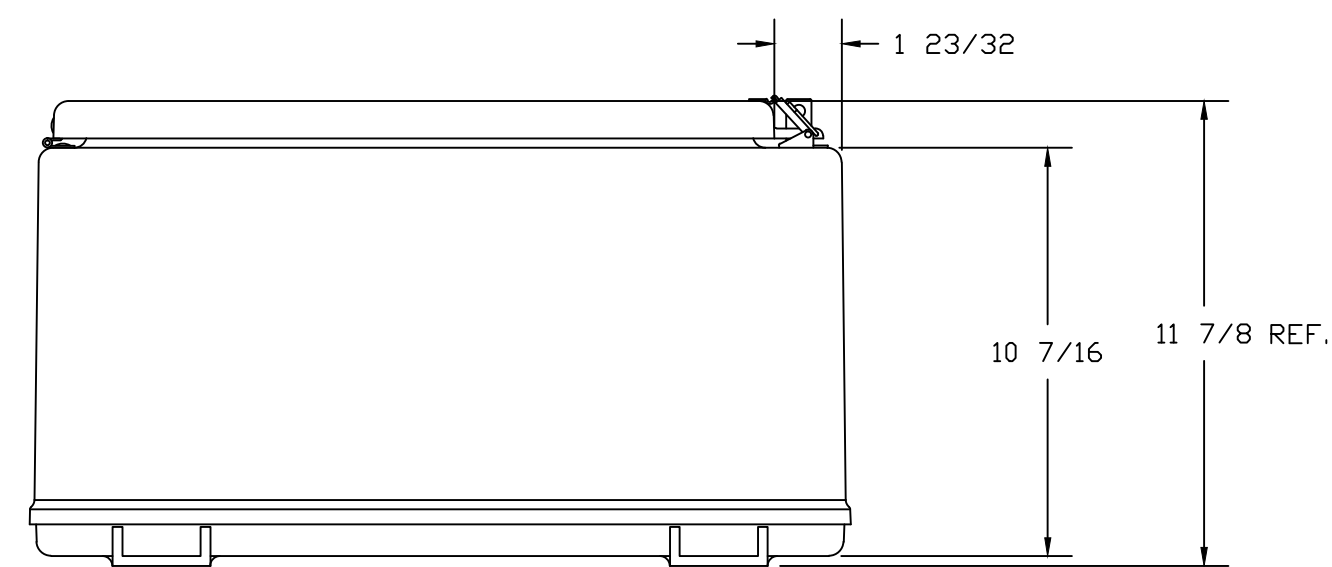


SECTION B-B



SECTION A-A

NOTES:

NEMA 3		TOLERANCES UNLESS SPECIFIED		DECIMAL ±.010	FRACTIONAL ± 1/32
COLD R. GLACIER GRAY RR1013					
MATERIAL	F.R. POLYESTER FIBERGLASS	DR. BY	SH	DATE	04/07/92
LET.	REVISION RECORD	DATE	BY	CHK. BY	CHD.
				APD. BY	DATE
SCALE DO NOT SCALE		PART NAME ENCLOSURE		PART NO. N302010RT	

**STAHLIN ENCLOSURES**  
DIVISION OF ROBROY INDUSTRIES

BELDING, MICHIGAN 48809

AutoCAD DWG. FILE N302010RT