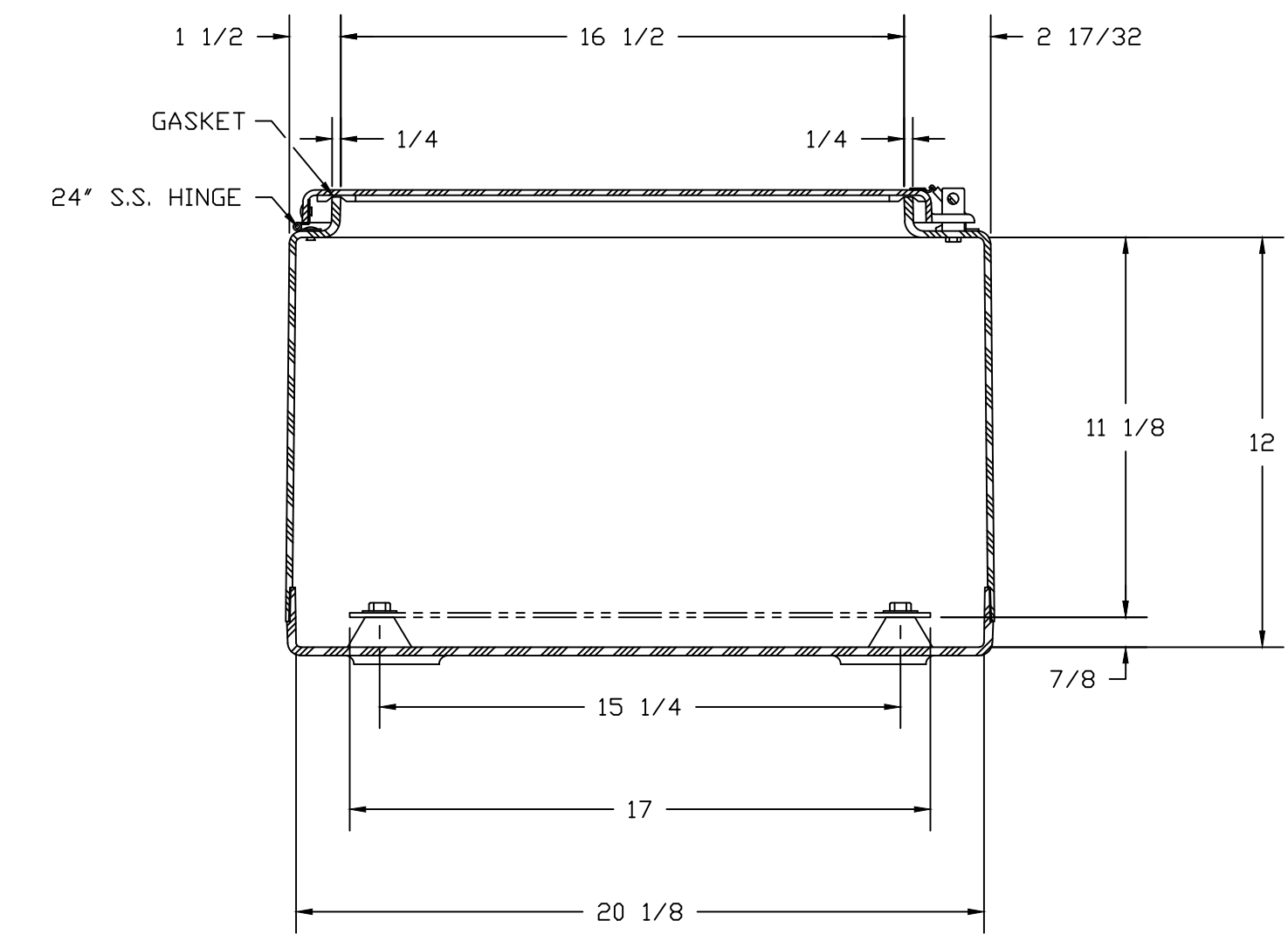
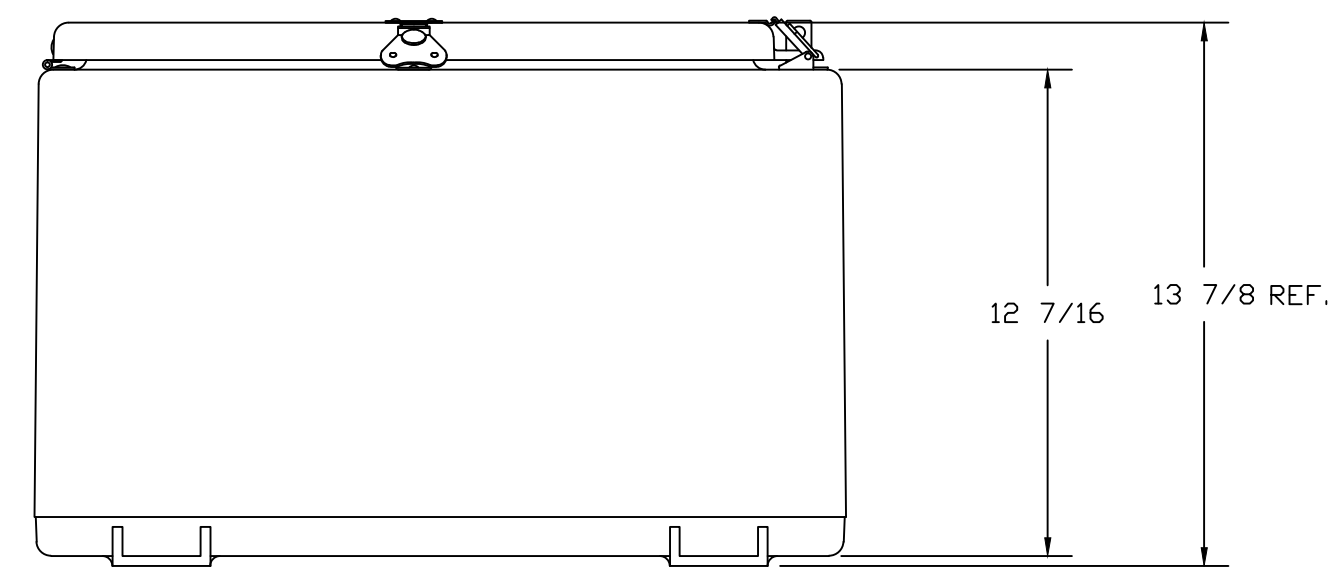



SECTION B-B



SECTION A-A

NOTES:

INTERIOR & EXTERIOR COLOR GLACIER GRAY				TOLERANCES UNLESS SPECIFIED		DECIMAL ± .010	FRACTIONAL ± 1/32
NEMA 4X							
MATERIAL	F.R. POLYESTER FIBERGLASS	DR. BY SH	DATE 04/07/92	 STAHLIN ENCLOSURES DIVISION OF ROBROY INDUSTRIES			
LET.	REVISION RECORD	DATE	BY				
				APD. BY	DATE	CUSTOMER	
				SCALE DO NOT SCALE		PART NAME ENCLOSURE	PART NO. N302012HWT

AutoCAD DWG FILE N302012HWT