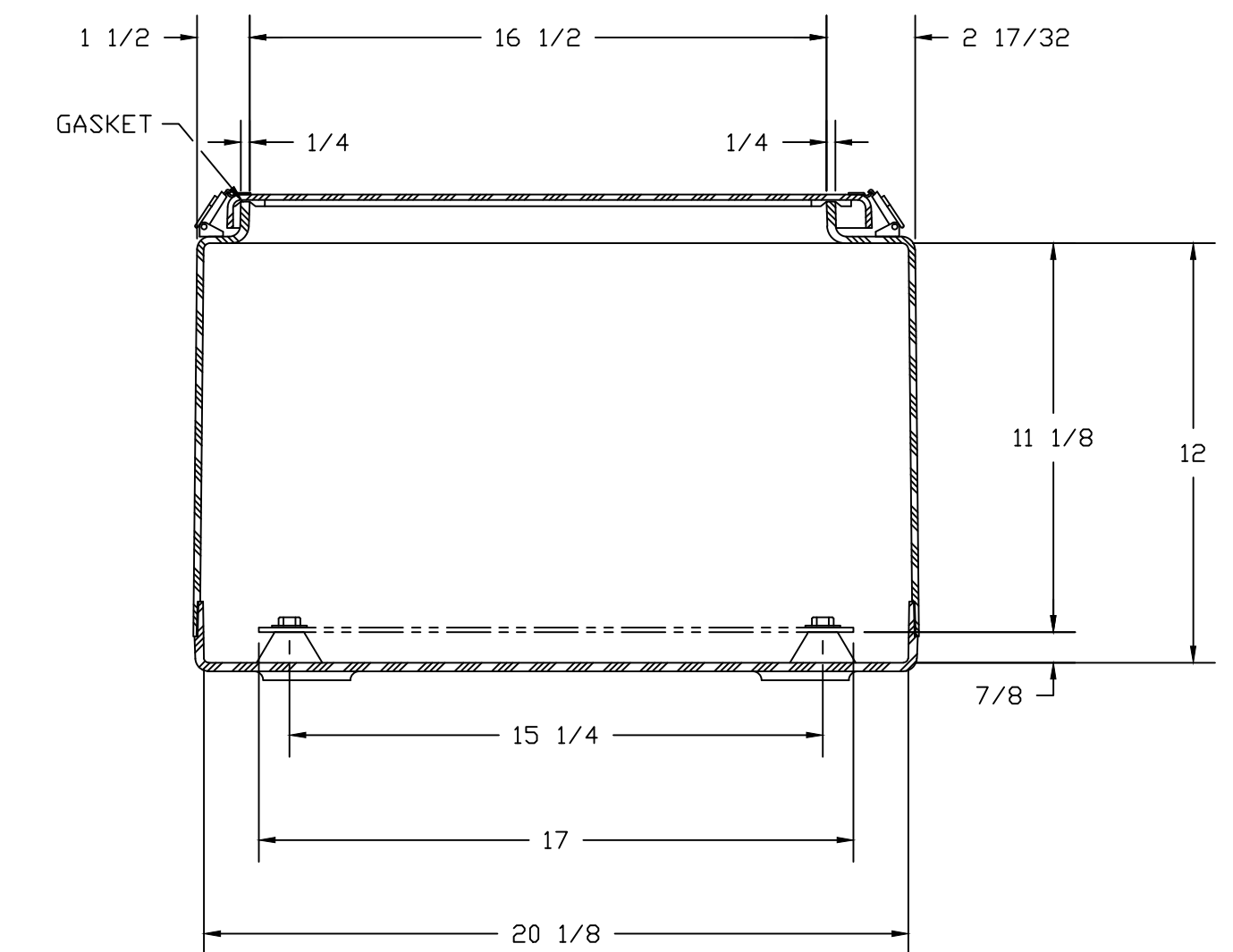
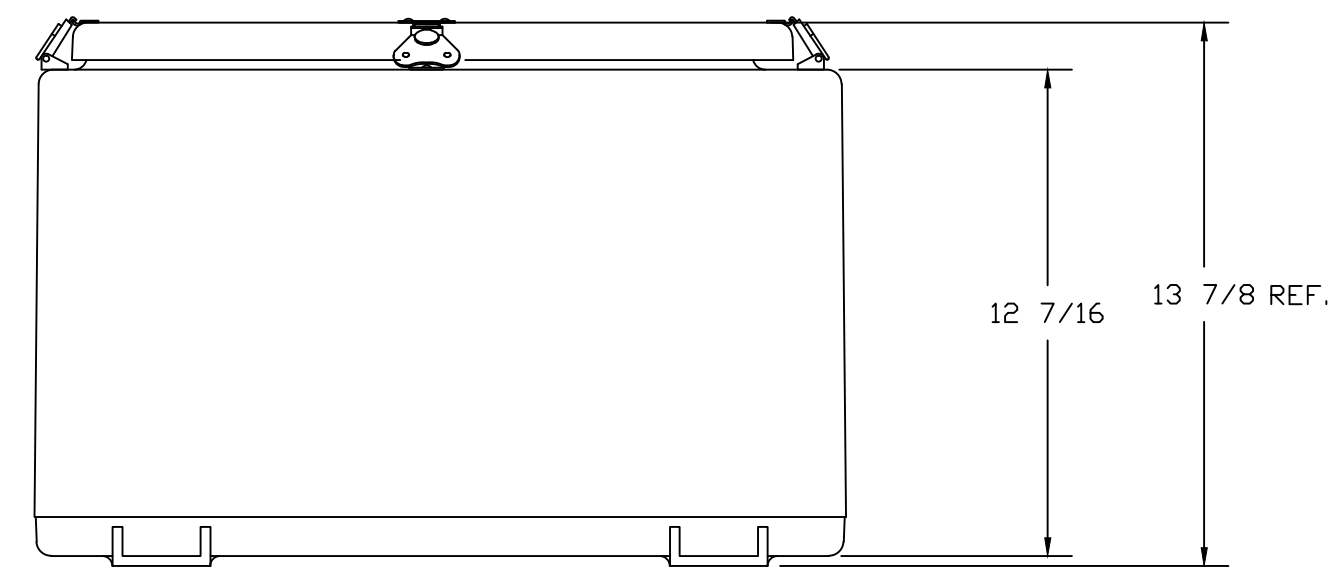



SECTION B-B



SECTION A-A

NOTES:

INTERIOR & EXTERIOR COLOR GLACIER GRAY						TOLERANCES UNLESS SPECIFIED		DECIMAL ± .010	FRACTIONAL ± 1/32
NEMA 4X									
MATERIAL F.R. POLYESTER FIBERGLASS				DR. BY SH	DATE 04/07/92	 STAHLIN ENCLOSURES DIVISION OF ROBROY INDUSTRIES BELDING, MICHIGAN 48809			
LET.	REVISION RECORD	DATE	BY	CHD.	CHK. BY				
					APD. BY	DATE	CUSTOMER		AutoCAD DWG. FILE N302012WT
SCALE DO NOT SCALE						PART NAME ENCLOSURE		PART NO. N302012WT	