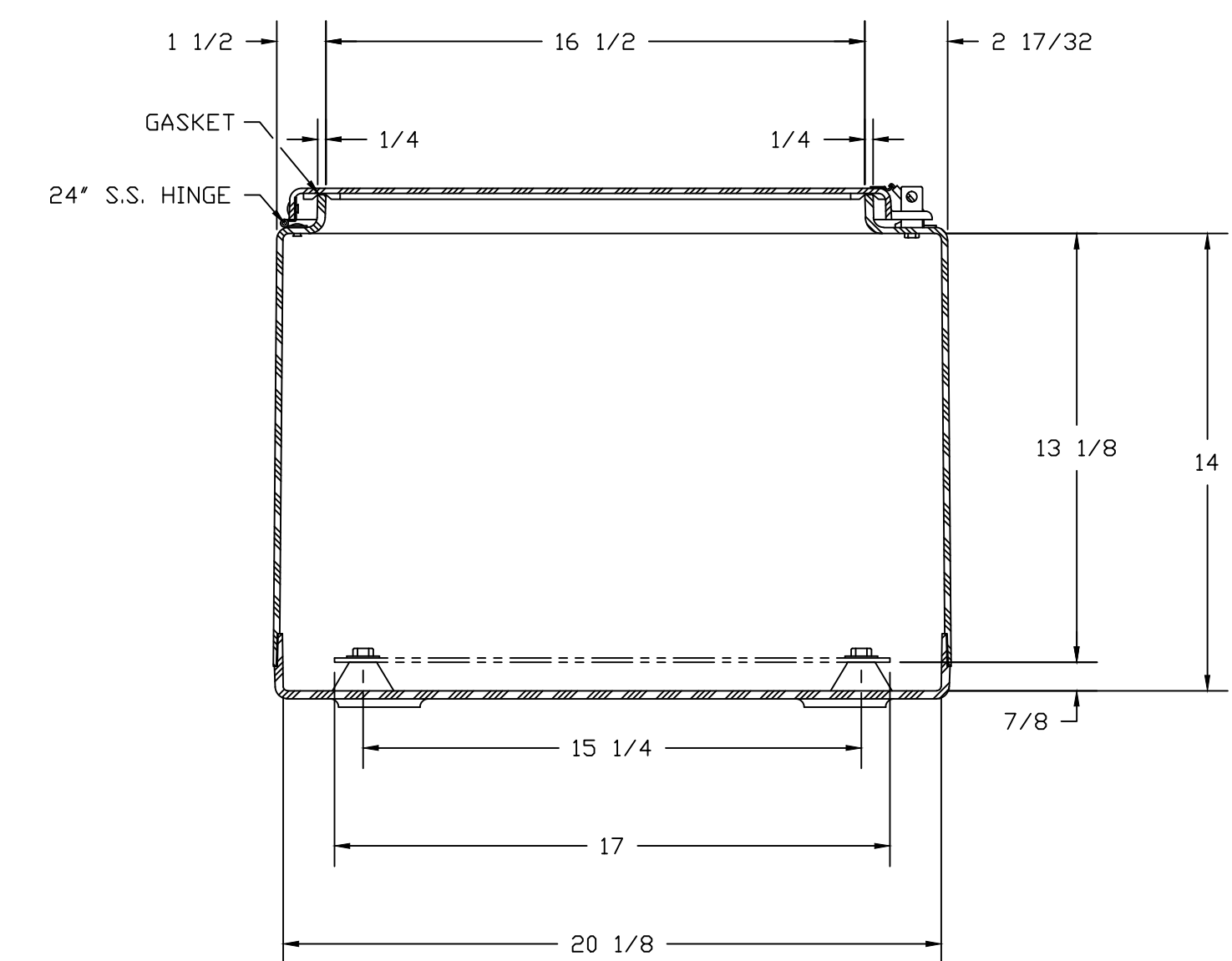
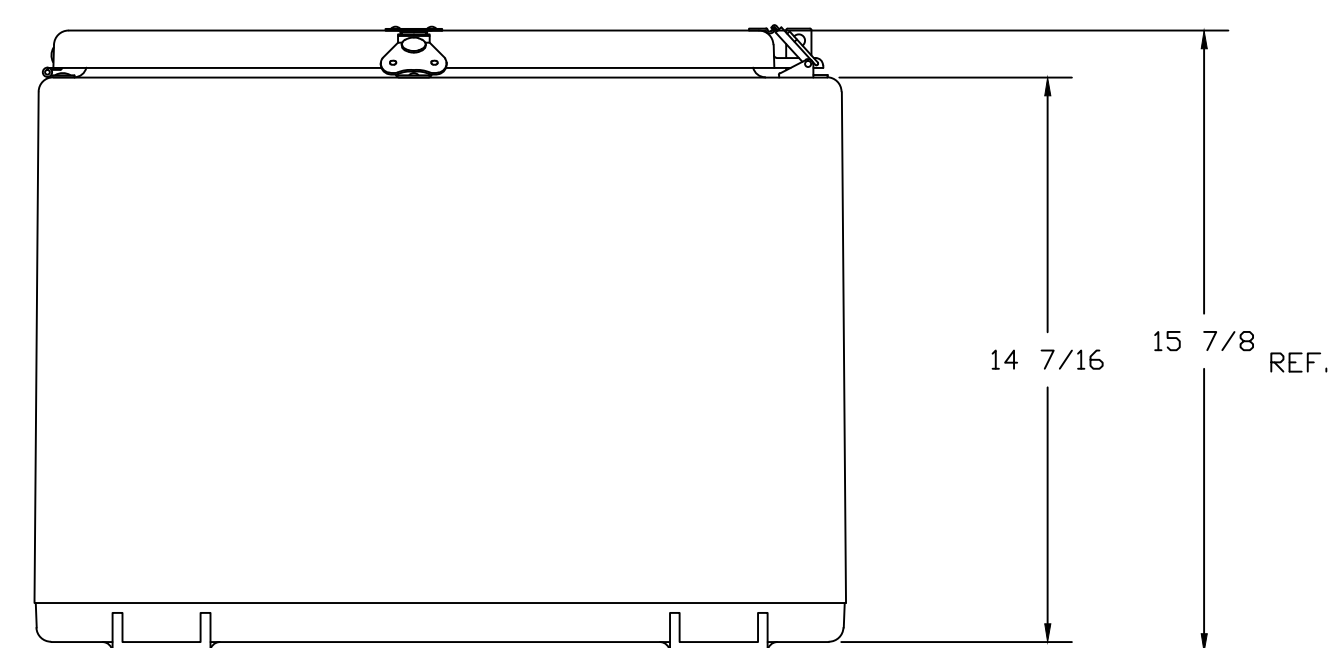


SECTION B-B



SECTION A-A

NOTES:

INTERIOR & EXTERIOR COLOR GLACIER GRAY		TOLERANCES UNLESS SPECIFIED		DECIMAL ± .010	FRACTIONAL ± 1/32
NEMA 4X					
MATERIAL	F.R. POLYESTER FIBERGLASS	DR. BY	SH	DATE	04/07/92
LET.	REVISION RECORD	DATE	BY	CHD.	CHK. BY
					DATE
					APD. BY
					DATE
					CUSTOMER
					AutoCAD DWG. FILE
					N302014HWT
					SCALE DO NOT SCALE
					PART NAME ENCLOSURE
					PART NO. N302014HWT

