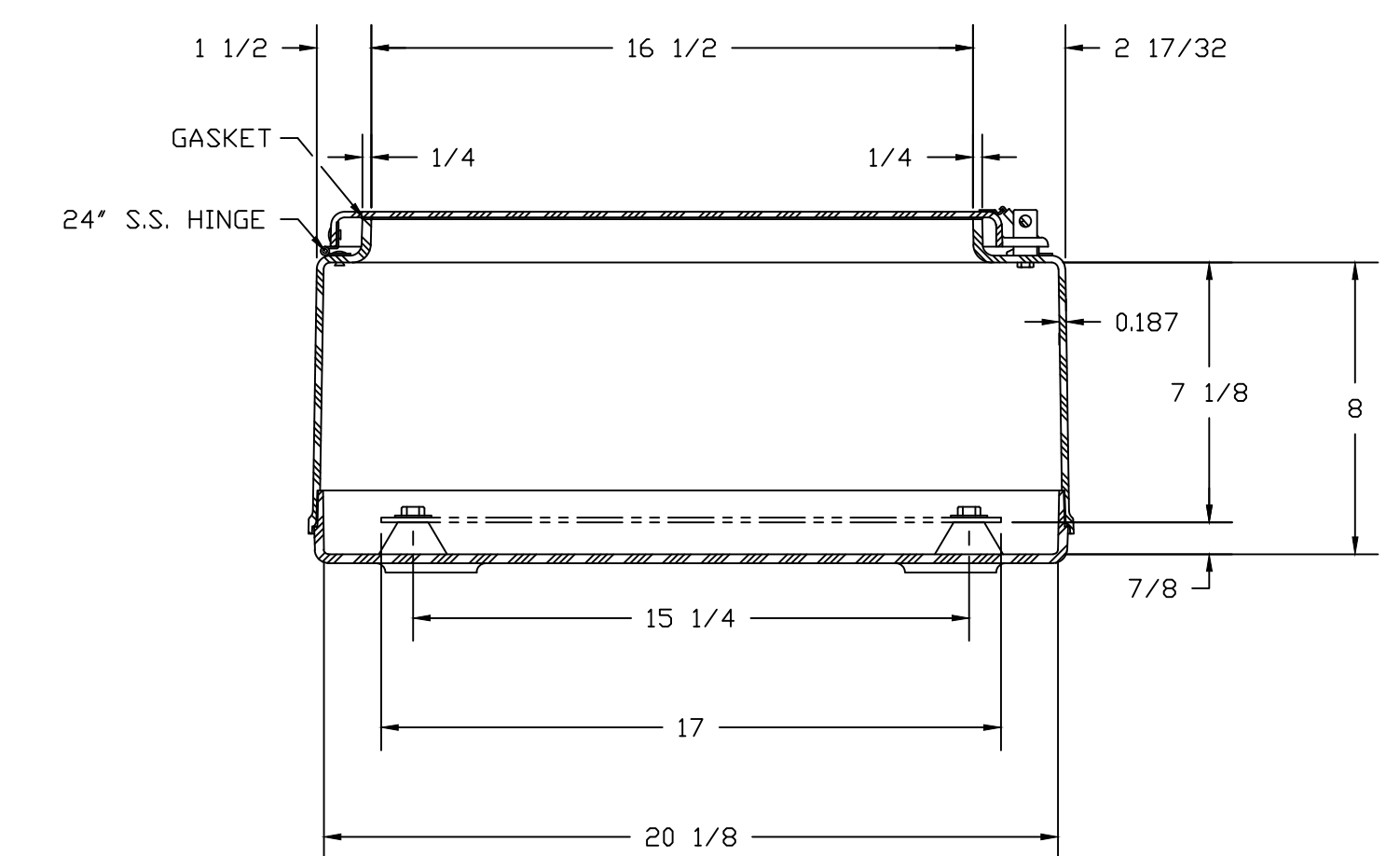
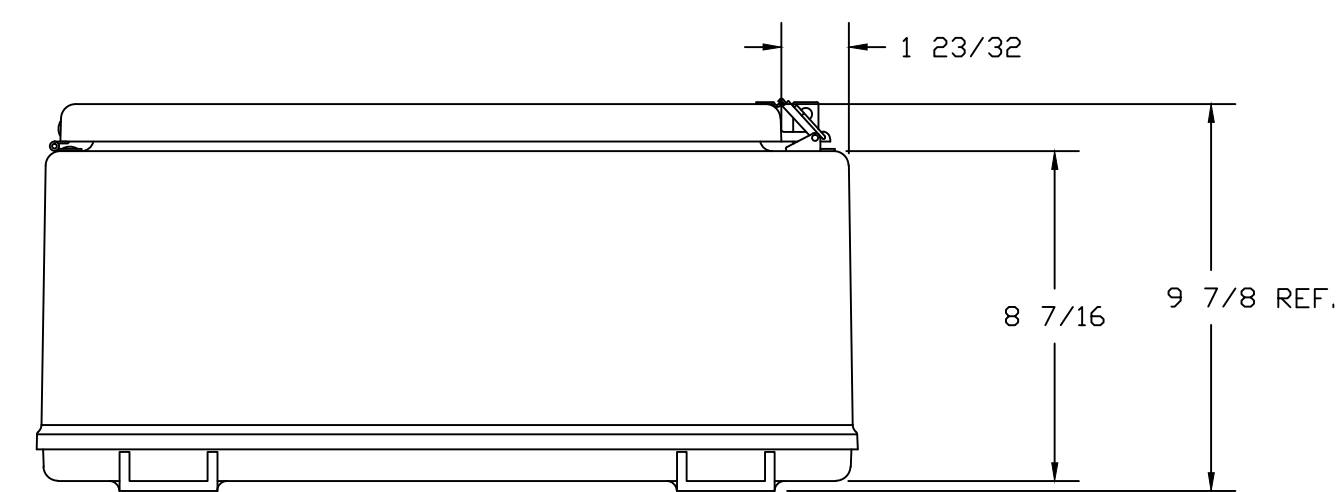



SECTION B-B



SECTION A-A

NOTES:

NEMA 12		TOLERANCES UNLESS SPECIFIED		DECIMAL ±.010	FRACTIONAL ± 1/32			
COLOR GLACIER GRAY RR1013								
MATERIAL	F.R. POLYESTER FIBERGLASS	DR. BY SH	DATE 04/06/92	 <b>STAHLIN ENCLOSURES</b> DIVISION OF ROBROY INDUSTRIES BELDING, MICHIGAN 48809				
LET.	REVISION RECORD	DATE	BY			CHD.		
					APD. BY	DATE	CUSTOMER	AutoCAD DWG. FILE
					SCALE DO NOT SCALE	PART NAME ENCLOSURE	PART NO. N30208	N30208