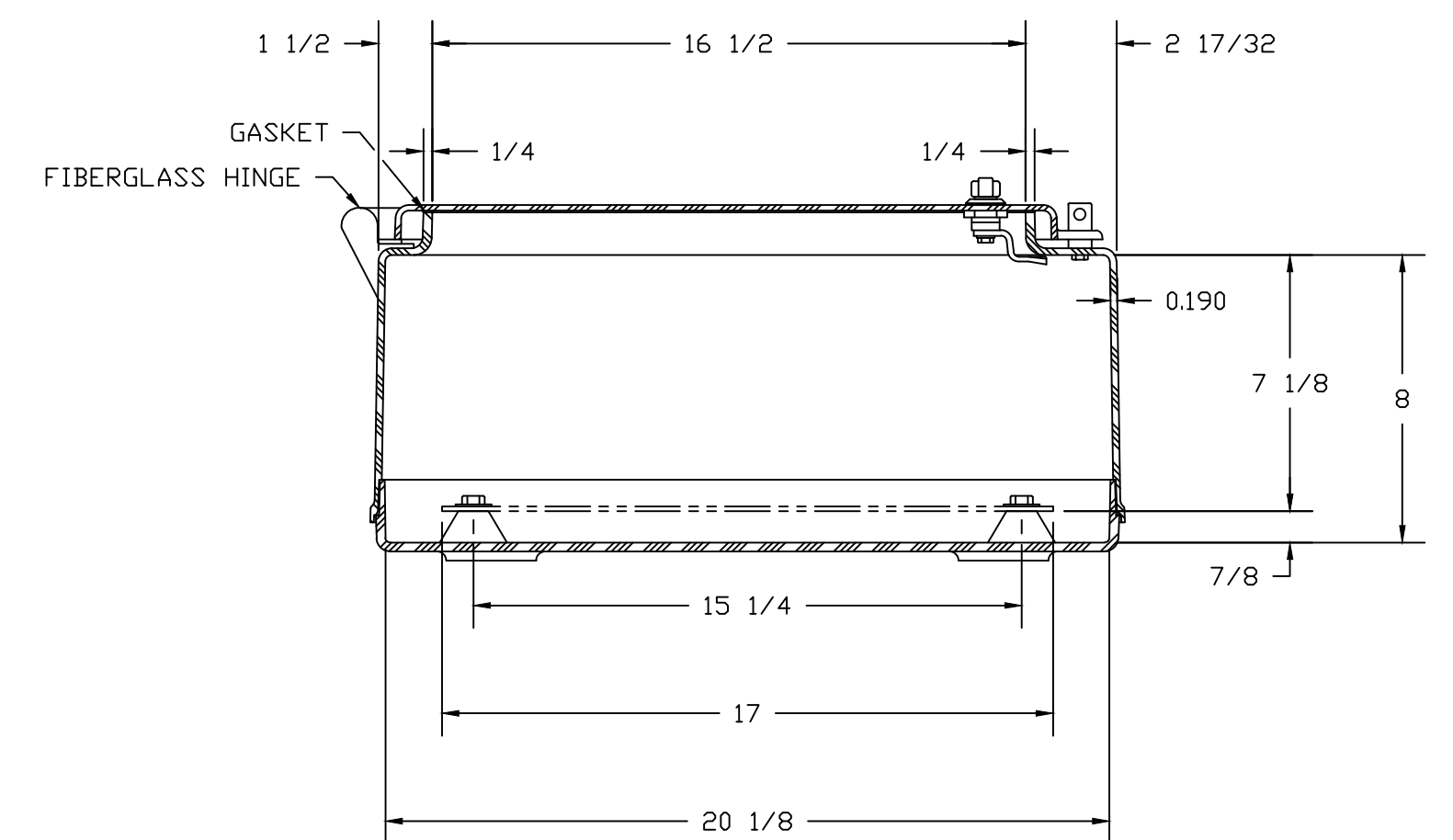
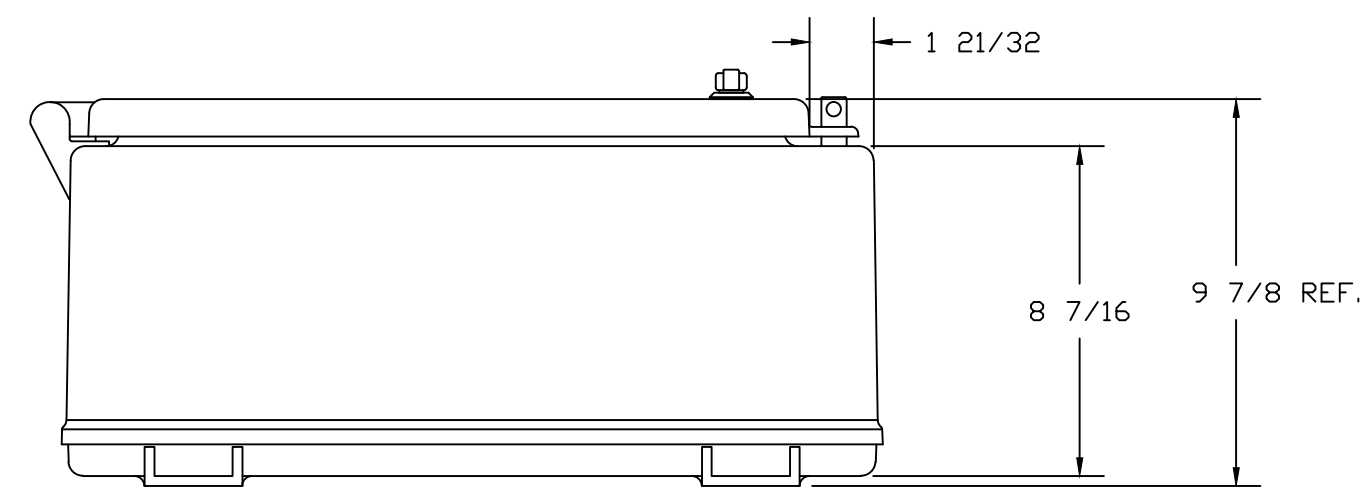



SECTION B-B



SECTION A-A

NOTES:

NEMA 3				TOLERANCES UNLESS SPECIFIED		DECIMAL ± .010	FRACTIONAL ± 1/32
COLOR: GLACIER GRAY R1013							
MATERIAL		DR. BY	DATE	 STAHLIN ENCLOSURES DIVISION OF ROBROY INDUSTRIES			
F.R. POLYESTER FIBERGLASS		SH	04/27/92				
LET.	REVISION RECORD	DATE	BY	CHD.	CHK. BY	DATE	BELDING, MICHIGAN 48809
					APD. BY	DATE	CUSTOMER
				SCALE DO NOT SCALE		PART NAME ENCLOSURE	PART NO. N30208FHLRT