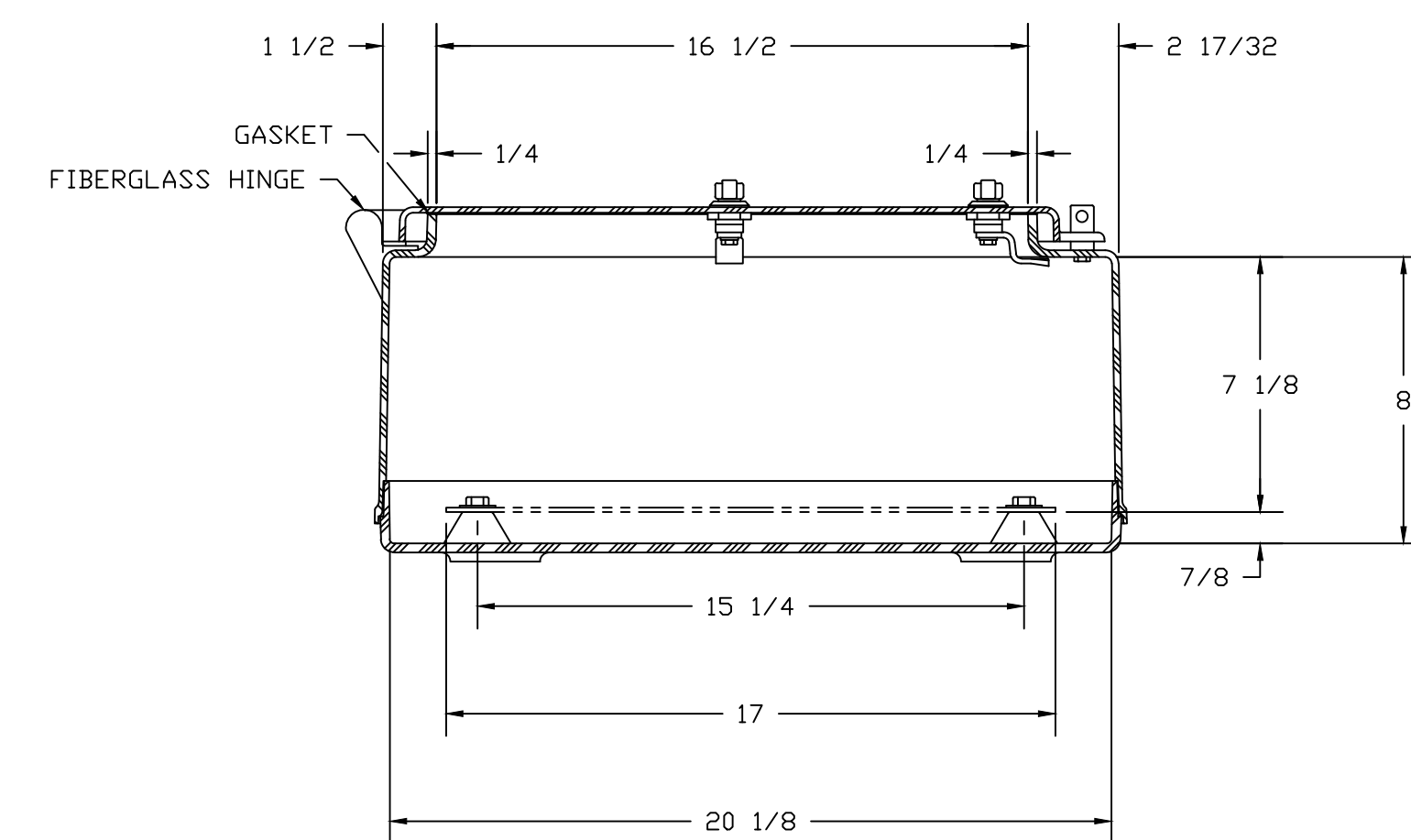
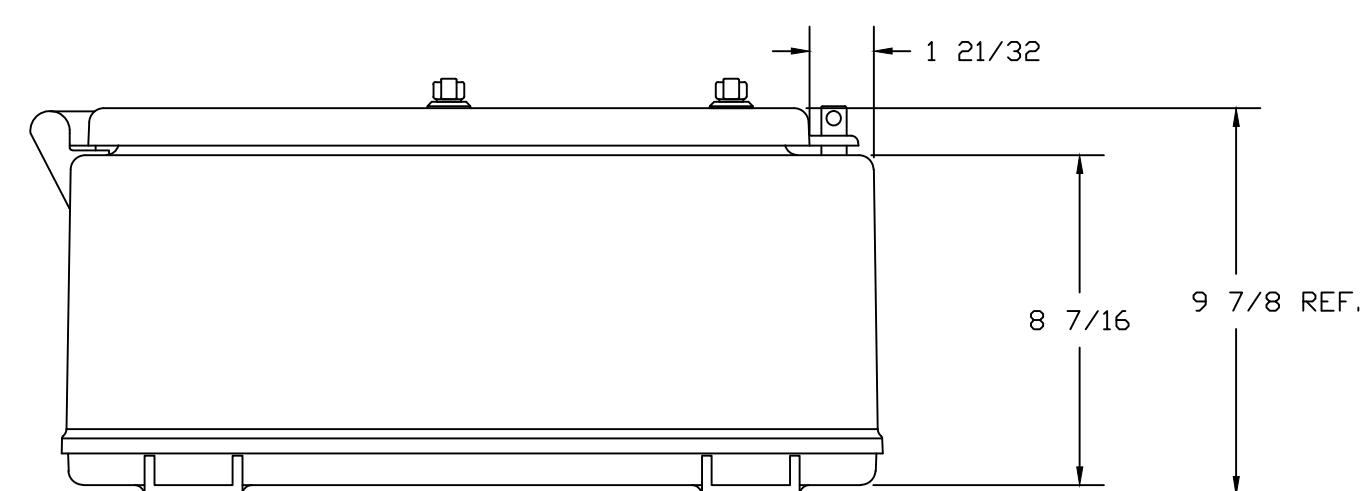


SECTION B-B



SECTION A-A

NOTES:

NEMA 4X		TOLERANCES UNLESS SPECIFIED		DECIMAL ±.010	FRACTIONAL ± 1/32
COLD R. GLACIER GRAY RR1013					
MATERIAL	F.R. POLYESTER FIBERGLASS	DR. BY	SH	DATE	04/27/92
LET.	REVISION RECORD	DATE	BY	CHK. BY	CHD.
SCALE DO NOT SCALE		PART NAME ENCLOSURE		PART NO. N30208FHLWT	

**STAHLIN ENCLOSURES**  
DIVISION OF ROBROY INDUSTRIES

BELDING, MICHIGAN 48809

AutoCAD DWG. FILE N30208FHLWT