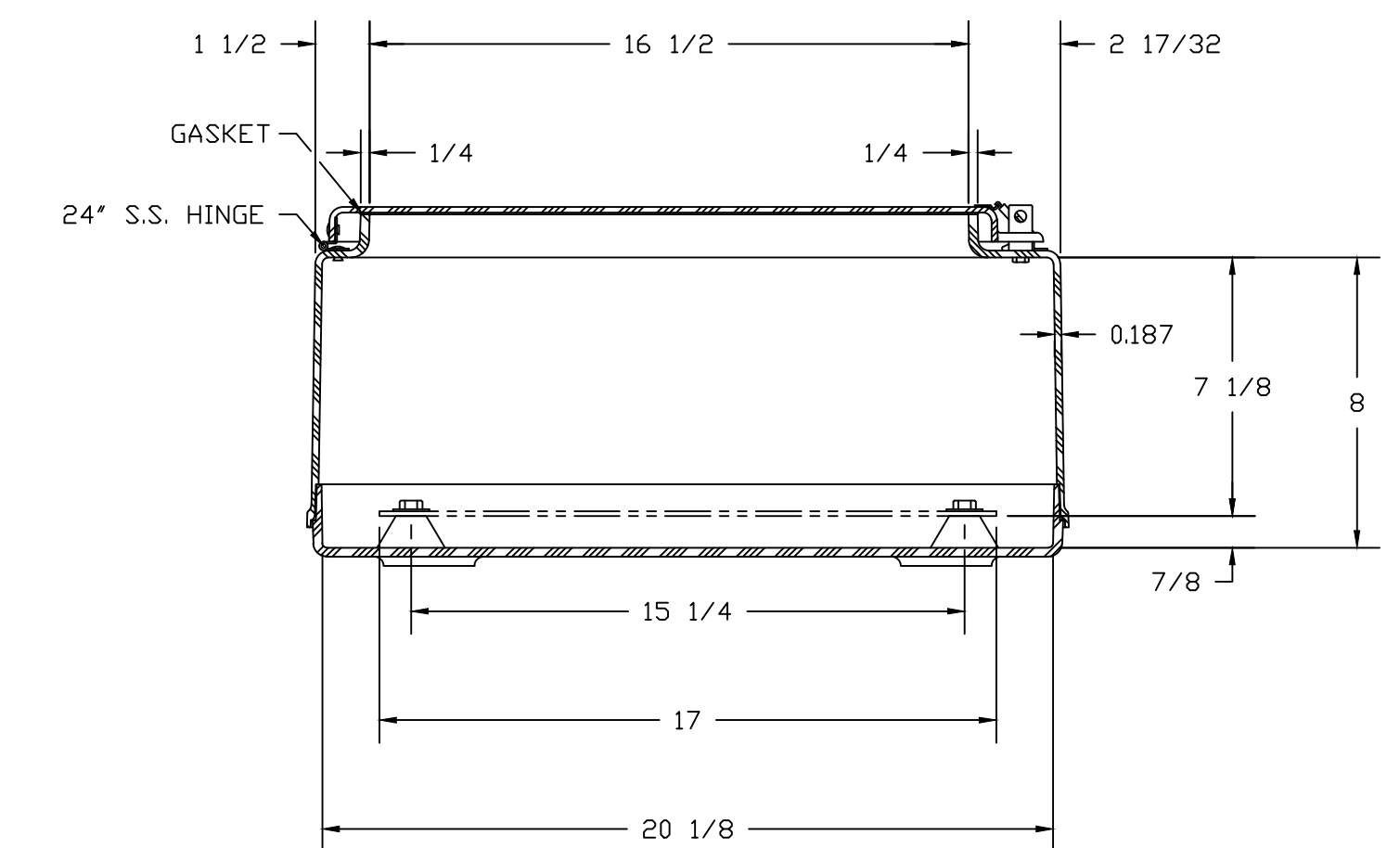
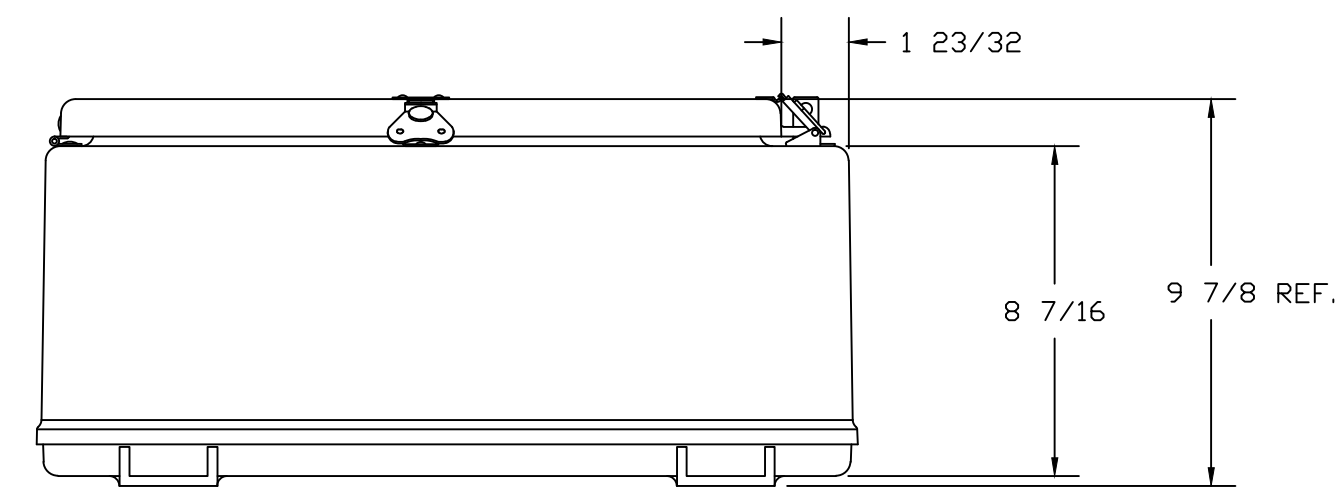


SECTION B-B



SECTION A-A

NOTES:

NEMA 4X		TOLERANCES UNLESS SPECIFIED		DECIMAL ±.010	FRACTIONAL ± 1/32
COLOR: GLACIER GRAY RR1013					
MATERIAL	F.R. POLYESTER FIBERGLASS	DR. BY	SH	DATE	04/06/92
LET.	REVISION RECORD	DATE	BY	CHD.	CHK. BY
					DATE
					APD. BY
					DATE
					SCALE
					DO NOT SCALE
PART NAME		ENCLOSURE		PART NO.	
				N30208HWT	

STAHLIN ENCLOSURES
DIVISION OF ROBROY INDUSTRIES

BELDING, MICHIGAN 48809

AutoCAD DWG. FILE N30208HWT