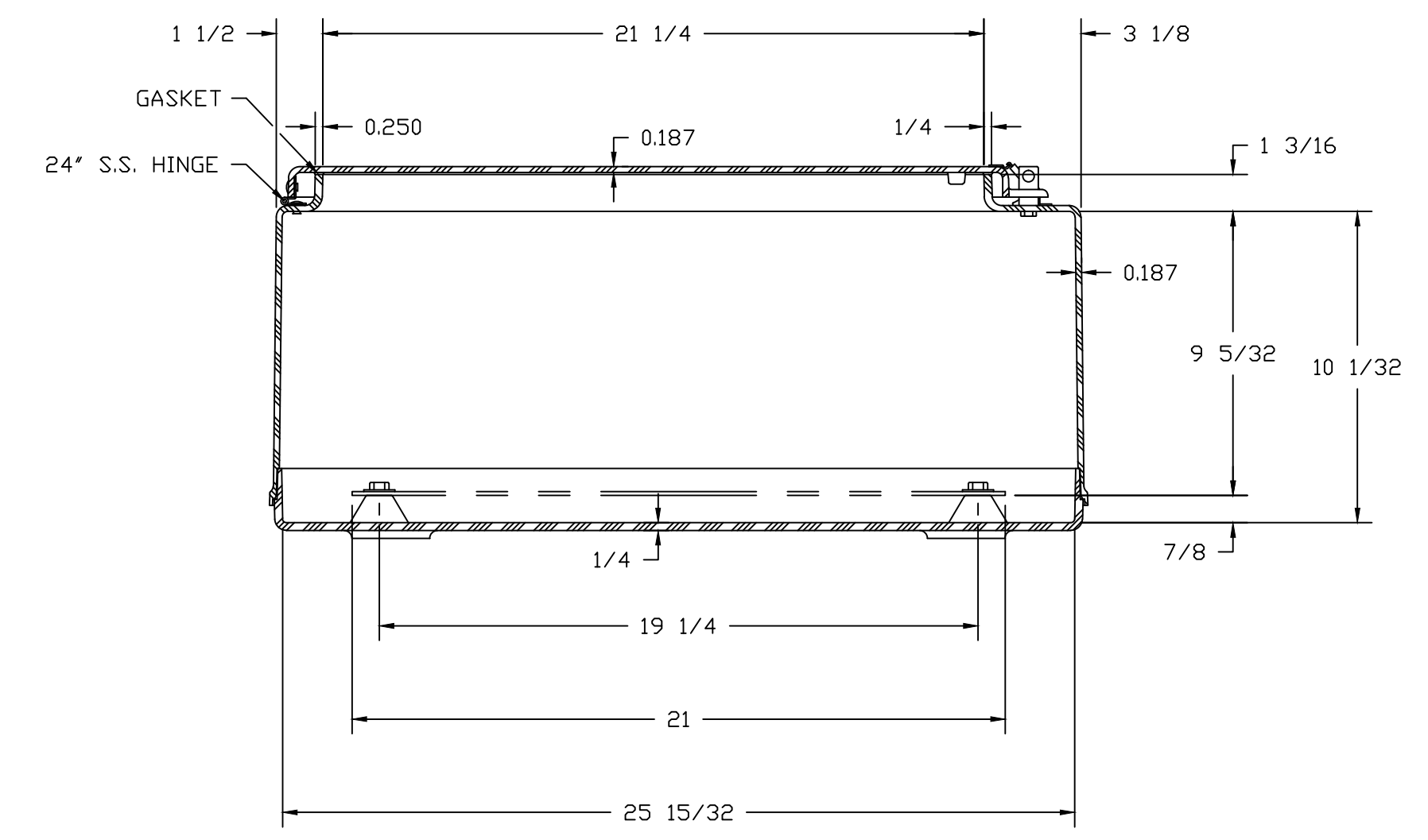
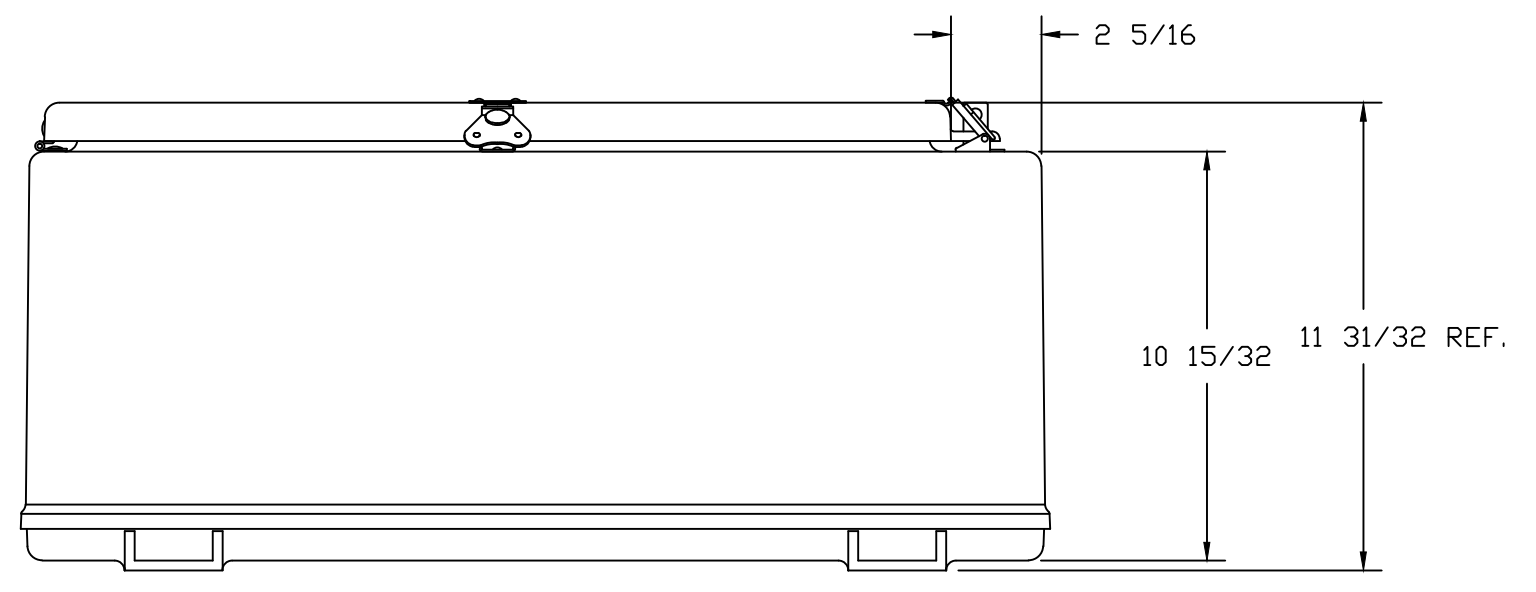



SECTION B-B



SECTION A-A

NOTES:		NEMA 4X		TOLERANCES UNLESS SPECIFIED		DECIMAL ±.010	FRACTIONAL ± 1/32
MATERIAL		COLOR GLACIER GRAY RR1013		DR. BY SH	DATE 04/01/92	 STAHLIN ENCLOSURES DIVISION OF ROBROY INDUSTRIES BELDING, MICHIGAN 48809	
F.R. POLYESTER FIBERGLASS		REVISION RECORD	DATE	BY	CHD.		
LET.	REVISION RECORD	DATE	BY	CHD.	APD. BY	DATE	CUSTOMER
SCALE DO NOT SCALE		PART NAME ENCLOSURE		PART NO. N302410HWT		AutoCAD DWG. FILE N302410HWT	