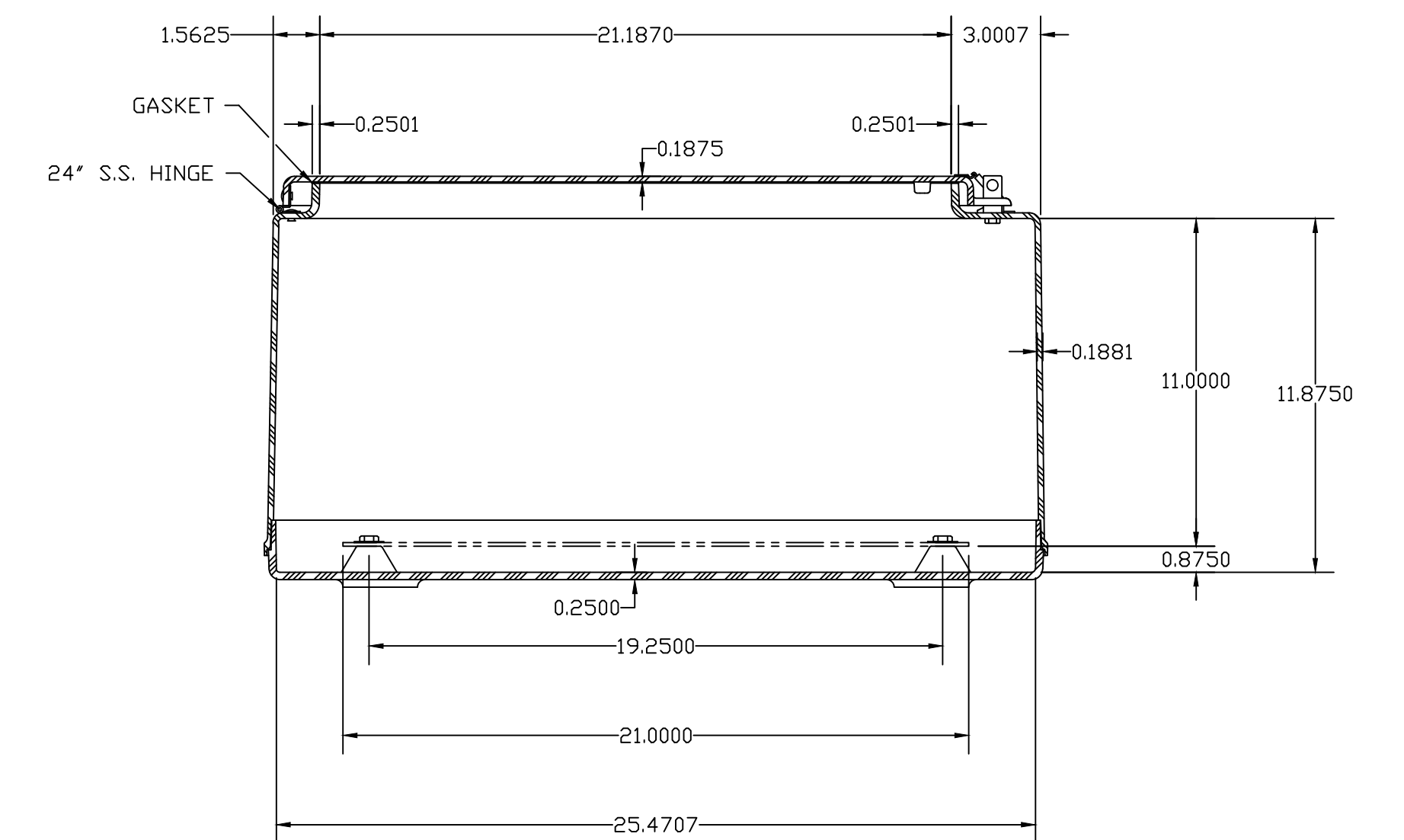
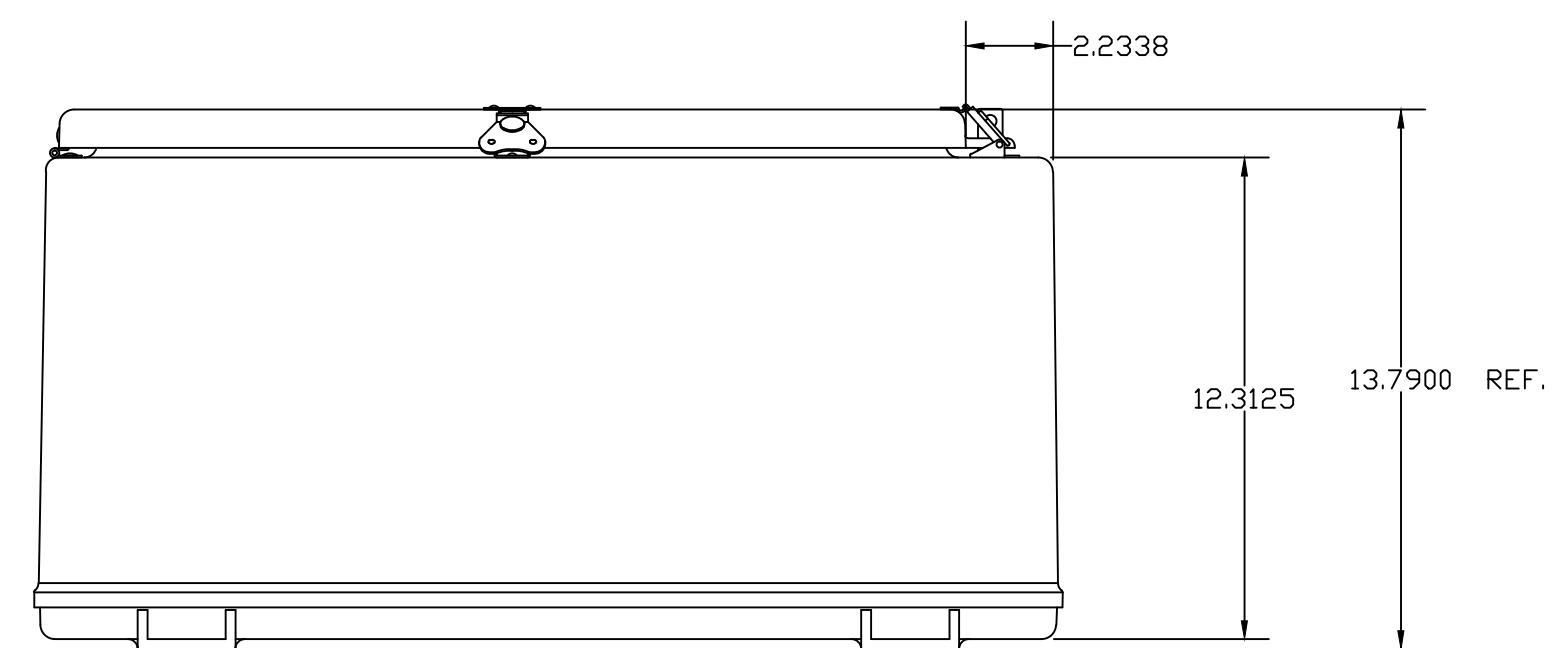


SECTION B-B



SECTION A-A

NOTES:

NEMA 4X		TOLERANCES UNLESS SPECIFIED		DECIMAL ± .010	FRACTIONAL ± 1/32
COLOR GLACIER GRAY RR1013					
MATERIAL	F.R. POLYESTER FIBERGLASS	DR. BY	SH	DATE	04/01/92
LET.	REVISION RECORD	DATE	BY	CHD.	CHK. BY
					DATE
					APD. BY
					DATE
					CUSTOMER
					AutoCAD DWG. FILE
					N302412HWT
					SCALE DO NOT SCALE
					PART NAME ENCLOSURE
					PART NO. N302412HWT

STAHLIN ENCLOSURES
DIVISION OF ROBROY INDUSTRIES
BELDING, MICHIGAN 48809