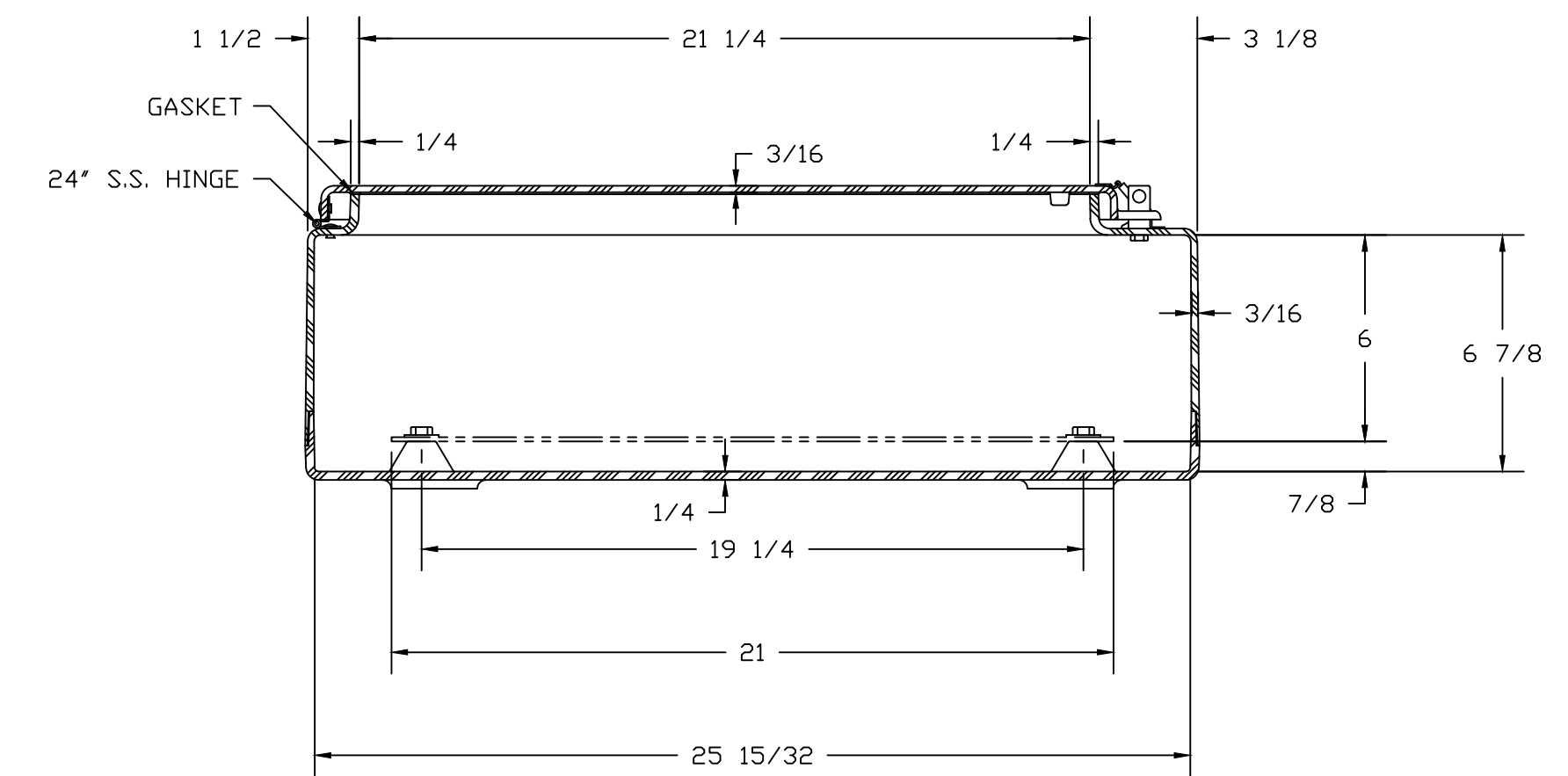
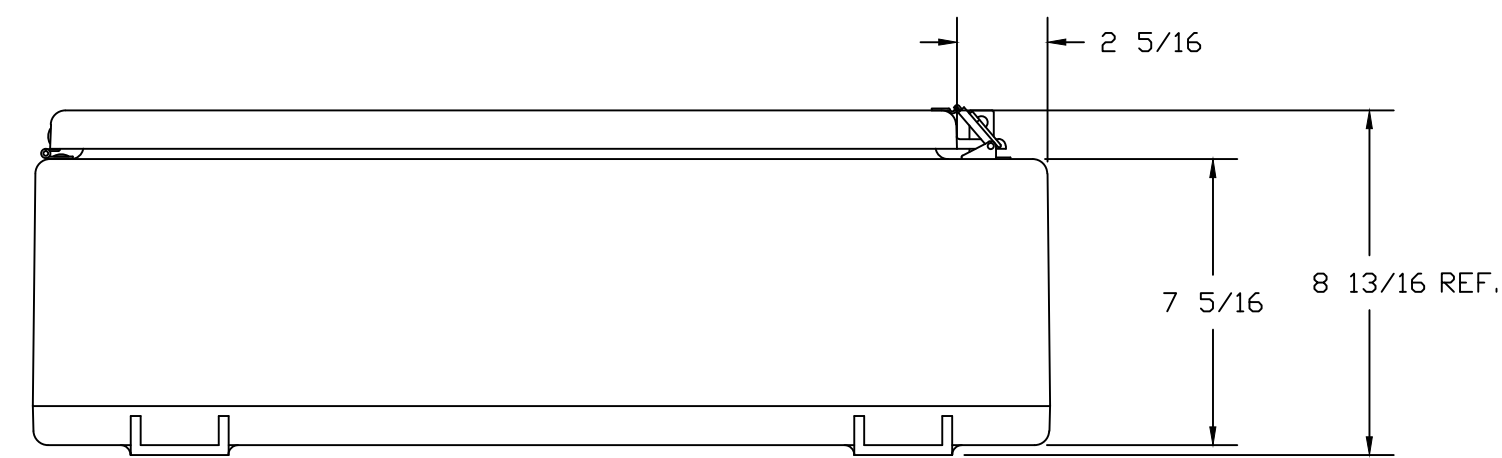


SECTION B-B



SECTION A-A

NOTES:

NEMA 12		TOLERANCES UNLESS SPECIFIED		DECIMAL ±.010	FRACTIONAL ± 1/32
COLOR GLACIER GRAY RR1013					
MATERIAL	F.R. POLYESTER FIBERGLASS	DR. BY	SH	DATE	03/30/92
LET.	REVISION RECORD	DATE	BY	CHK. BY	DATE
				APD. BY	DATE
		SCALE DO NOT SCALE		PART NAME	ENCLOSURE
				PART NO.	N30247

STAHLIN ENCLOSURES
DIVISION OF ROBROY INDUSTRIES

BELDING, MICHIGAN 48809

AutoCAD DWG. FILE N30247