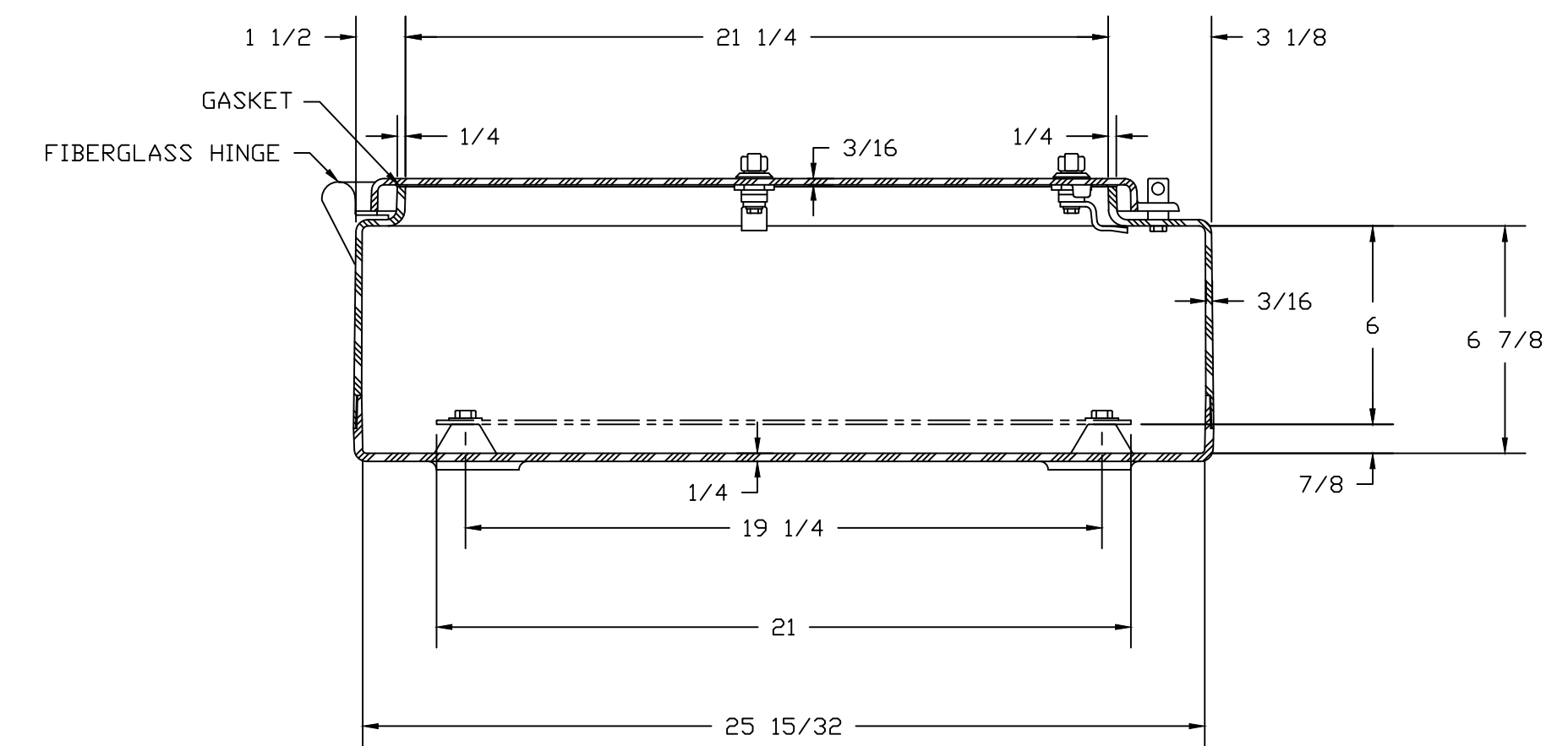
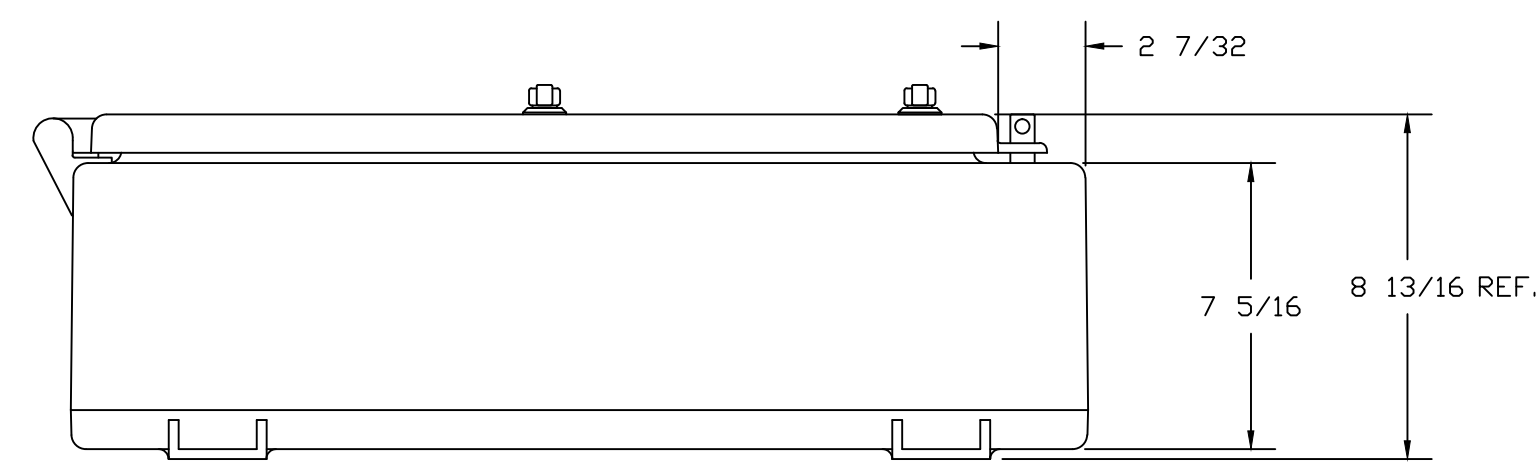



SECTION B-B



SECTION A-A

NOTES:

COLOR GLACIER GRAY RR1013				TOLERANCES UNLESS SPECIFIED		DECIMAL ±.010	FRACTIONAL ± 1/32
NEMA 4X							
MATERIAL		DR. BY	DATE	 STAHLIN ENCLOSURES DIVISION OF ROBROY INDUSTRIES BELDING, MICHIGAN 48809			
F.R. POLYESTER FIBERGLASS		SH	04/28/92				
LET.	REVISION RECORD	DATE	BY	CHD.	APD. BY	DATE	CUSTOMER
							AutoCAD DWG. FILE N30247FHLWT
SCALE DO NOT SCALE				PART NAME ENCLOSURE		PART NO. N30247FHLWT	