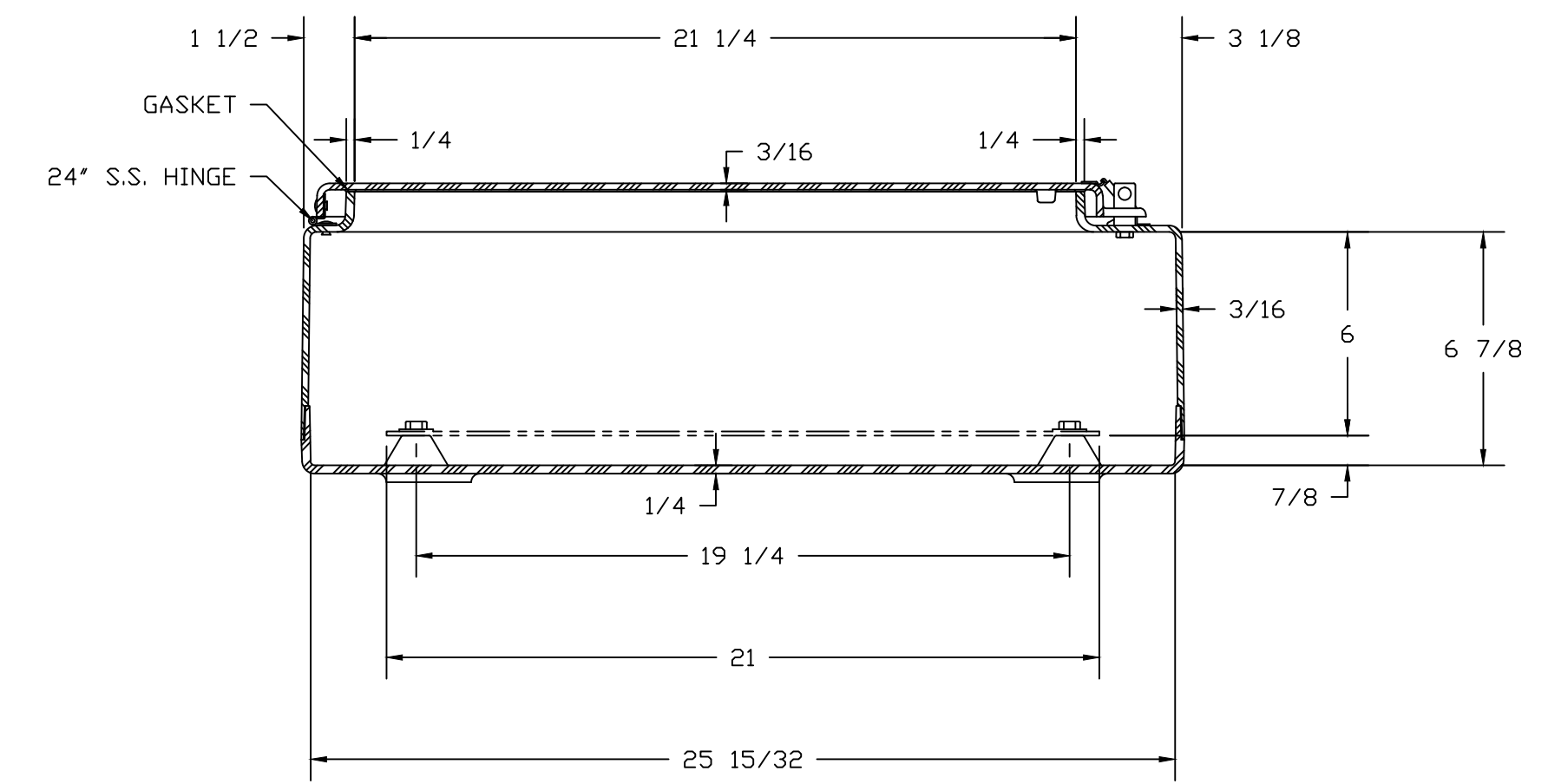
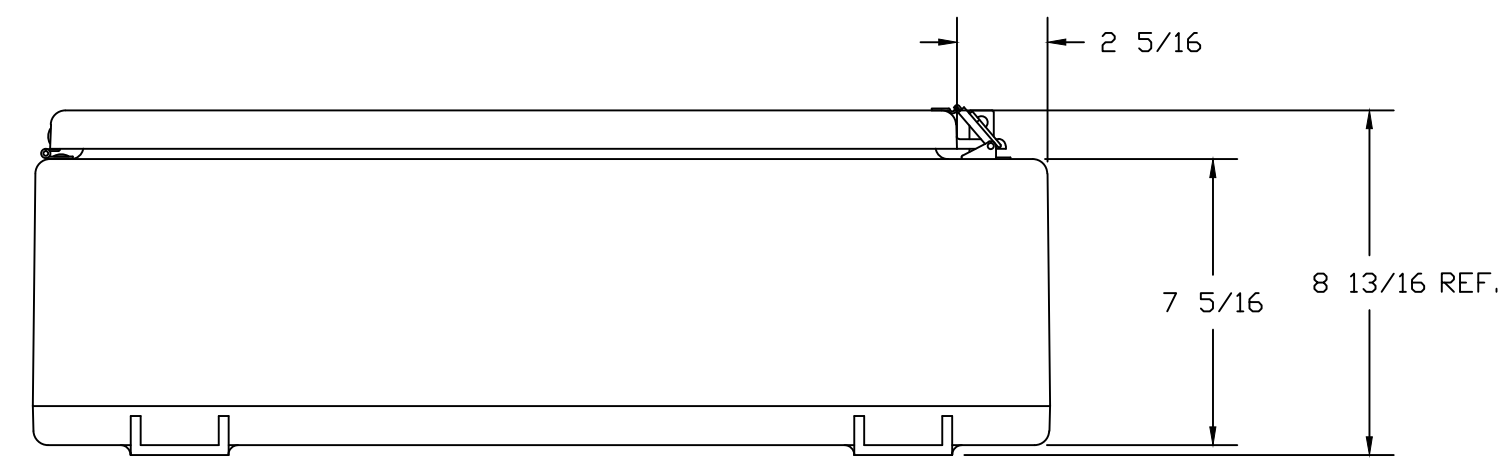


SECTION B-B



SECTION A-A

NOTES:

NEMA 3		TOLERANCES UNLESS SPECIFIED		DECIMAL ±.010	FRACTIONAL ± 1/32
COLOR GLACIER GRAY RR1013					
MATERIAL	F.R. POLYESTER FIBERGLASS	DR. BY	SH	DATE	03/30/92
LET.	REVISION RECORD	DATE	BY	CHD.	CHK. BY
					DATE
					APD. BY
					DATE
					CUSTOMER
					AutoCAD DWG. FILE
					N30247RT
					SCALE DO NOT SCALE
					PART NAME ENCLOSURE
					PART NO. N30247RT

