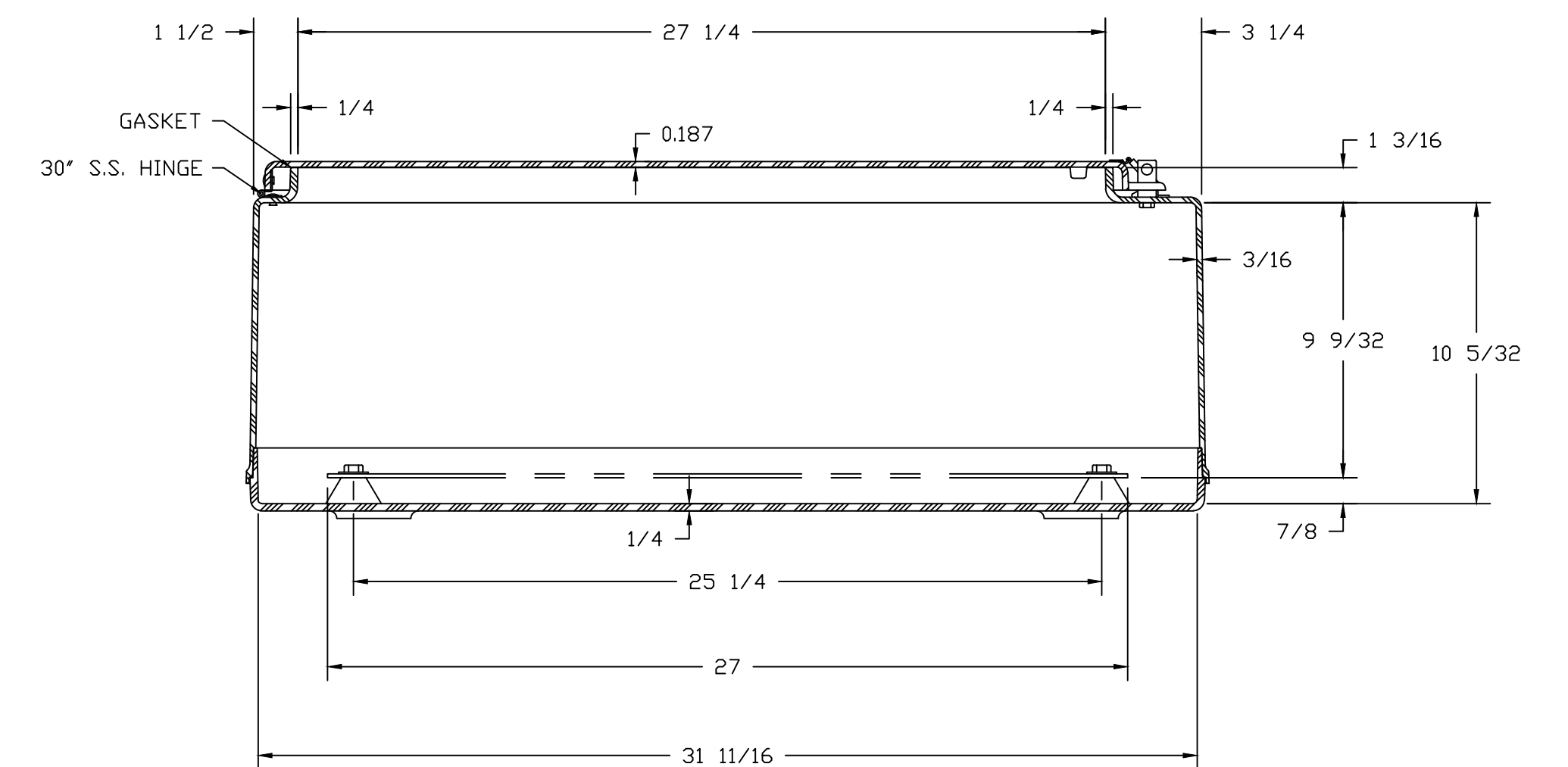
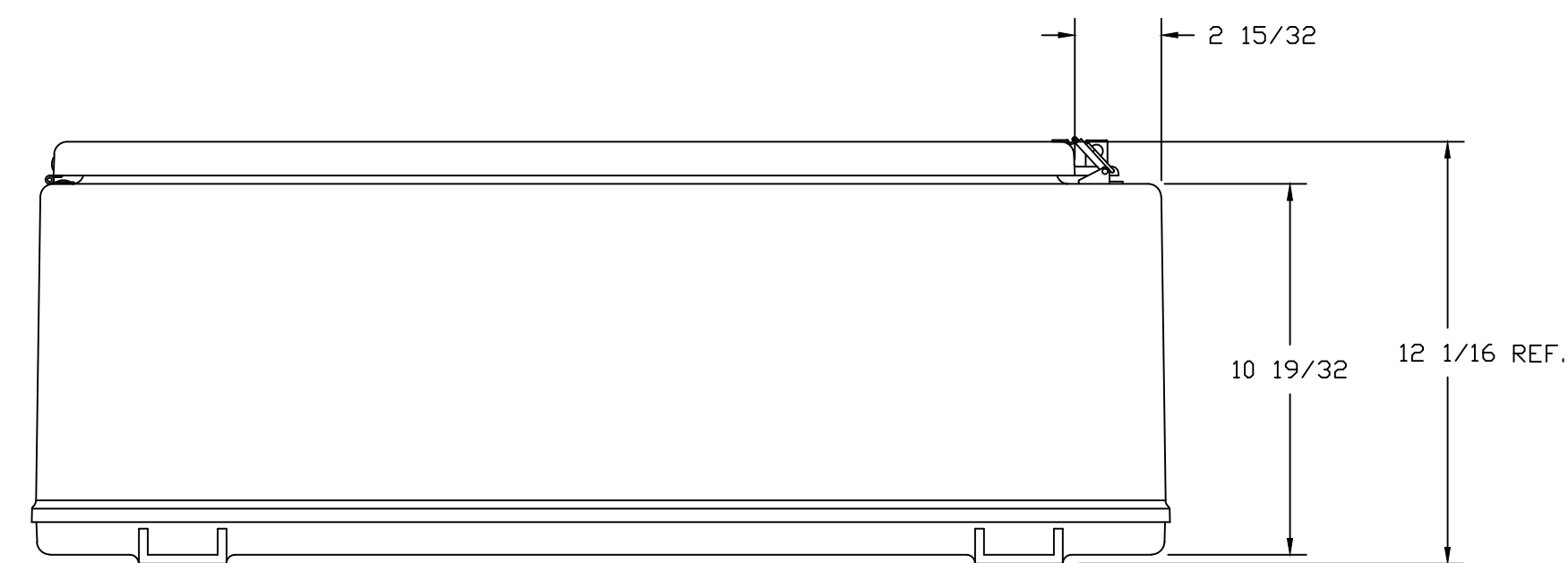



SECTION B-B



SECTION A-A

NOTES:

COLOR GLACIER GRAY RR1013				TOLERANCES UNLESS SPECIFIED		DECIMAL ± .010	FRACTIONAL ± 1/32
NEMA 12							
MATERIAL		DR. BY	DATE	 STAHLIN ENCLOSURES DIVISION OF ROBROY INDUSTRIES BELDING, MICHIGAN 48809			
F.R. POLYESTER FIBERGLASS		GF	05/14/92				
LET.	REVISION RECORD	DATE	BY	CHD.	CHK. BY	DATE	AutoCAD DWG. FILE
					APD. BY	DATE	N363010
				SCALE	PART NAME	PART NO.	
				DO NOT SCALE	ENCLOSURE	N363010	