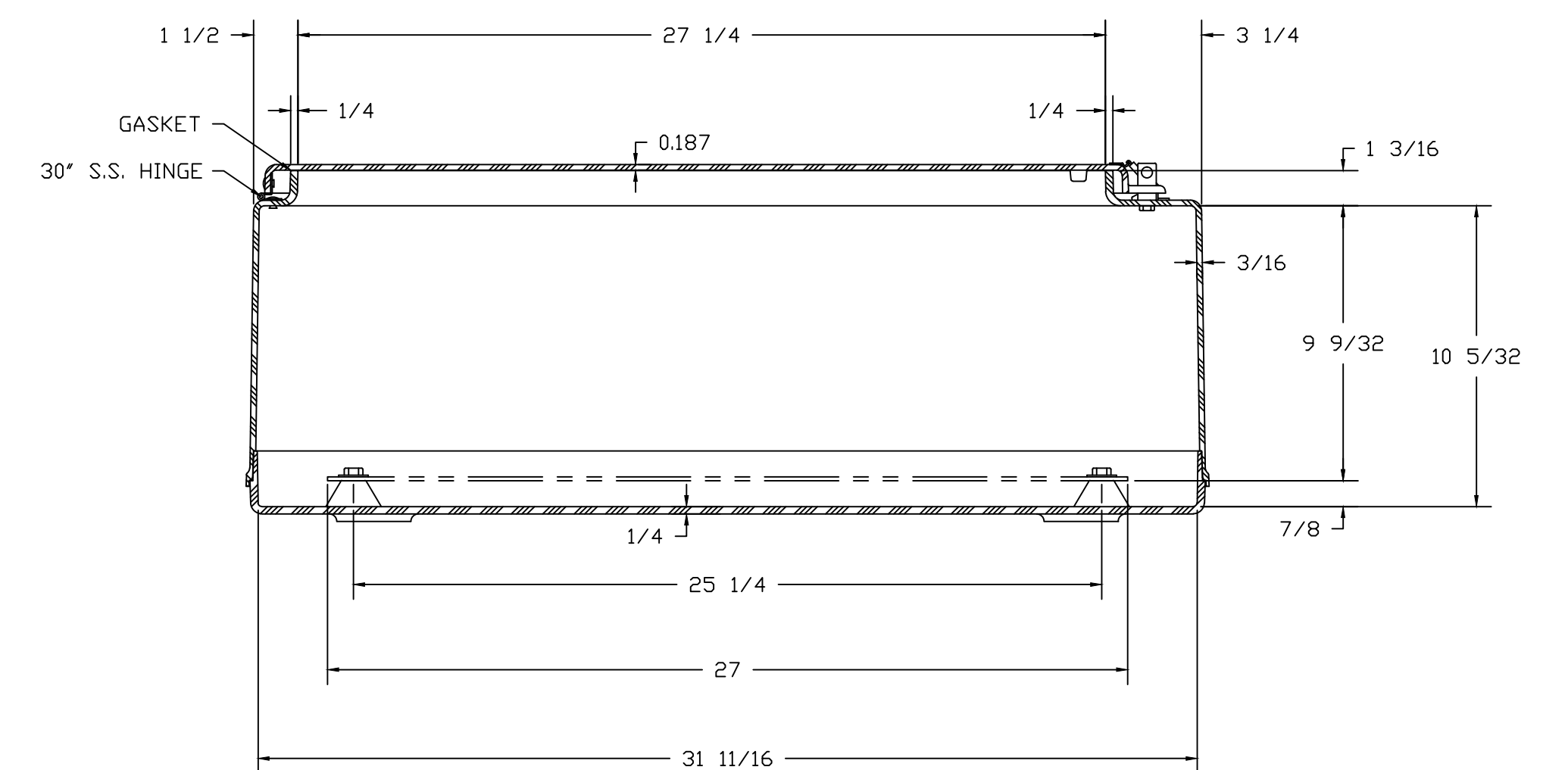



SECTION B-B



SECTION A-A

NOTES:										
COLOR GLACIER GRAY RR1013								TOLERANCES UNLESS SPECIFIED	DECIMAL ± .010	FRACTIONAL ± 1/32
NEMA 4X										
MATERIAL				DR. BY	DATE	 BELDING, MICHIGAN 48809		AutoCAD DWG. FILE N363010HWT		
F.R. POLYESTER FIBERGLASS				GF	05/14/92					
LET.	REVISION RECORD			DATE	BY	CHD.	CHK. BY	DATE		
							APD. BY	DATE	CUSTOMER	
SCALE DO NOT SCALE								PART NAME ENCLOSURE		PART NO. N363010HWT