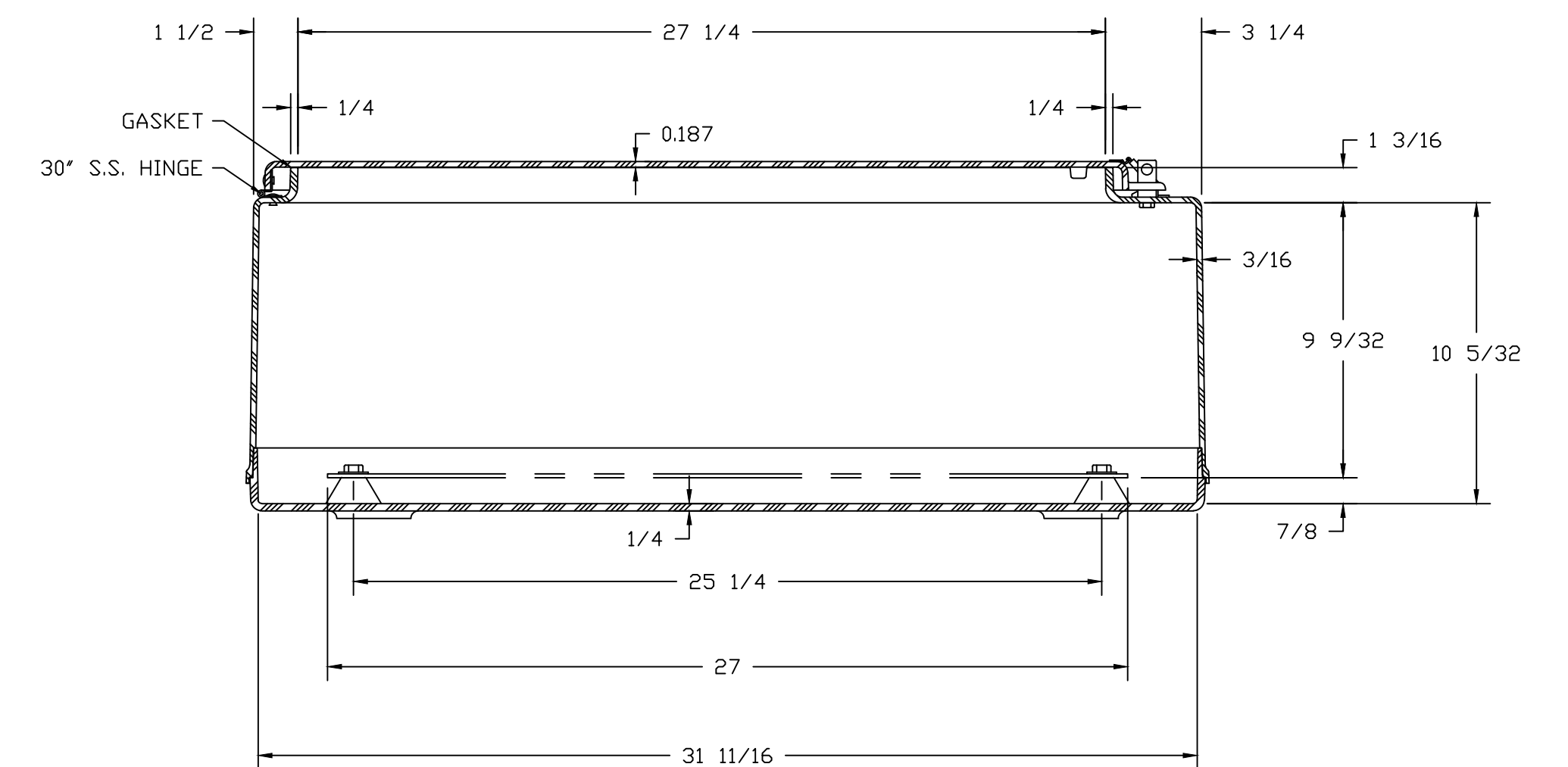
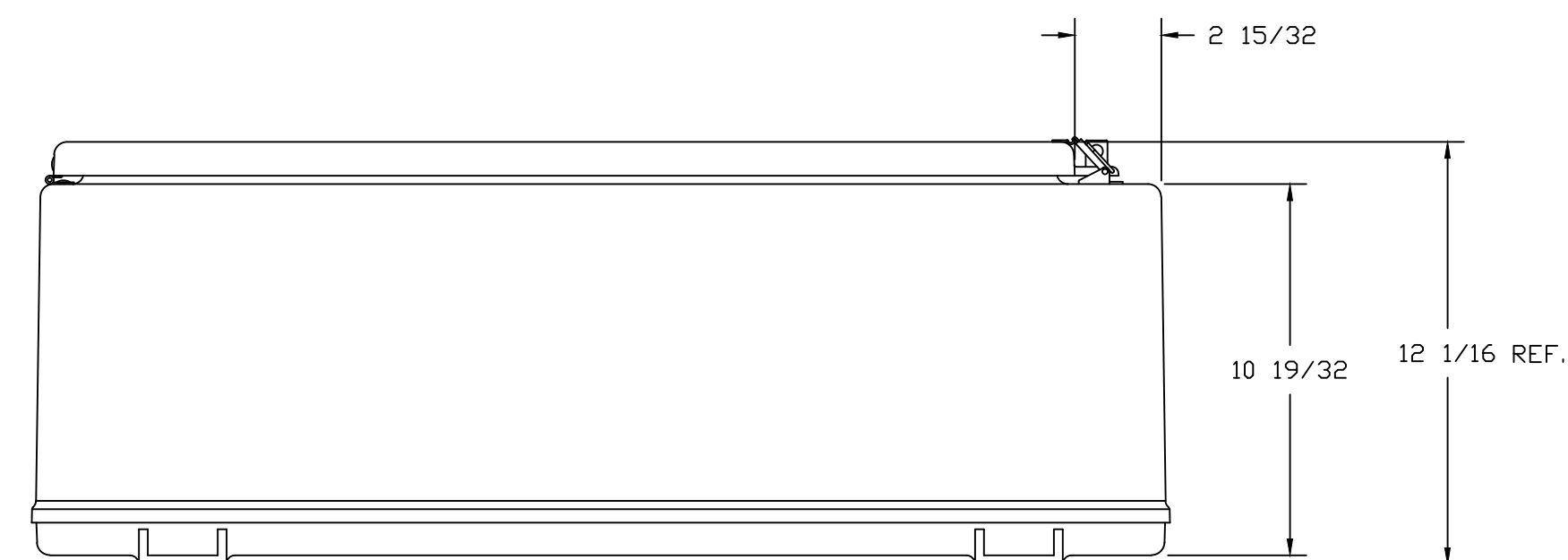



SECTION B-B



SECTION A-A

NOTES:

COLOR GLACIER GRAY RR1013				TOLERANCES UNLESS SPECIFIED		DECIMAL ± .010	FRACTIONAL ± 1/32
NEMA 3R							
MATERIAL F.R. POLYESTER FIBERGLASS				DR. BY GF	DATE 05/14/92	 BELDING, MICHIGAN 48809	
LET.	REVISION RECORD	DATE	BY	CHK. BY	DATE		
				APD. BY	DATE	CUSTOMER	
SCALE DO NOT SCALE				PART NAME ENCLOSURE		PART NO. N363010RT	

AutoCAD DWG. FILE N363010RT