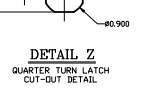
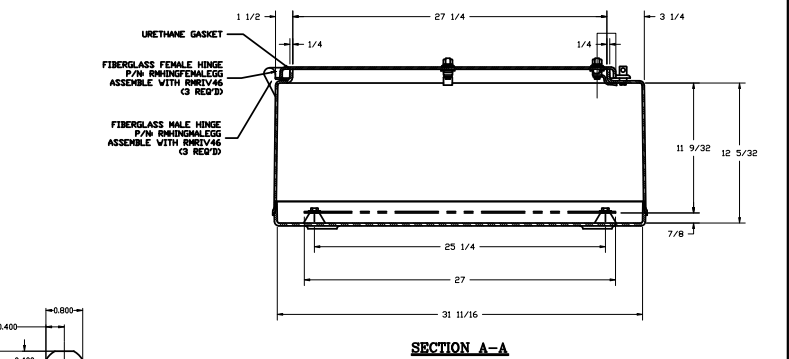
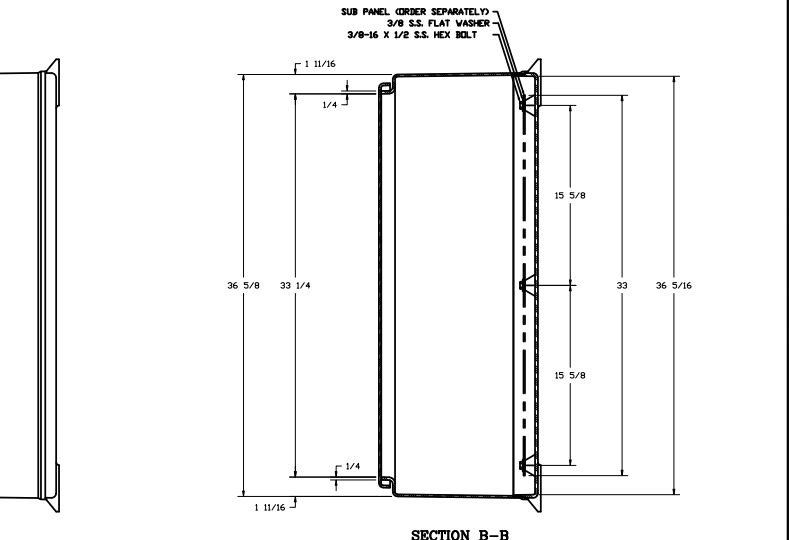
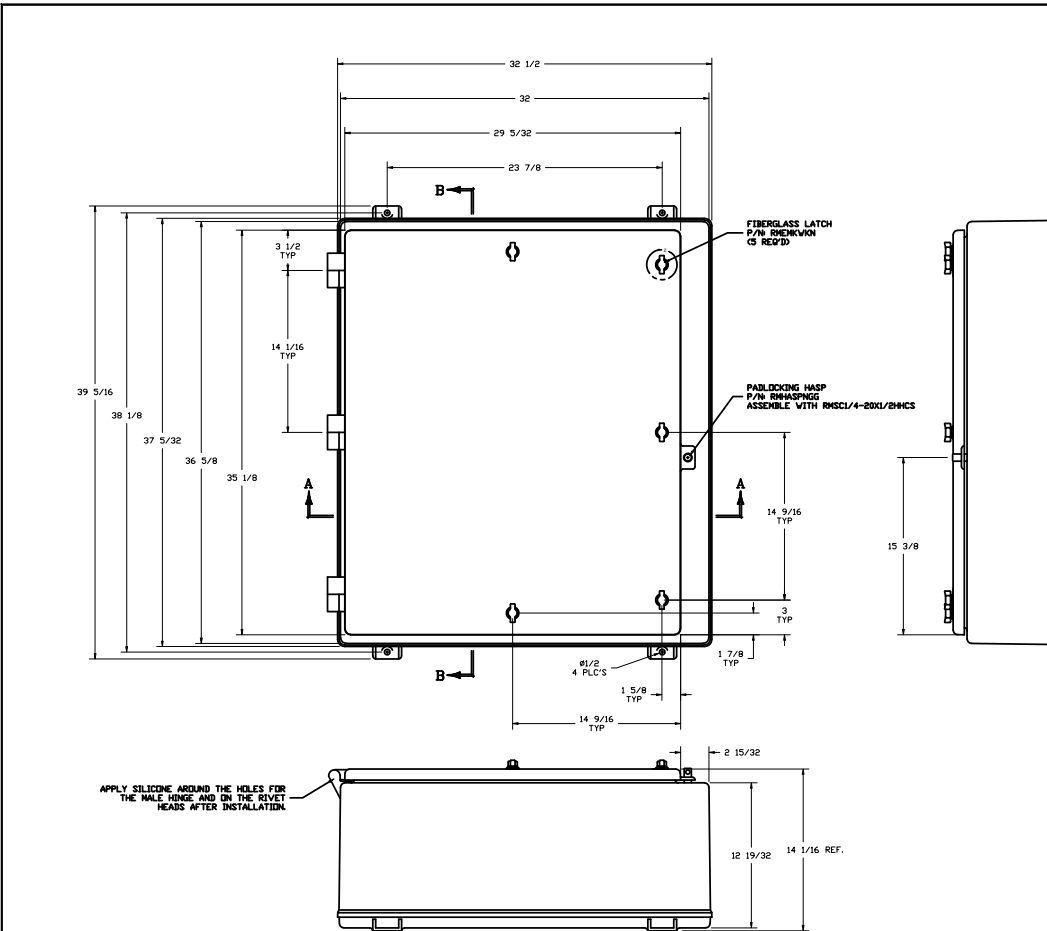


PARTS LIST				PARTS LIST			
ITEM	QTY	PART NUMBER	DESCRIPTION	ITEM	QTY	PART NUMBER	DESCRIPTION
1	1 EA	RMCTN363012	PACKAGING (CARTON)	9	1 EA	WPN363012BOND	BONDED SIDEWALL & BASE
2	4 EA	RMCTN363012	PACKAGING (CORNER PGST)	10	1 EA	WPN363012PCWR	FIBERGLASS COVER
3	1 EA	RMCTN363012INS	PACKAGING (INSERT)	11	15 EA	RMTRV46	HINGE RIVET
4	2 EA	RMCTN24SCDPAD	PACKAGING	12	9 EA	RMWAS36X18X062	MALE HINGE WASHER
5	1 EA	FESPKBRN	SCREW PACK	13	1 EA	RMHASPNGG	HASP PIN
6	5 EA	RMEMKWKVN	QUARTER TURN LATCH	14	1 EA	RMSC14-20X12HHCS	SCREW FOR HASP PIN
7	3 EA	RMHNGFNMALEGG	FEMALE FIBERGLASS HINGE	15	1 EA	RMLAB308	UL LABEL
8	3 EA	RMHNGFNMALEGG	MALE FIBERGLASS HINGE	16	1 EA	RMINGTO	GROUNDING INSTRUCTIONS



INSTALLATION OF QUARTER-TURN LATCHES.

- 1) USE ONLY CERTIFIED QUARTER-TURN ASSEMBLIES. CERTIFIED ASSEMBLIES MUST BE MARKED ON THE CAM FOR TORQUE VERIFICATION.
- 2) INSTALL QUARTER-TURN INTO MOUNTING HOLE CORRECT ORIENTATION.
- 3) OPERATOR #1 TO TORQUE HOUSING NUT TO 70 IN/LBS WITH BREAKING TORQUE WRENCH.
- 4) OPERATOR #1 IS TO MARK COVER VERIFYING THAT HOUSING NUT HAS BEEN TORQUED TO 70 IN/LBS.
- 5) OPERATOR #2 IS TO VERIFY HOUSING NUT TORQUE IS 70 IN/LBS WITH BREAKING TORQUE WRENCH.
- 6) OPERATOR #2 APPLIES SILICONE ACROSS THREADS OF THE HOUSING AND ON TO HOUSING NUT.
- 7) VERIFY DIRECTION OF TURN IS CLOCKWISE TO LOCKING (CLOSED) POSITION.
- 8) ALL QUARTER-TURNS TO BE UNLOCKED BEFORE SHIPPING.

HOUSING NUT TOLERANCE: 65 TO 75 IN/LBS
CAM NUT TOLERANCE: 16 TO 18 IN/LBS

MATERIAL				RATING TYPE: 1, 3, 3R, 4X, 12				TOLERANCES UNLESS SPECIFIED			
LET.	REVISION RECORD	DATE	BY	CHK BY	DATE	DECIMAL	FRACTIONAL				
A	UPDATED HINGES, LATCHES, & BOM	3/15/18	SL			± .010	± 1/32				
MATERIAL: F.R. POLYESTER FIBERGLASS				COLOR: GLACIER GRAY RR3013							
DATE: 10/27/93				DR BY: GF							
DATE: 3/15/18				APR BY: DATE							
SCALE: DO NOT SCALE				PART NAME: ENCLOSURE				PART NO: NS63012FHLV1			

STAHLIN ENCLOSURES
DIVISION OF REBER INDUSTRIES

TEL: 48809

ADDRESS: BELDING, MICHIGAN

FILE: NS63012FHLV1