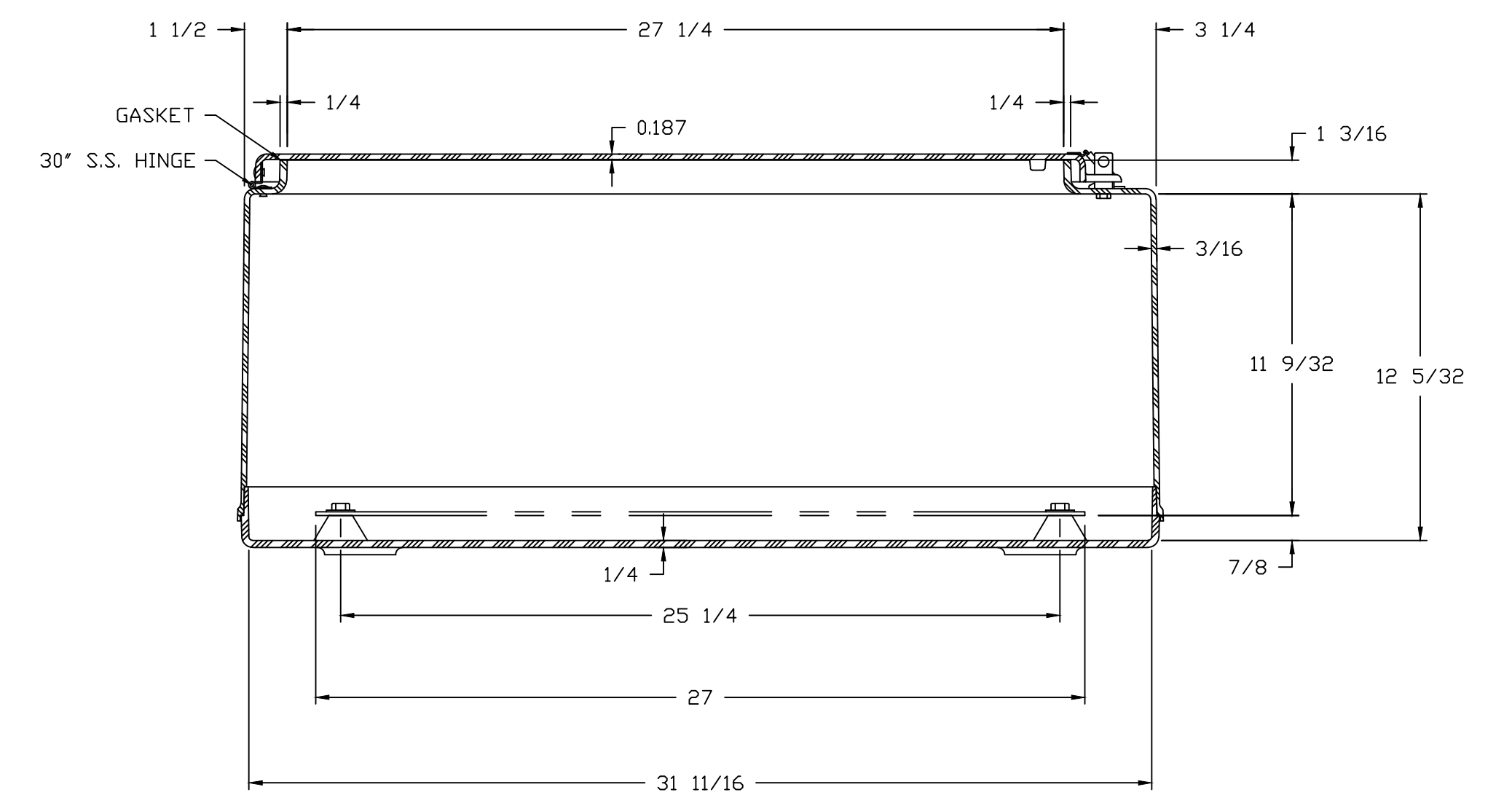
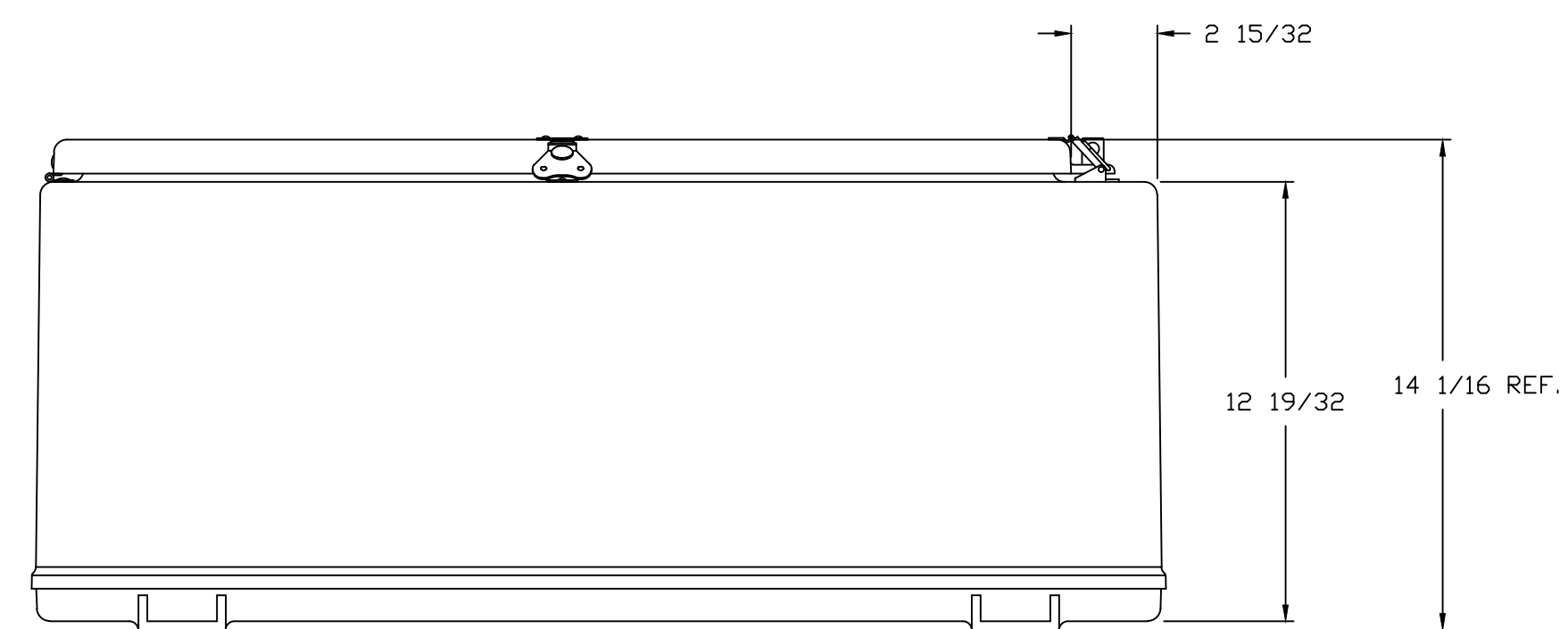



SECTION B-B



SECTION A-A

NOTES:

COLOR GLACIER GRAY RR1013				TOLERANCES UNLESS SPECIFIED		DECIMAL ± .010	FRACTIONAL ± 1/32
NEMA 4X							
MATERIAL		DR. BY	DATE	 STAHLIN ENCLOSURES DIVISION OF ROBROY INDUSTRIES			
F.R. POLYESTER FIBERGLASS		SH	05/14/92				
LET.	REVISION RECORD	DATE	BY	CHK. BY	DATE	BELDING, MICHIGAN 48809	
				APD. BY	DATE	CUSTOMER	
				SCALE		PART NAME	PART NO.
				DO NOT SCALE		ENCLOSURE	N363012HWT