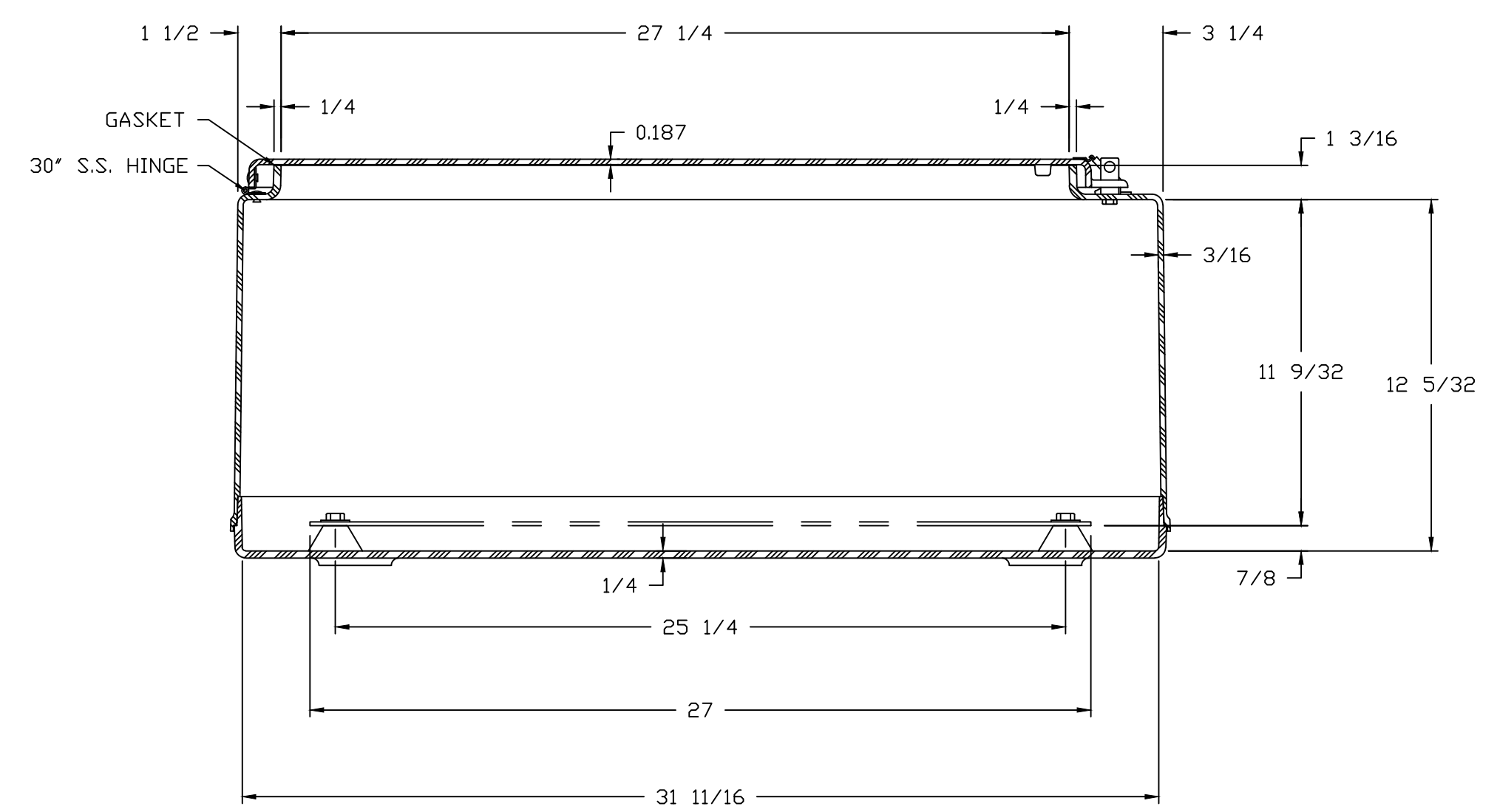
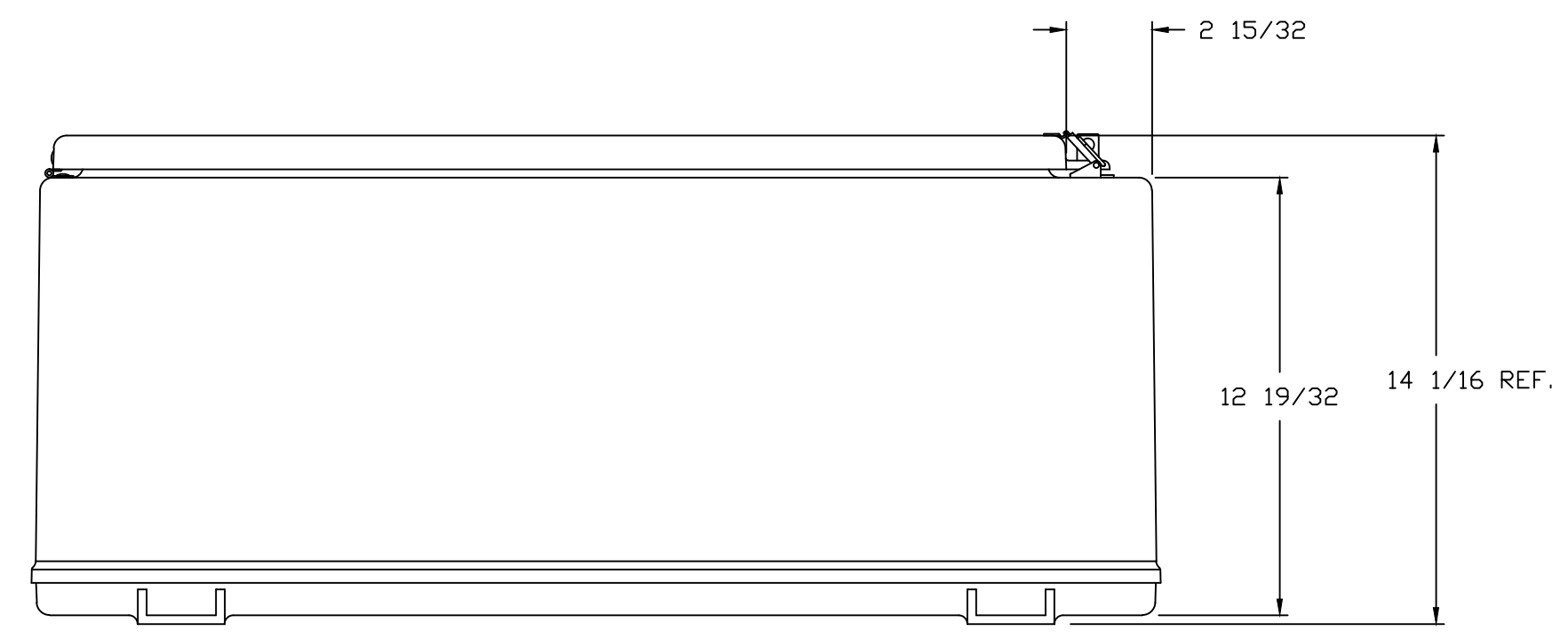



SECTION B-B



SECTION A-A

NOTES:

COLOR: GLACIER GRAY RR1013				TOLERANCES UNLESS SPECIFIED		DECIMAL ± .010	FRACTIONAL ± 1/32
NEMA 3							
MATERIAL: F.R. POLYESTER FIBERGLASS				DR. BY: GF	DATE: 05/14/92	 <b>STAHLIN ENCLOSURES</b> DIVISION OF ROBROY INDUSTRIES	
LET. REVISION RECORD				CHK. BY:	DATE:		
				APD. BY:	DATE:	AutoCAD DWG. FILE N363012RT	
				SCALE: DO NOT SCALE		PART NAME: ENCLOSURE	PART NO.: N363012RT