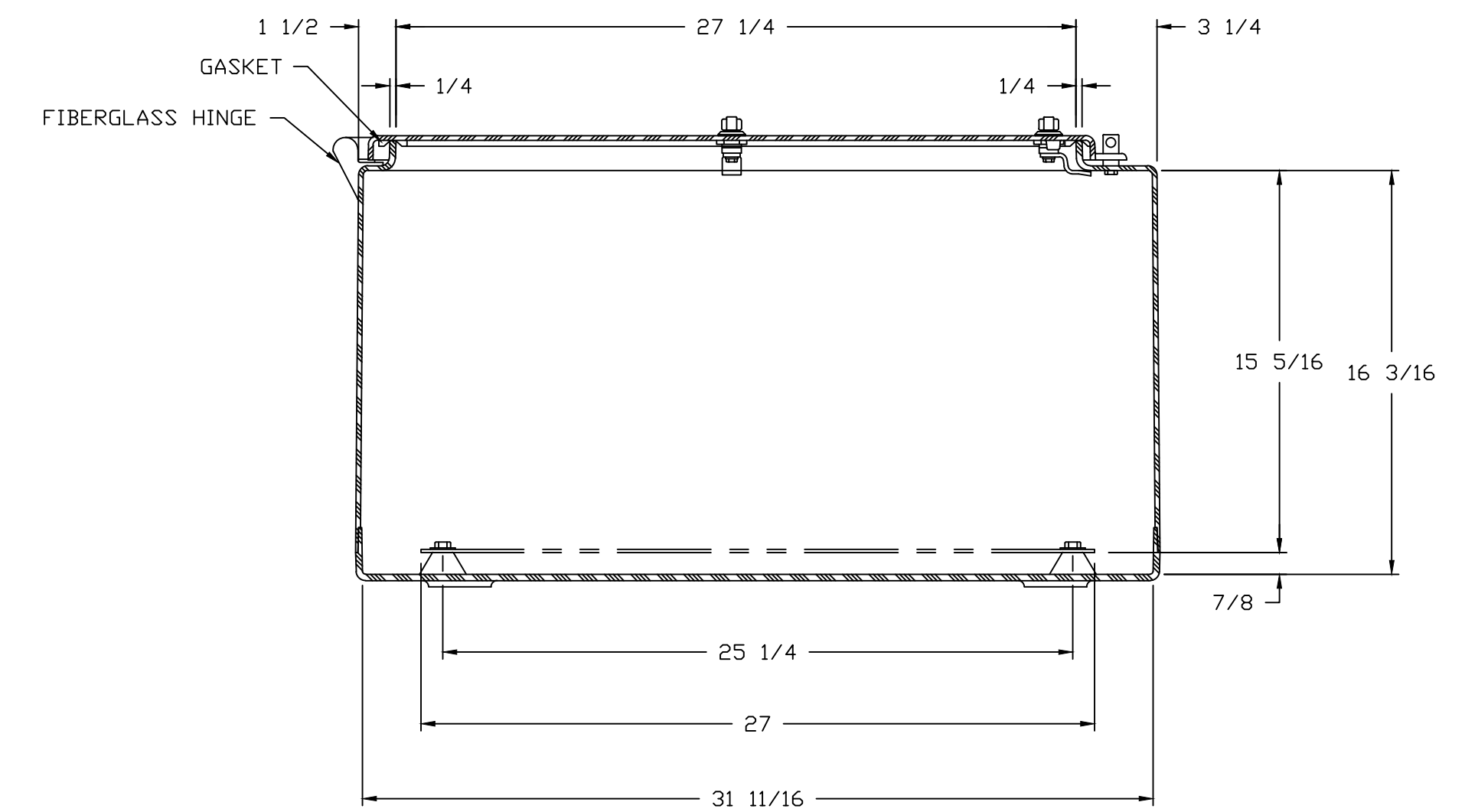
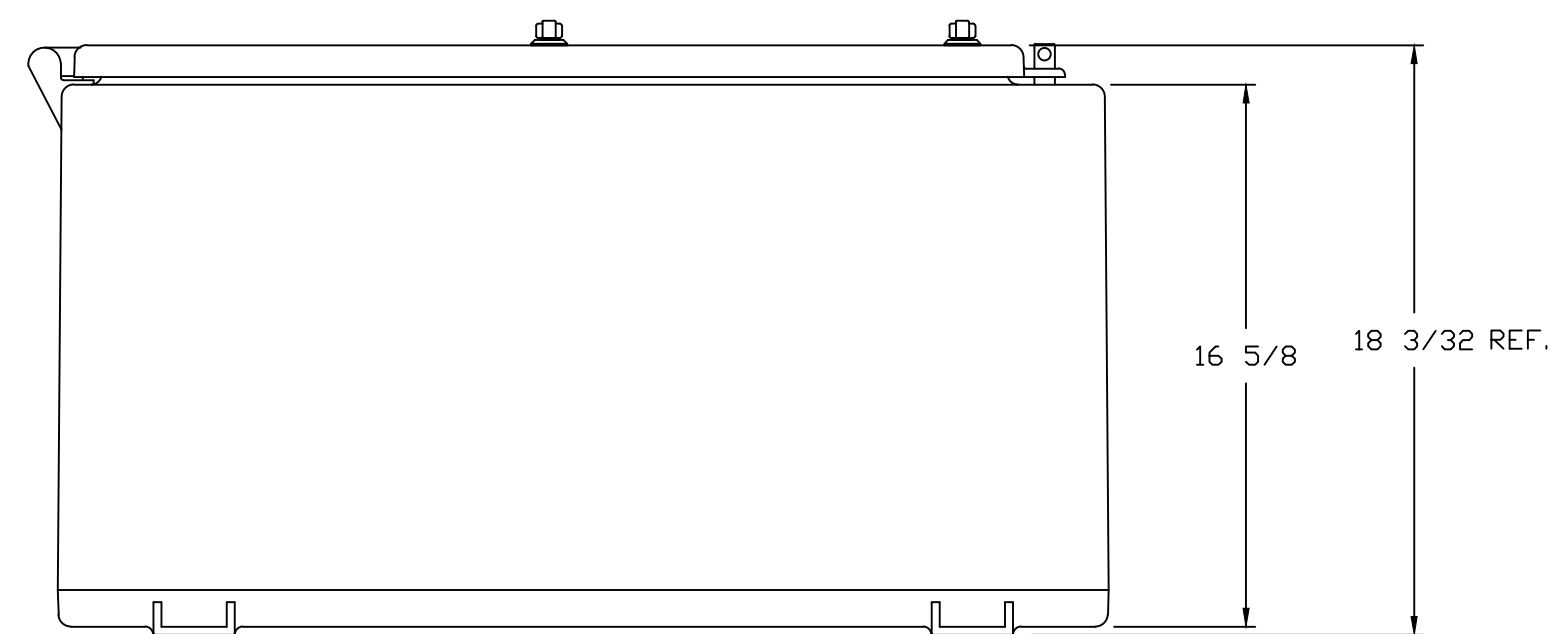



SECTION B-B



SECTION A-A

NOTES:

INTERIOR & EXTERIOR COLOR GLACIER GRAY						TOLERANCES UNLESS SPECIFIED		DECIMAL ± .010	FRACTIONAL ± 1/32
NEMA 4X									
MATERIAL F.R. POLYESTER FIBERGLASS				DR. BY GF	DATE 5/14/92	 BELDING, MICHIGAN 48809			
REVISION RECORD				CHK. BY	DATE				
LET.	DATE	BY	CHD.	APD. BY	DATE	CUSTOMER		AutoCAD DWG. FILE N363016FHLWT	
				SCALE DO NOT SCALE		PART NAME ENCLOSURE		PART NO. N363016FHLWT	