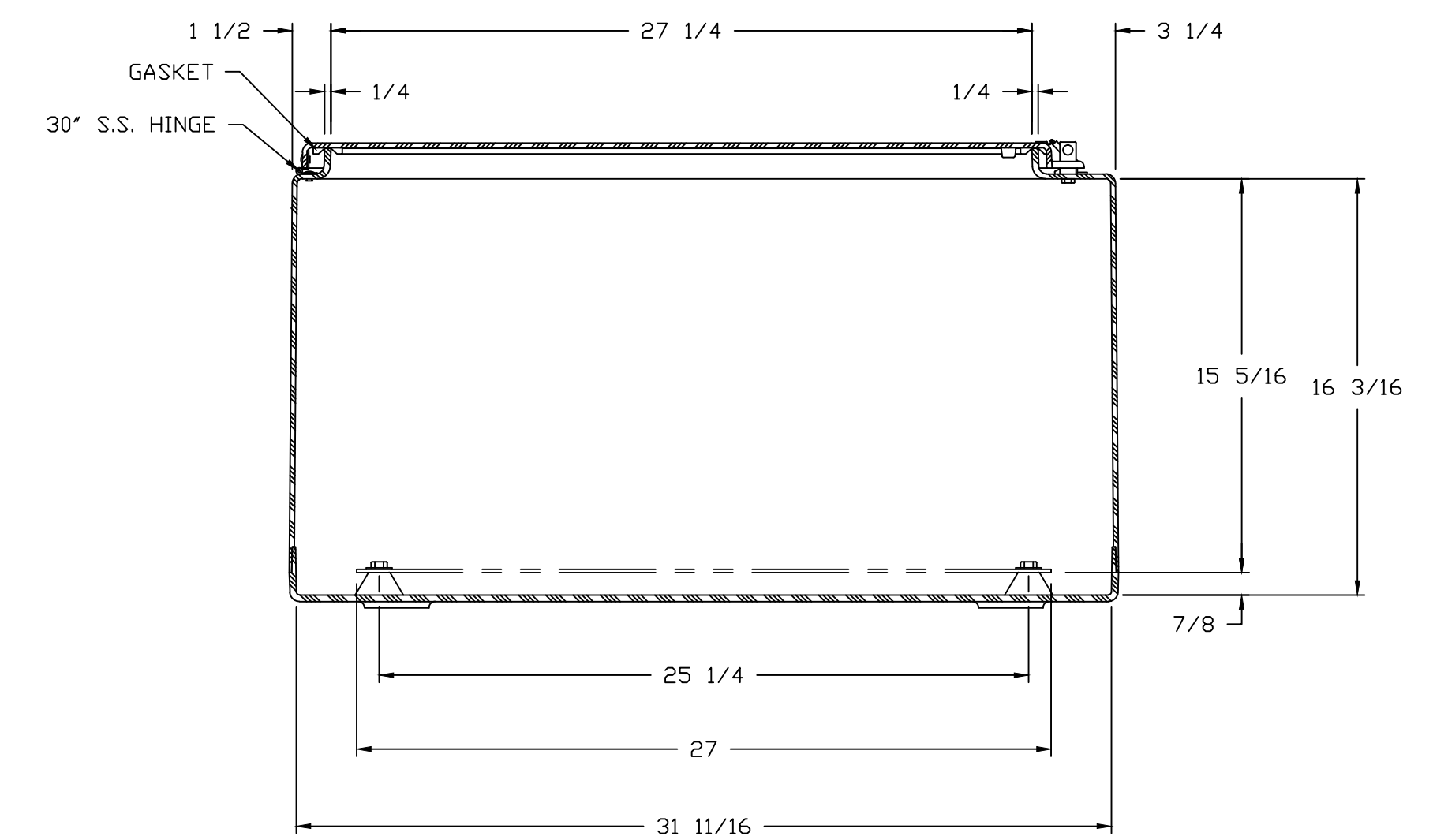
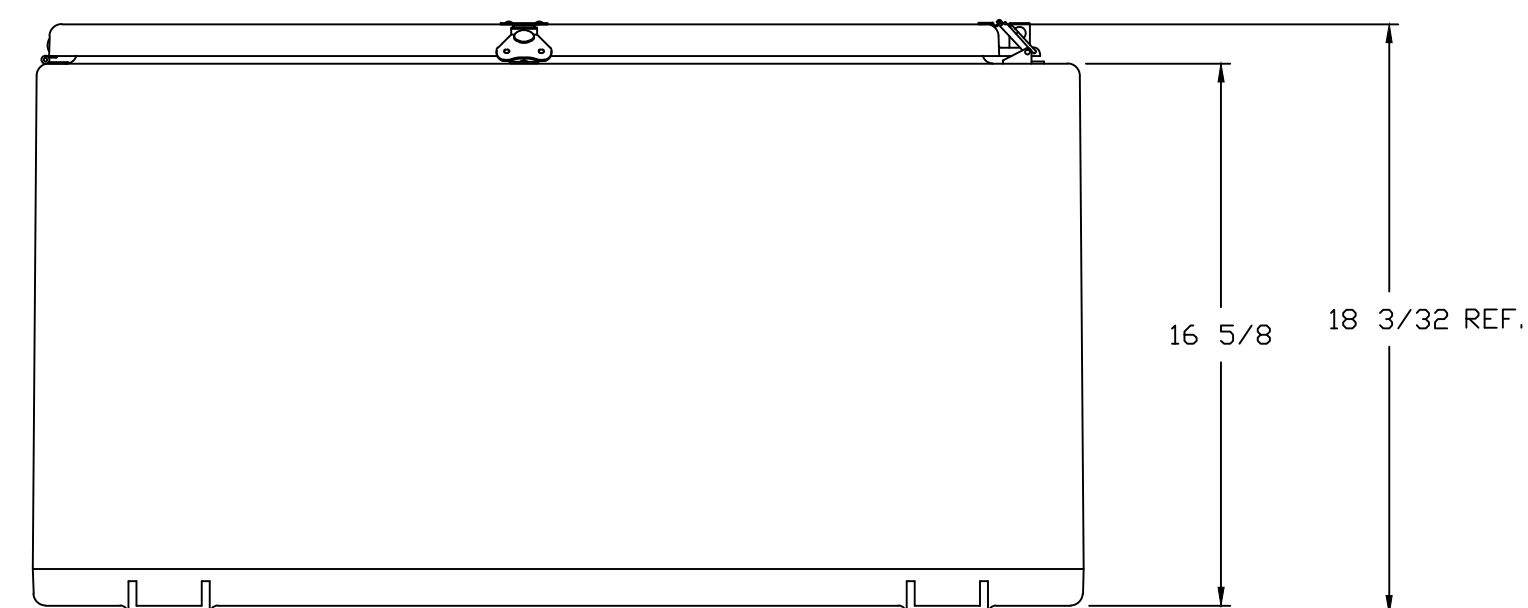



SECTION B-B



SECTION A-A

NOTES:

INTERIOR & EXTERIOR COLOR GLACIER GRAY						TOLERANCES UNLESS SPECIFIED		DECIMAL ± .010	FRACTIONAL ± 1/32
NEMA 4X									
MATERIAL				DR. BY	DATE	 BELDING, MICHIGAN 48809			
F.R. POLYESTER FIBERGLASS				SH	5/14/92				
LET.	REVISION RECORD			DATE	BY	CHD.	CHK. BY	DATE	AutoCAD DWG. FILE
							APD. BY	DATE	N363016HWT
				SCALE		PART NAME		PART NO.	
				DO NOT SCALE		ENCLOSURE		N363016HWT	