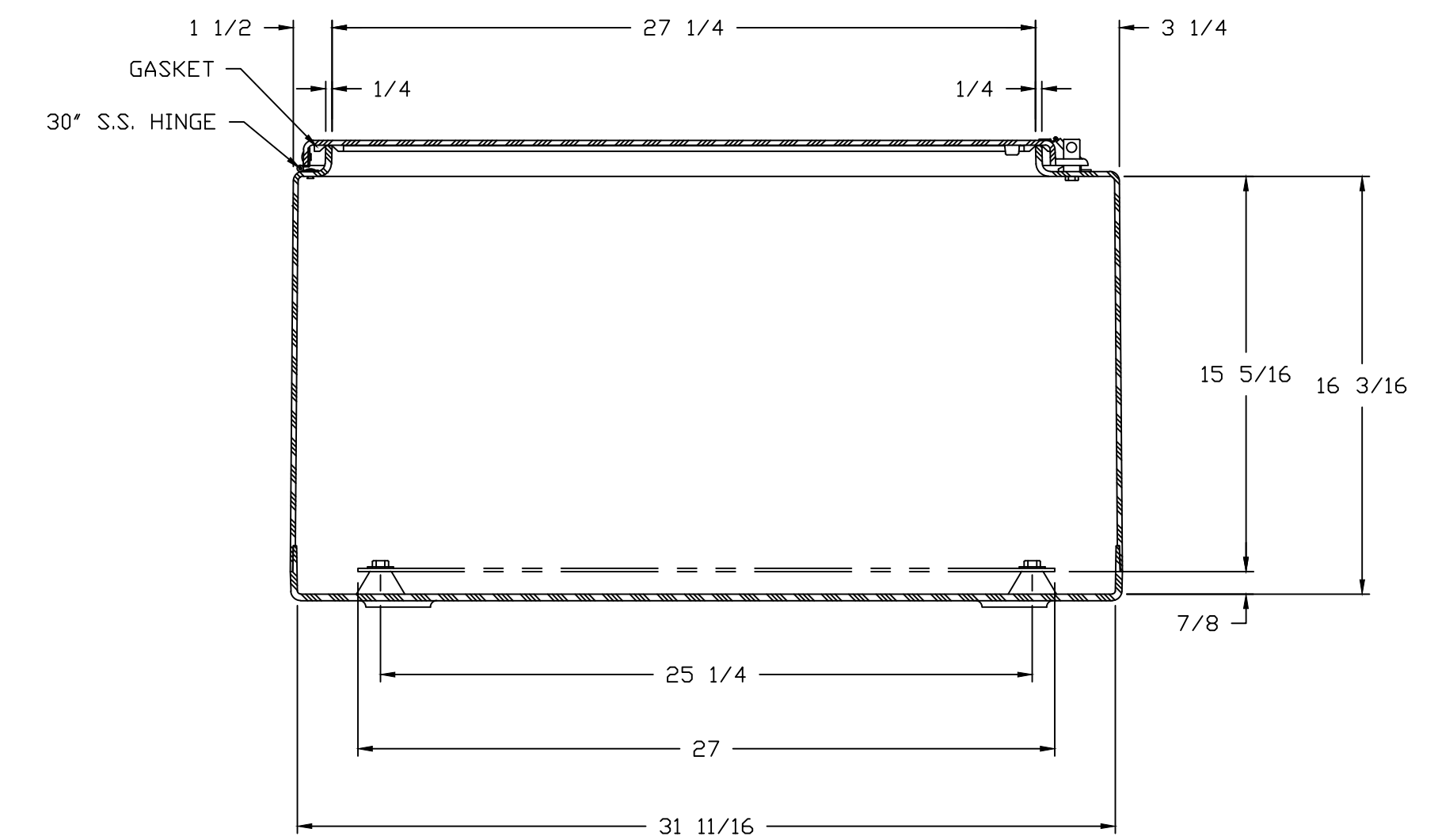
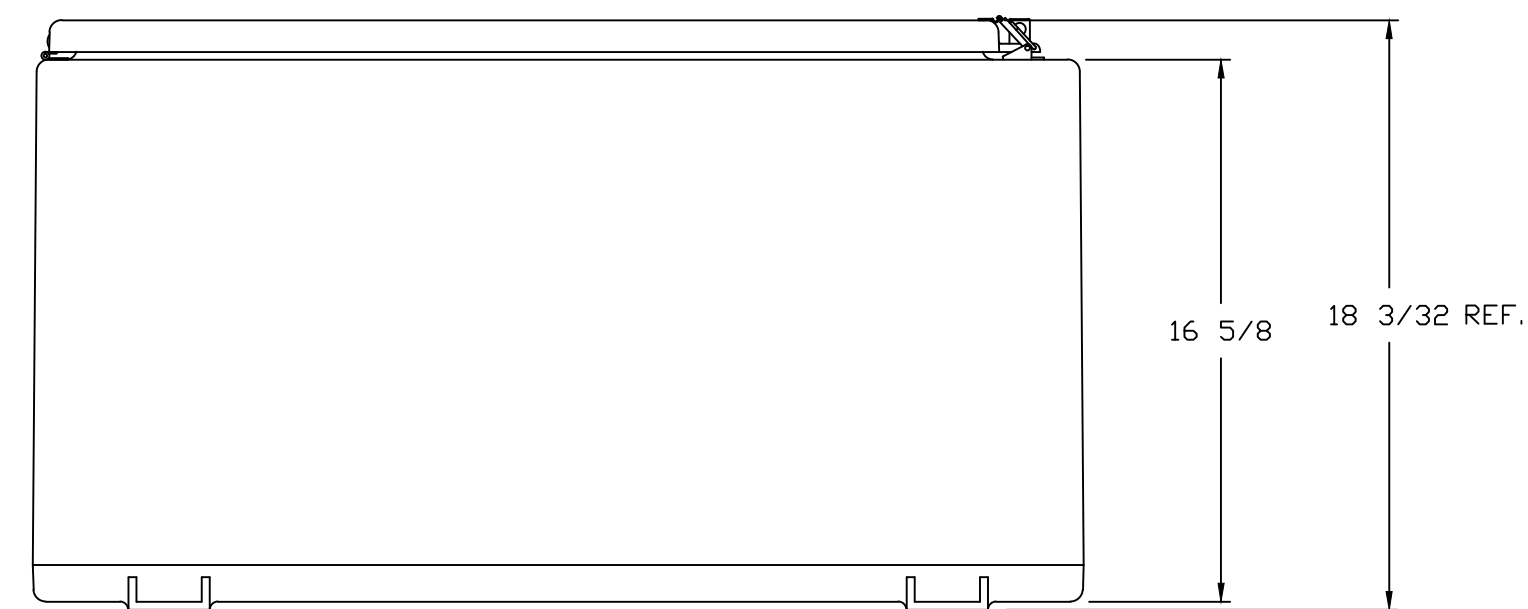



SECTION B-B



SECTION A-A

NOTES:

INTERIOR & EXTERIOR COLOR GLACIER GRAY						TOLERANCES UNLESS SPECIFIED		DECIMAL ± .010	FRACTIONAL ± 1/32
NEMA 3R									
MATERIAL F.R. POLYESTER FIBERGLASS				DR. BY SH	DATE 5/14/92	 BELDING, MICHIGAN 48809			
LET.	REVISION RECORD	DATE	BY	CHK. BY	DATE				
				APD. BY	DATE	CUSTOMER		AutoCAD DWG FILE N363016RT	
SCALE DO NOT SCALE				PART NAME ENCLOSURE		PART NO. N363016RT			