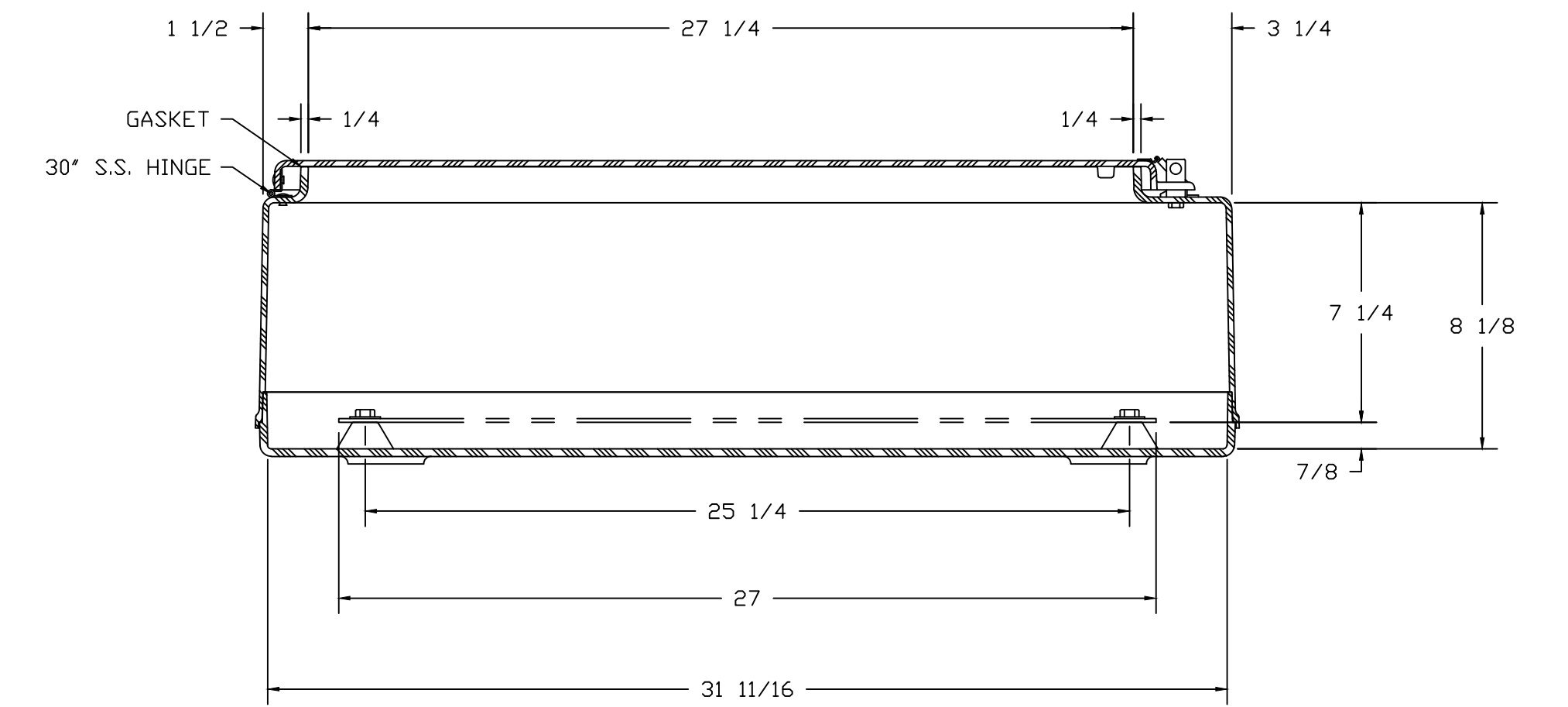
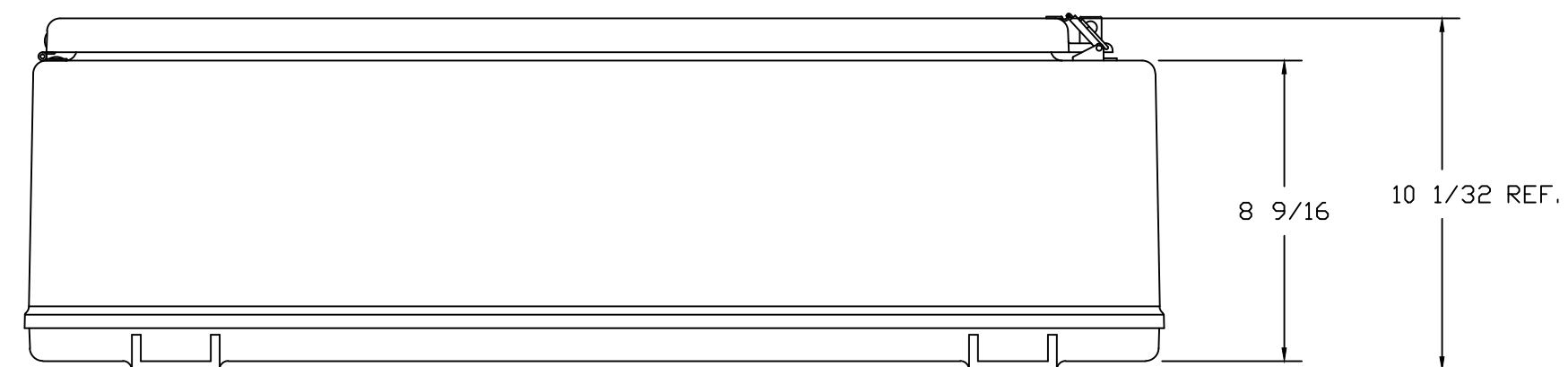



SECTION B-B



SECTION A-A

NOTES:

COLOR: GLACIER GRAY RR1013						TOLERANCES UNLESS SPECIFIED		DECIMAL ± .010	FRACTIONAL ± 1/32
MATERIAL: NEMA 12						DR. BY: GF	DATE: 10/27/93	 BELDING, MICHIGAN 48809	
MATERIAL: F.R. POLYESTER FIBERGLASS						CHK. BY:	DATE:		
LET.	REVISION RECORD	DATE	BY	CHD.	APD. BY	DATE	CUSTOMER	AutoCAD DWG. FILE: N36308	
SCALE: 100 NOT SCALE						PART NAME: ENCLOSURE		PART NO.: N36308	