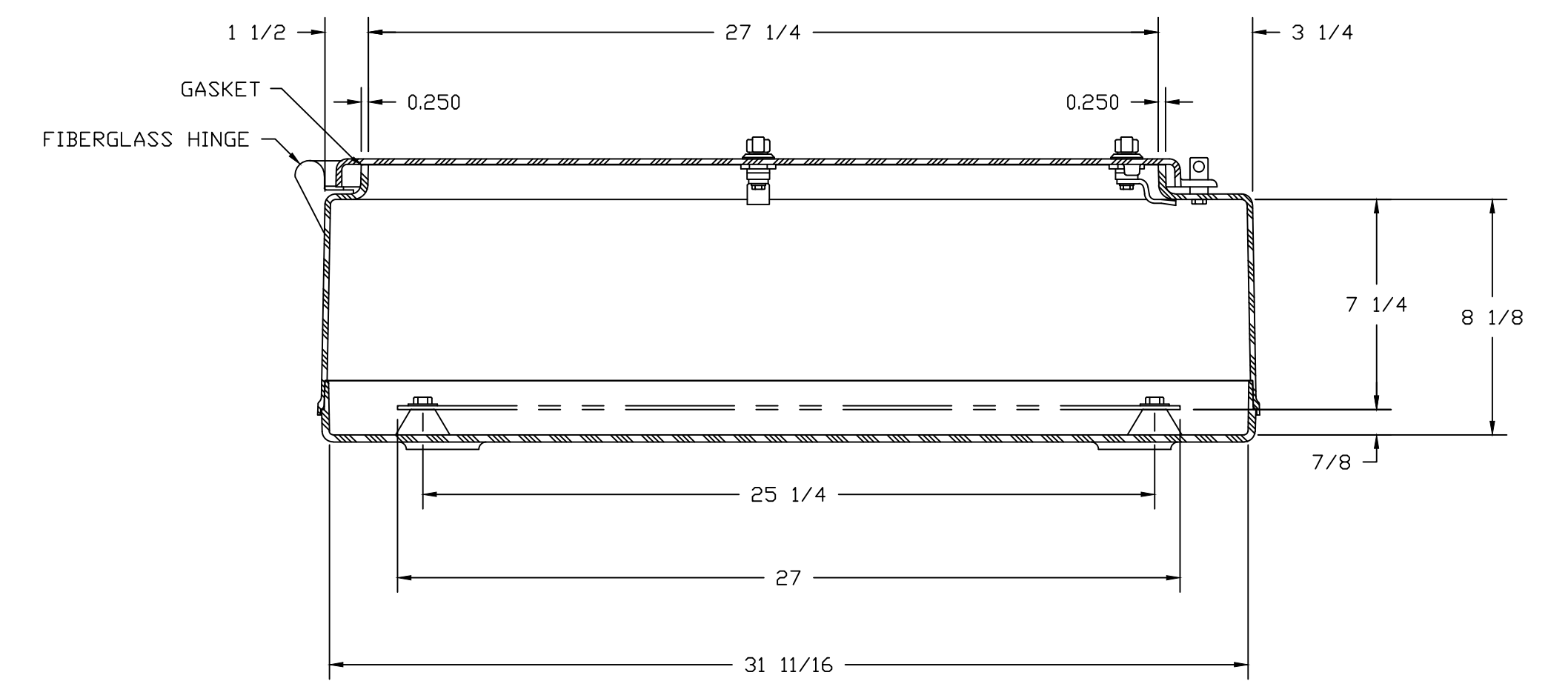
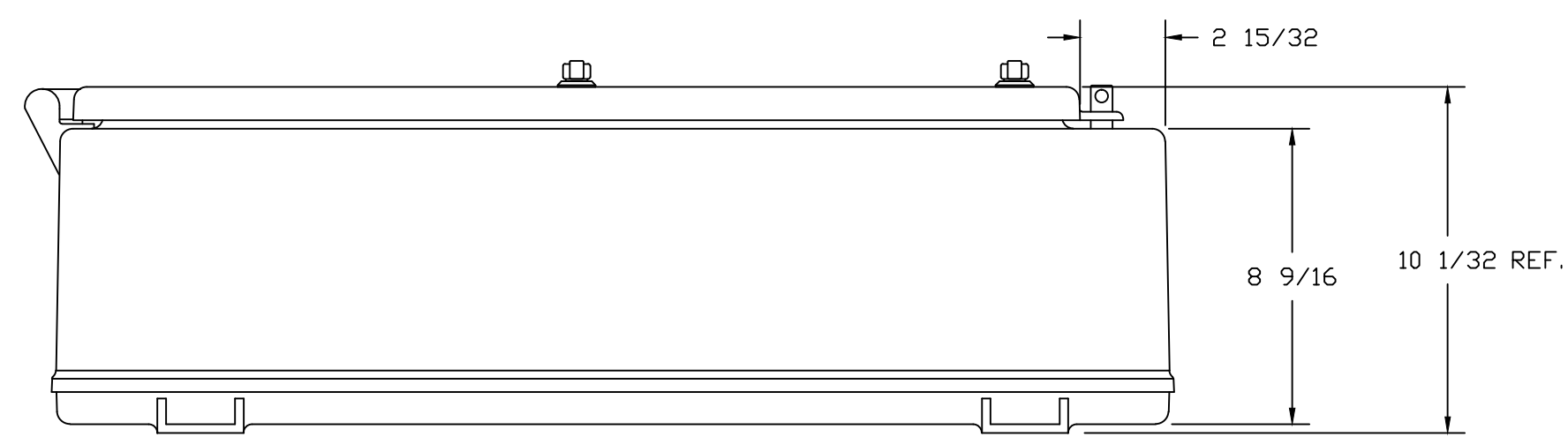



SECTION B-B



SECTION A-A

NOTES:

COLOR: GLACIER GRAY RR1013		TOLERANCES UNLESS SPECIFIED		DECIMAL ± .010	FRACTIONAL ± 1/32			
MATERIAL NEMA 4X		DR. BY GF	DATE 10/27/93	 STAHLIN ENCLOSURES DIVISION OF ROBROY INDUSTRIES				
MATERIAL F.R. POLYESTER FIBERGLASS		CHK. BY	DATE					
LET.	REVISION RECORD	DATE	BY	CHD.	APD. BY	DATE	CUSTOMER	AutoCAD DWG. FILE N36308FHLWT
SCALE DO NOT SCALE		PART NAME ENCLOSURE		PART NO. N36308FHLWT		BELDING, MICHIGAN 48809		