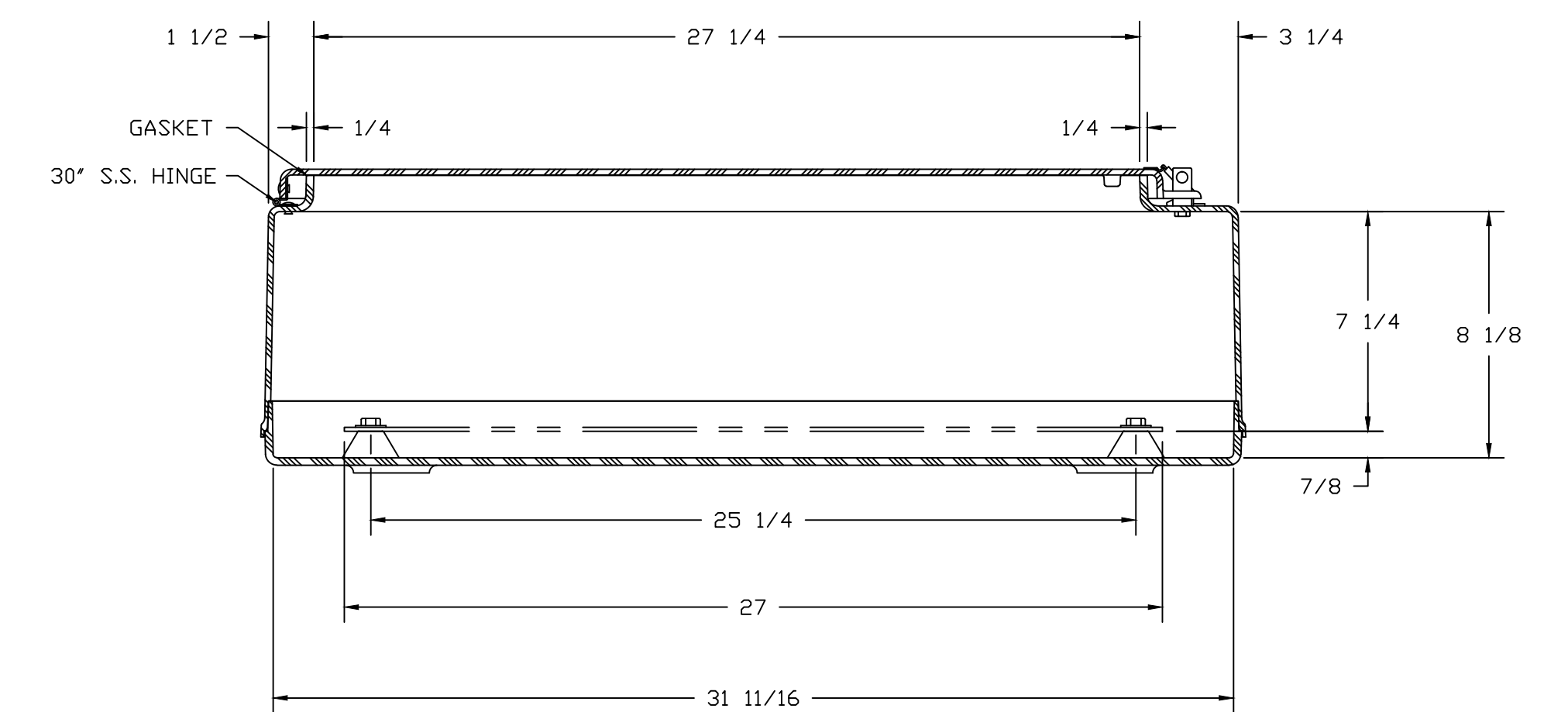
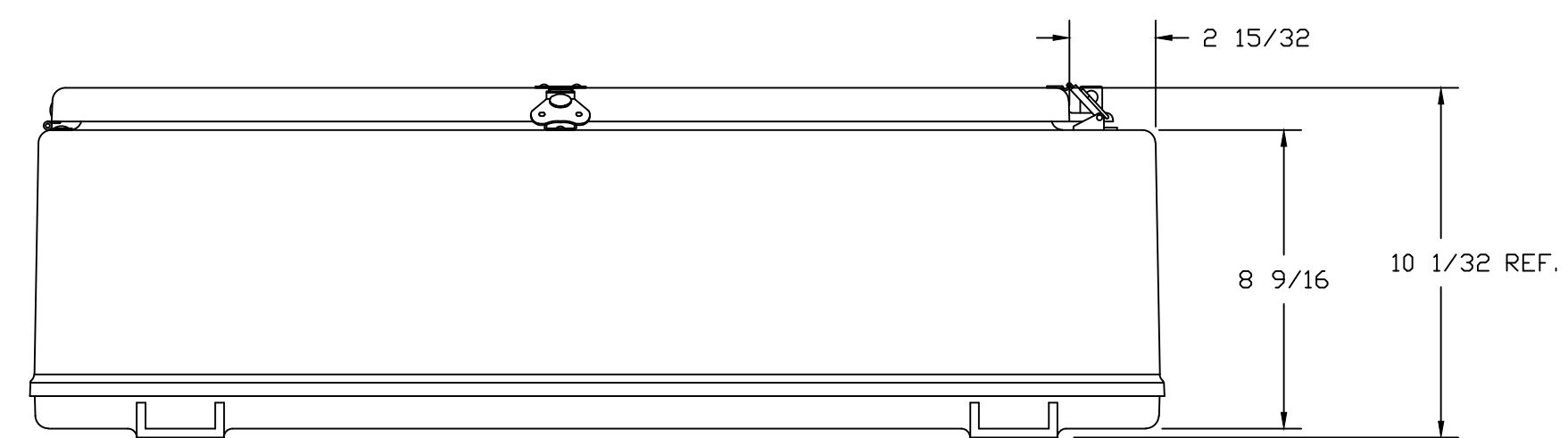



SECTION B-B



SECTION A-A

COLOR: GLACIER GRAY RR1013										TOLERANCES UNLESS SPECIFIED		DECIMAL ± .010	FRACTIONAL ± 1/32
NEMA 4X													
MATERIAL: F.R. POLYESTER FIBERGLASS					DR. BY: GF	DATE: 10/27/93	 STAHLIN ENCLOSURES DIVISION OF ROBROY INDUSTRIES		BELDING, MICHIGAN 48809				
LET.	REVISION RECORD	DATE	BY	CHD.	CHK. BY	DATE			CUSTOMER		AutoCAD DWG. FILE: N36308HWT		
					APD. BY	DATE	SCALE: DO NOT SCALE		PART NAME: ENCLOSURE	PART NO.: N36308HWT			